

VERTICAL BIKE LOCKER

BASE INSTRUCTIONS

Flat and firm base. Recommended: concrete, tarmac or paving flags.
 Min. distance from walls/ shrubbery: 1000mm.
 Min. base size (WxDxH) 880mm x 1200mm x 50mm.

LEVELING THE UNIT

Correctly level the constructed unit using the shims (ZCOMPPLAS) provided prior to fixing the unit to the ground. Slide the packing pieces under the corners of the unit base as required until an equal gap has been achieved around the door allowing for its smooth operation and alignment.

It is always recommended to anchor the unit in to the ground. Drill through the four holes in the base of the unit using 6mm dia masonry drill to a depth of 70mm. Screw in the anchor fixings. (These have a self cutting thread). If not anchoring the unit, fit the self seal plugs BEFORE BUILDING to block the fixing holes from underneath. Additional ZHWNUT41 and ZSCREW43 have been supplied for bolting 2 units together using the side panels.

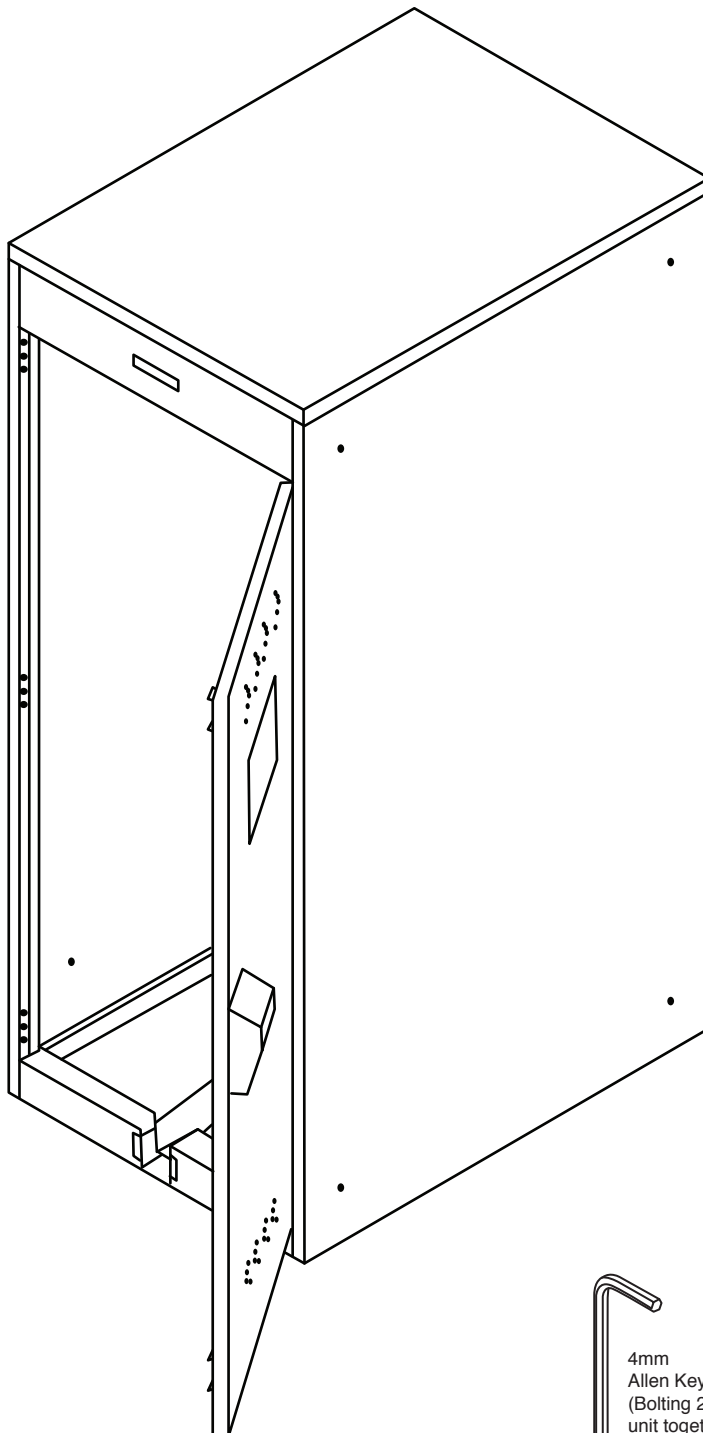
TOOLS REQUIRED

Power driver POSI-DRIV screwdriver, 6mm dia. masonry drill and a 10mm socket or spanner.



Warning: Unit weighs 132Kg
 Beware of manual handling

VERTICAL BIKE LOCKER ASGVBLRH
 (SHOWN) OR ASGVBLRH X1



ZSCREW32 x4



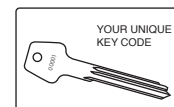
ZCOMPPLAS22-23-24 x9
 3x 2mm, 3x 3mm, 3x 5mm



ZHWNUT41 X4



ZSCREW43 x4



Warning: Please keep this key card safe! Refer to if replacement key is required.



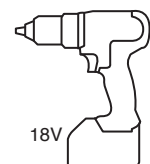
4mm
 Allen Key
 (Bolting 2
 unit together)



6mm
 Dia.



10mm
 Spanner

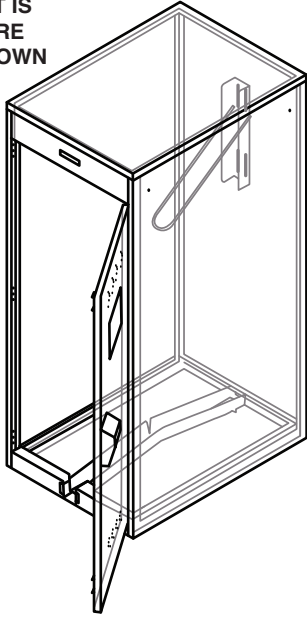


18V



x2

1! ENSURE UNIT IS
LEVEL BEFORE
SECURING DOWN



2

