

Asqara



storage for life

ATV / Quad Bike Storage

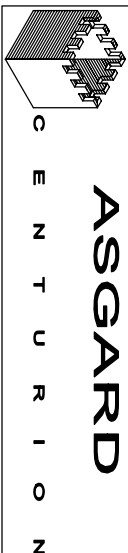
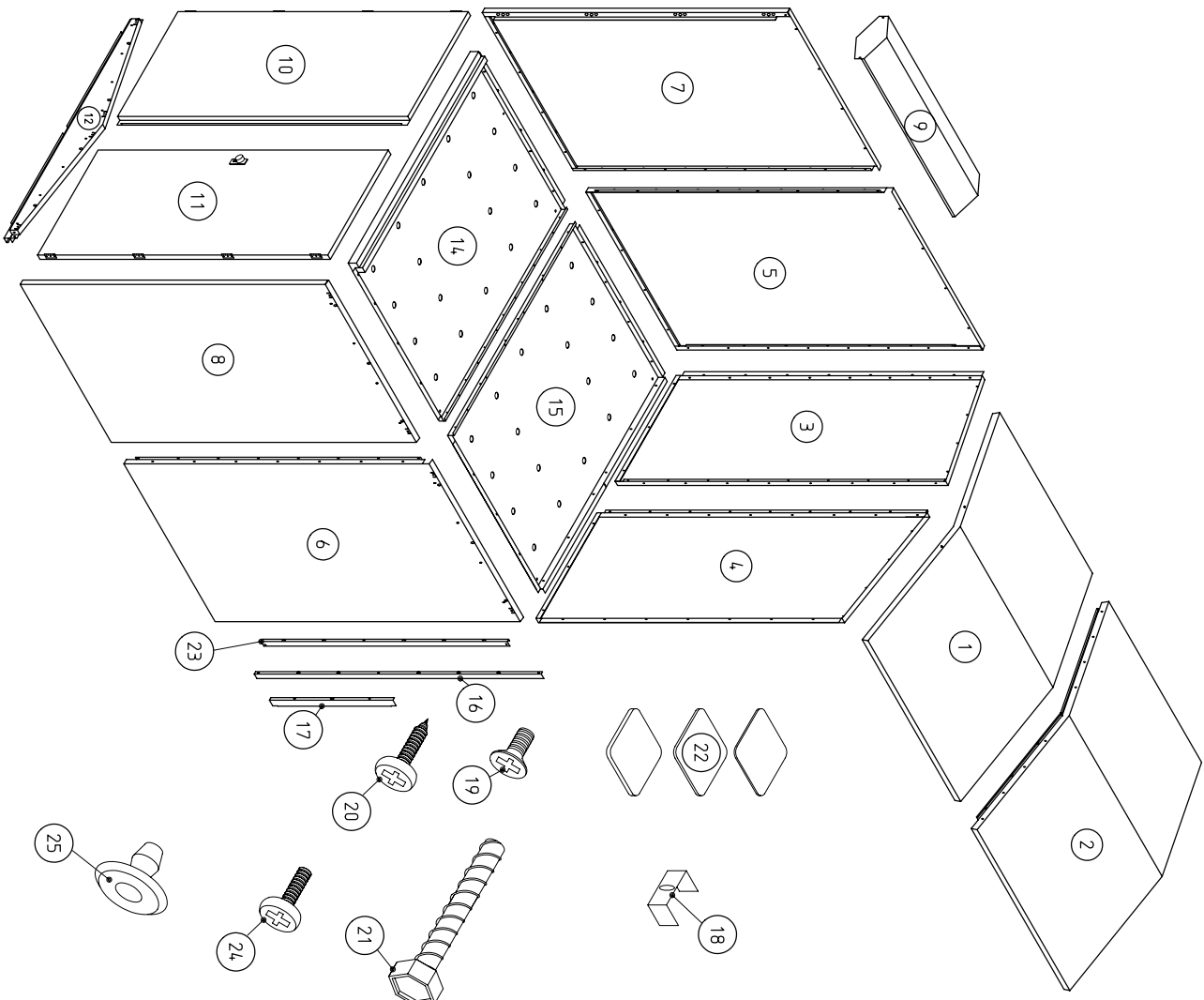


Assembly Instructions

ASGARD 'CENTURION'
PACK CONTENTS:

ITEM NO	PART DESCRIPTION	QTY
1	3298A FRONT TOP PANEL 1578.2N x 1172.2N	1
2	3298F REAR PANEL 1578.2N x 1138N	1
3	3298G LH REAR PANEL 759.8N x 1091.2N	1
4	3297G RH BACK PANEL 776.6N x 1091.2N	1
5	3297N LH REAR SIDE PANEL 1107.2N x 1829.8N	1
6	3297S RH REAR SIDE PANEL 1107.2N x 1829.8N	1
7	3291E LH FRONT SIDE PANEL 1072.2N x 1829.8N	1
8	3291S RH FRONT SIDE PANEL 1092.2N x 1829.8N	1
9	3291S TOP SHROUD 1113.6N x 294.2N	2
10	3291S LH DOOR 1740N x 760.9	1
11	3291L RH DOOR 1740N x 725.5N	1
12	3291G FRONT FASCIA 1511.6N x 229.2N	1
14	3292G FRONT BASE PANEL 1517.6N x 1092.2N	1
15	3287T REAR BASE PANEL 1517.6N x 1105N	1
16	3291G SINE COVER CHANNEL 1720N x 31.5N	2
17	3291B ROOF COVER CHANNEL 748N x 41	2
18	3297D STYPER BRACKET 51.4N x 15N	16
19	M5x10 COUNTER SUNK MACHINE SCREW, (DOOR FIXING SCREWS) ZSCREW40	30
20	NO 10x5/8 POZIDRIVE SELF TAPPING SCREW B2P, (CARCASE ASSEMBLY) ZSCREW100	197
21	M7.5x60 ANCHOR FIXINGS ZSCREW32	8
22	PACKING PIECES (FOR LEVELLING OF UNIT) ZCOMPPLUS22-23-24	4 at 2mm 4 at 3mm 4 at 5mm
23	3734L BASE COVER CHANNEL 140N x38	1
24	M5x16 PAN HEAD POZI (TOP SHROUD) ZSCREW04	4

SELF ASSEMBLY INSTRUCTIONS



PLEASE NOTE THAT FOR SAFETY REASONS THE ASSEMBLY OF THIS SECURE STORAGE UNIT WILL REQUIRE 2 PEOPLE.

BASE INSTRUCTIONS

A LEVEL, FIRM SURFACE IS REQUIRED AS A BASE FOR THE UNITS. (EG. CONCRETE, FLAG).
WE RECOMMEND THE USE OF VIBRATED CAST SLABS, AS THESE WILL GIVE A MORE SECURE FASTENING. WHEN USED IN CONJUNCTION WITH THE 4 ANCHOR SCREWS PROVIDED.

- CENTURION 2185MMx1524MM (86"x80")
- MINIMUM BASE MEASUREMENT:
- 2635MMx1730MM (104"x68")

TOOLS REQUIRED

- POZIDRIV SCREWDRIVER AND SLOTTED SCREWDRIVER (POWERDRIVER RECOMMENDED)
- 6MM DIAMETER MASONRY DRILL (FOR ANCHOR FIXINGS).
- 13MM SOCKET SPANNER (FOR ANCHOR FIXINGS)
- SEALANT GUN

DOOR ALIGNMENT & ANCHORING THE UNIT

IT IS IMPORTANT TO CORRECTLY LEVEL THE UNIT USING THE PACKING PIECES PROVIDED. ONCE ASSEMBLY IN ACCORDANCE WITH THE INSTRUCTIONS OVERLEAF IS COMPLETE AND PRIOR TO FIXING THE UNIT TO THE GROUND.

- SLIDE THE PACKING PIECES UNDER THE CORNERS OF THE UNITS BASE AS REQUIRED UNTIL AN EQUAL GAP HAS BEEN ACHIEVED AROUND THE DOORS. (THIS SHOULD GIVE THEIR SMOOTH OPERATION)

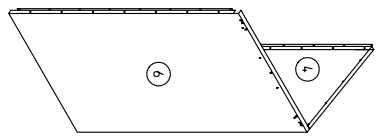
- REMOVE THE RUBBER BASE GROMMITS TO EXPOSE THE FIXING HOLES. DRILL THROUGH USING 6MM DIAMETER MASONRY DRILL TO A MINIMUM DEPTH OF 70MM.
SCREW IN THE ANCHOR FIXINGS.
(THESE HAVE A SELF CUTTING THREAD AND SCREW DIRECTLY INTO THE CONCRETE OR FLAGGED BASE)

VERY IMPORTANT

IF BUILDING ASGNOT... ASGNOTPLUS... OR FITTING A STANDARD EXTENSION REFER TO THOSE INDIVIDUAL INSTRUCTIONS AT STAGE 5 OF CENTURIAN ASSEMBLY.

PLEASE SEE OUR WEBSITE FOR DETAILS OF MAINTENANCE INSTRUCTIONS FOR THIS PRODUCT - WWW.ASGARSS.CO.UK

STEP 1



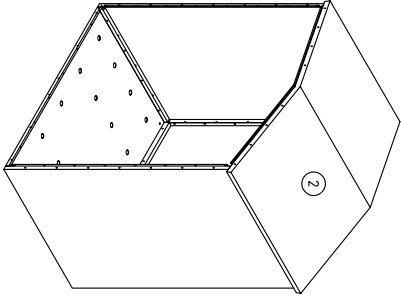
PARTS REQUIRED **I N S T R U C T I O N**

RH REAR SIDE PANEL (6)
RH BACK PANEL (4)

Stand right hand rear side panel '6' and right hand back panel '4' upright and interlock as shown.
Whilst one person holds the panels in place the other should screw the panels together.

15X

STEP 5



PARTS REQUIRED **I N S T R U C T I O N**

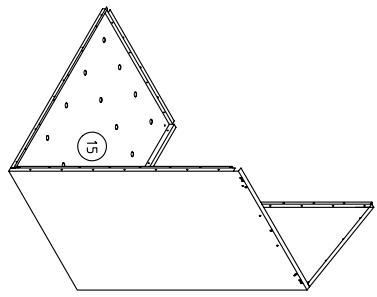
REAR ROOF PANEL (2)

Lift rear roof panel '2' onto unit, over the outer panels ensuring that the upturned flange is to the front, and the ventilation holes are at the back & sides. Screw together.

*** IF EXTENSIONS ARE ADDED REFER TO EXTENSION INSTRUCTION SHEET ***

16X

STEP 2



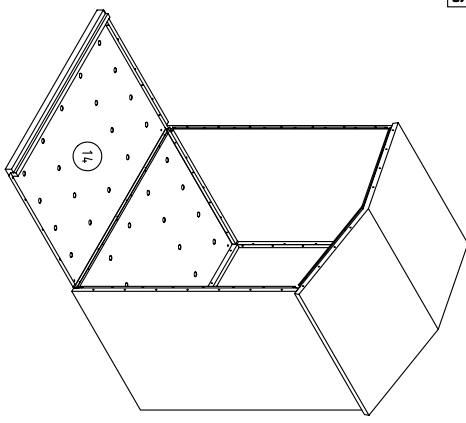
PARTS REQUIRED **I N S T R U C T I O N**

REAR BASE PANEL (15)

Place the rear base panel '15' on the floor as shown. Position the fixed back and side panels up to the base panel, ensuring the side panel is flush with the front of the base panel, screw together.

10X

STEP 6



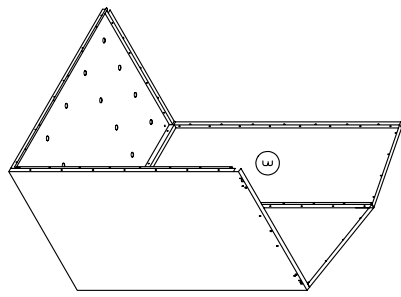
PARTS REQUIRED **I N S T R U C T I O N**

FRONT BASE (14)

Place the front base panel '14' on the floor as shown, making sure the base panels line up. Screw together.

13X

STEP 3



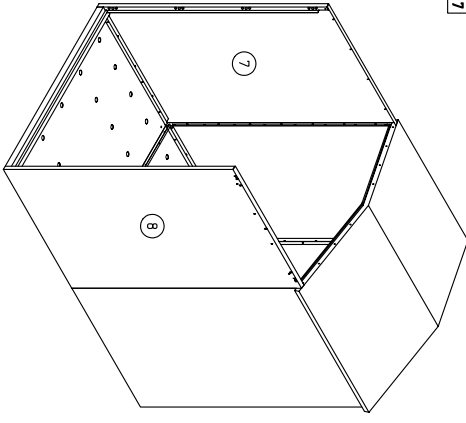
PARTS REQUIRED **I N S T R U C T I O N**

LH BACK PANEL (3)

Locate LH back panel '3' into base and LH back panel as shown.
Screw together down full length of vertical joint and across the base.

19X

STEP 7



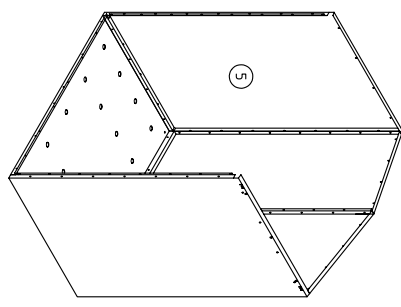
PARTS REQUIRED **I N S T R U C T I O N**

LH FRONT SIDE (7)
RH FRONT SIDE (8)

Run a bead of sealant down the front edge of the rear panels, position the front side panel '7' so the joints interlock, ensuring the side panel is flush with the base panel. Screw together. Repeat the process for front panel '8'.

23X

STEP 4



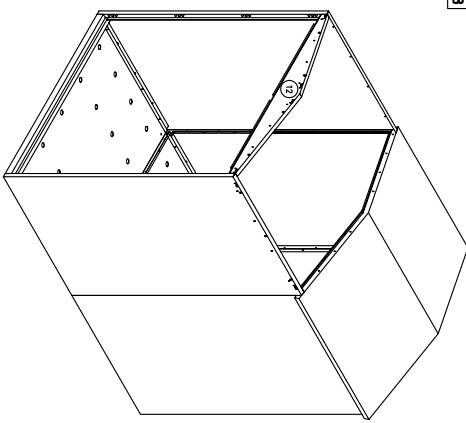
PARTS REQUIRED **I N S T R U C T I O N**

LH REAR SIDE PANEL (5)

Position LH rear side '5' to LH back panel and base as indicated, ensuring the side panel is flush with the front of the base panel, screw together.

22X

STEP 8



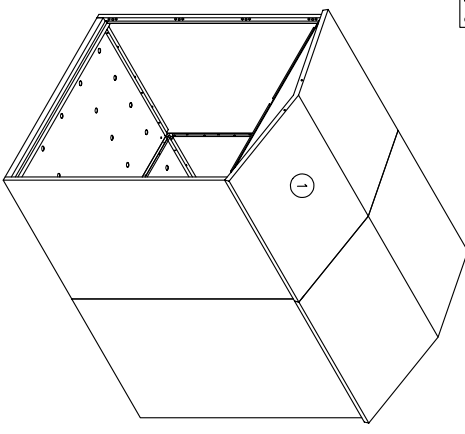
PARTS REQUIRED **I N S T R U C T I O N**

FRONT FASCIA (12)

Attach fascia panel '12' across the front of the unit as shown, screw to front panel and side panel. (requires 6 screws)

6X

STEP 9

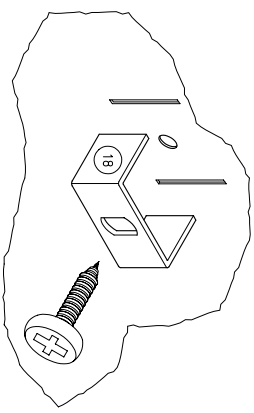


PARTS REQUIRED

FRONT ROOF PANEL (1)
Run a bead of sealant along the front edge of the rear roof panel. Lift the front roof panel '12' onto unit, over the outer panels, ensuring that the large ventilation holes are to the front & sides. Screw together.



STEP 13

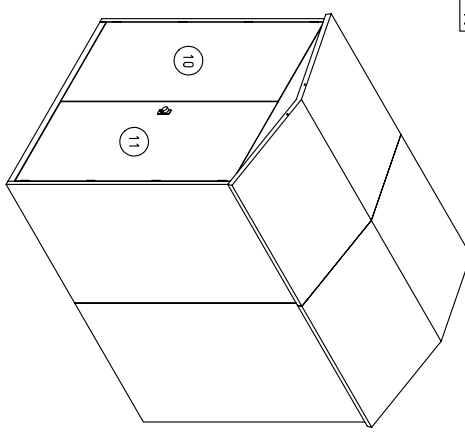


PARTS REQUIRED

STOPPER BRKT (18)
Fit the stopper brkts '18' to the inside of the unit. these brackets locate into the pairs of slots on the top of each of the panels with the lugs on them pointing outwards and are each fixed with a single screw.

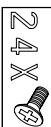


STEP 10

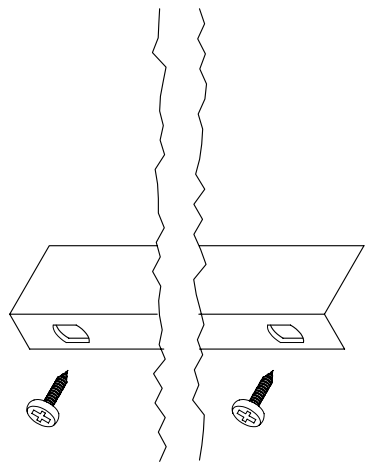


PARTS REQUIRED

WE ADVISE THAT YOU USE HAND HEUD DRIVERS RATHER THAN POWER DRIVERS WHEN FIXING THE DOORS. IT IS IMPORTANT TO SUPPORT THE DOORS AT ALL TIMES. WHILST FITTING THE SCREWS TO ENSURE CORRECT ALIGNMENT. Position LH door '10' (non locking door) so that hinges are aligned with fixing holes screw in position. (LH door shown in position) Position RH door '11' (locking door) so that hinges are aligned with fixing holes. screw in position.

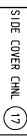


STEP 14

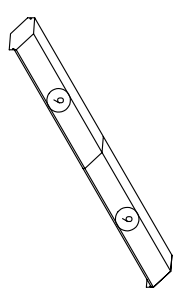


PARTS REQUIRED

SIDE COVER CHNL (16)
Fit the cover channels '16' & '17' to the inside of the unit. these covers locate on the middle seam of the unit. To fit take out the screws which line up with the small holes in the cover. Position the cover then screw in position.



STEP 11



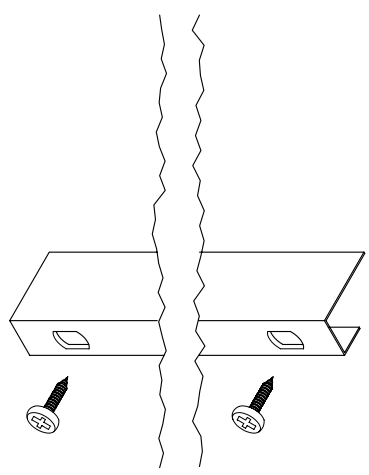
*** IF EXTENSION ARE ADDED REFER TO EXTENSION INSTRUCTION 1A ***

PARTS REQUIRED

TOP SHROUD (9)
Lay top shrouds '9' together as shown and fix through underside flange.



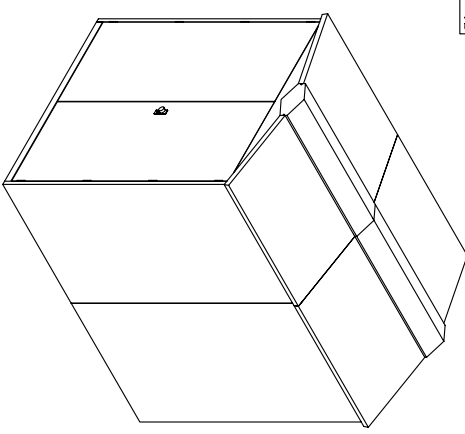
STEP 15



PARTS REQUIRED

FLOOR COVER CHNL (23)
Fit the floorcover channel '23' to the inside of the unit. this cover locates on the middle seam of the base of the unit. To fit take out the screws which line up with the small holes in the cover. Position the cover then screw in position.

STEP 12



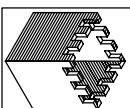
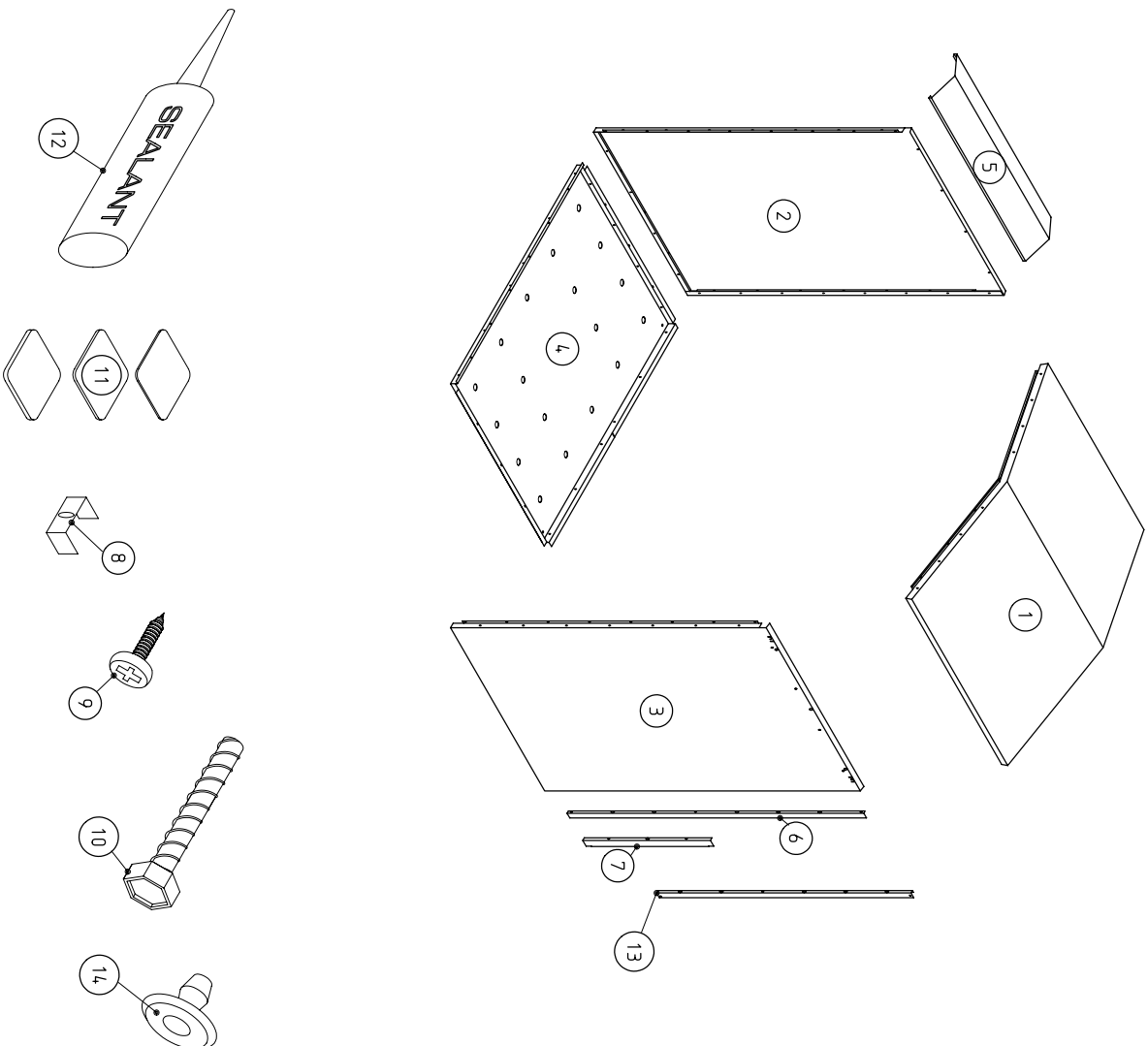
PARTS REQUIRED

Run a bead of sealant along the contact edges of the top shroud. Lift the shroud onto the roof alligning the fixing holes then screw in position.



ITEM NO	PART DESCRIPTION	QTY
1	EXTENSION TOP PANEL 1578.9w x 1110h	1
2	32853 LH EXT SIDE PANEL 1107.2w x 1828.8h	1
3	32854 RH EXT SIDE PANEL 1107.2w x 1828.8h	1
4	32850 EXTENSION BASE PANEL 1517.6w x 1107.2h	1
5	32996 EXT TOP SHROUD 1092.2w x 294.2	1
6	32916 SIDE COVER CHANNEL 1720w x 31.5h	2
7	32918 ROOF COVER CHANNEL 740w x 41h	2
8	32670 STOPPER BRACKET 31.6w x 15h	4
9	NO 10x5/8 POZIDRIVE SELF TAPPING SCREW B2P. (CARCASE ASSEMBLY) ZSCREW100	87
10	M7 5x60 ANCHOR FIXINGS ZSCREW2	4
11	PACKING PIECES (FOR LEVELLING OF UNIT) ZCOMPPLAS22-23-24	2 at 2mm 2 at 3mm 2 at 5mm
12	WEATHERGUARD SEALANT	1 TUBE
13	37364 BASE COVER CHANNEL 1449w x 38h	1
14	SELF SEAL PLUG ZCOMPPLAS02	4

SELF ASSEMBLY INSTRUCTIONS



PLEASE NOTE THAT FOR SAFETY REASONS THE ASSEMBLY OF THIS SECURE STORAGE UNIT WILL REQUIRE 2 PEOPLE.
BASE INSTRUCTIONS

A LEVEL, FIRM SURFACE IS REQUIRED AS A BASE FOR THE UNITS. (EG. CONCRETE, FLAGGS).
WE RECOMMEND THE USE OF VIBRATED CAST SLABS, AS THESE WILL GIVE A MORE SECURE FASTENING, WHEN USED IN CONJUNCTION WITH THE 4 ANCHOR SCREWS PROVIDED.

- CENTURION 2185MM*1524MM (88"*80")
- MINIMUM BASE MEASUREMENT:
- 2385MM*1160MM (94"*88")
- ***ADD 1092MM (43") TO THE LENGTH FOR EACH ADDITIONAL EXTENSION***

TOOLS REQUIRED

- POZIDRIV SCREWDRIVER AND SLOTTED SCREWDRIVER (POWERDRIVER RECOMMENDED)
- 6MM DIAMETER MASONRY DRILL (FOR ANCHOR FIXINGS).
- 13MM SOCKET SPANNER (FOR ANCHOR FIXINGS)
- SEALANT GUN

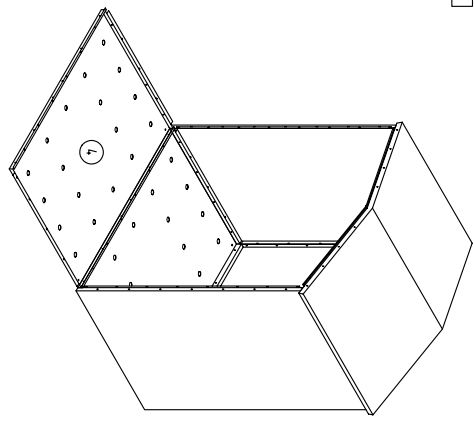
DOOR ALIGNMENT & ANCHORING THE UNIT

IT IS IMPORTANT TO CORRECTLY LEVEL THE UNIT USING THE PACKING PIECES PROVIDED. ONCE ASSEMBLY IN ACCORDANCE WITH THE INSTRUCTIONS OVERLEAF IS COMPLETE AND PRIOR TO FIXING THE UNIT TO THE GROUND.

- SLIDE THE PACKING PIECES UNDER THE CORNERS OF THE UNITS BASE AS REQUIRED UNTIL AN EQUAL GAP HAS BEEN ACHIEVED AROUND THE DOORS. (THIS SHOULD GIVE THEIR SMOOTH OPERATION)

- REMOVE THE RUBBER BASE GROMMITS TO EXPOSE THE FIXING HOLES. DRILL THROUGH, USING 6MM DIAMETER MASONRY DRILL TO A MINIMUM DEPTH OF 70MM.
SCREW IN THE ANCHOR FIXINGS.
(THESE HAVE A SELF CUTTING THREAD AND SCREW DIRECTLY INTO THE CONCRETE OR FLAGGED BASE)

STEP 1

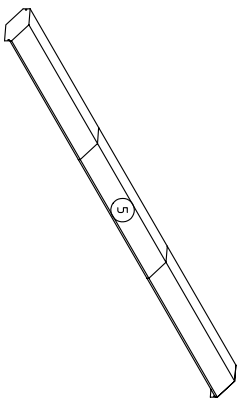


PARTS REQUIRED **I N S T R U C T I O N**

EXTENSION BASE (4)
Place the extension base panel '4' on the floor as shown, making sure the base panels line up. Screw together.



STEP 1A

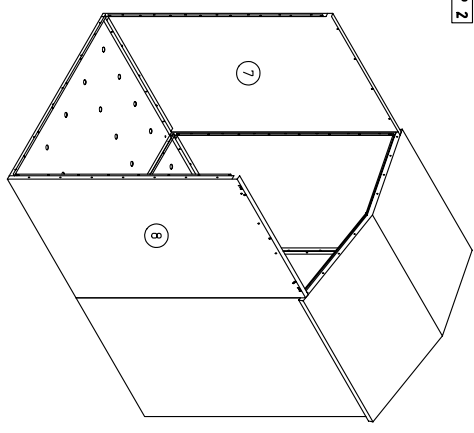


PARTS REQUIRED **I N S T R U C T I O N**

EXT TOP SHROUD (5)
Lay extension shroud '5' between the top shrouds as shown and fix through underside flanges.



STEP 2

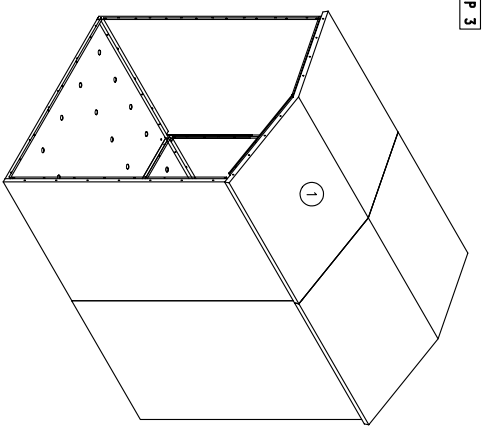


PARTS REQUIRED **I N S T R U C T I O N**

LH EXT SIDE (2)
RH EXT SIDE (3)
Run a bead of sealant down the front edge of the rear panels. Position the extension side panel '2' so the joints interlock, ensuring the side panel is flush with the base panel. Screw together. Repeat the process for extension panel '3'.



STEP 3



PARTS REQUIRED **I N S T R U C T I O N**

EXT ROOF PANEL (1)
Run a bead of sealant along the front edge of the rear roof panel. Lift the extension roof panel '1' onto unit, over the outer panels, ensuring that the panels hook together and lie flat. Screw together.



STEP 4

To complete build continue construction from step 6 on the standard centurion instructions

PARTS REQUIRED **I N S T R U C T I O N**

PARTS REQUIRED **I N S T R U C T I O N**

Asgard



storage for life

ATV / Quad Bike Storage

Shelf Pack
(optional extra)

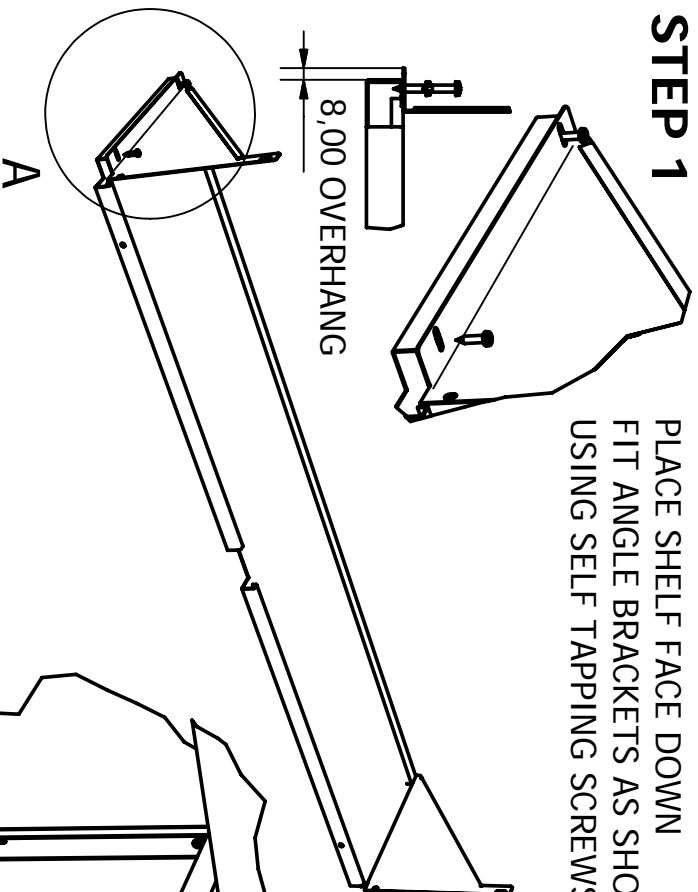


Assembly Instructions

ASGARD CENTURIAN MK2 SHELF

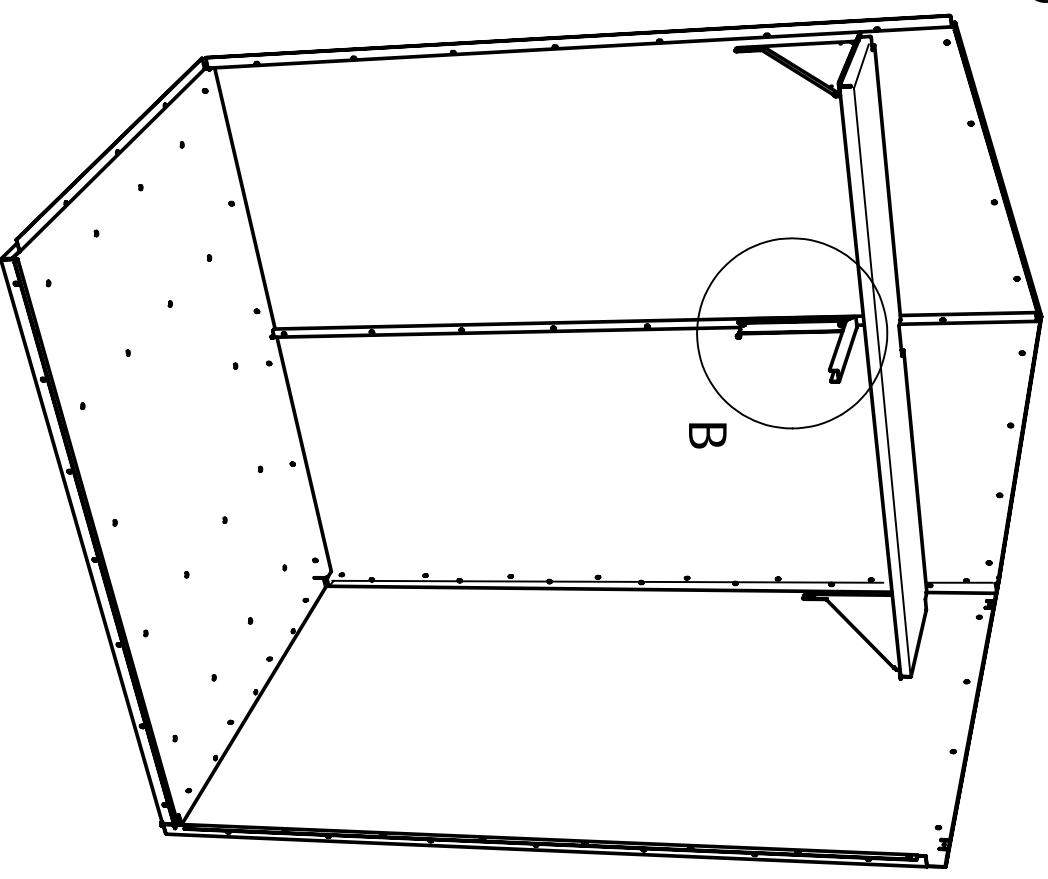
STEP 1

PLACE SHELF FACE DOWN
FIT ANGLE BRACKETS AS SHOWN
USING SELF TAPPING SCREWS (SUPPLIED)



STEP 2

CHOOSE DESIRED SHELF HEIGHT
REMOVE SCREWS FROM MIDDLE
AND ENDS OF UNIT
SCREW MID BRACKET IN PLACE
PLACE SHELF ONTO MID BRKT AND
REPLACE SCREWS
THOUGH ANGLE BRACKETS



PACK CONTENTS

1 SHELF 043273
1 RH ANGLE BRACKET 039636
1 LH ANGLE BRACKET 039637
1 MID SHELF BRACKET 043274
4 SELF TAPPING SCREWS

NOTE

SHELVES WILL ONLY FIT TO BACK OF CABINETS

DRG No 044745