

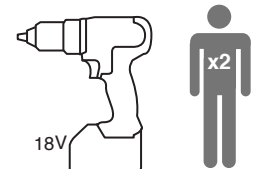
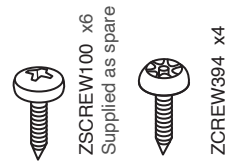
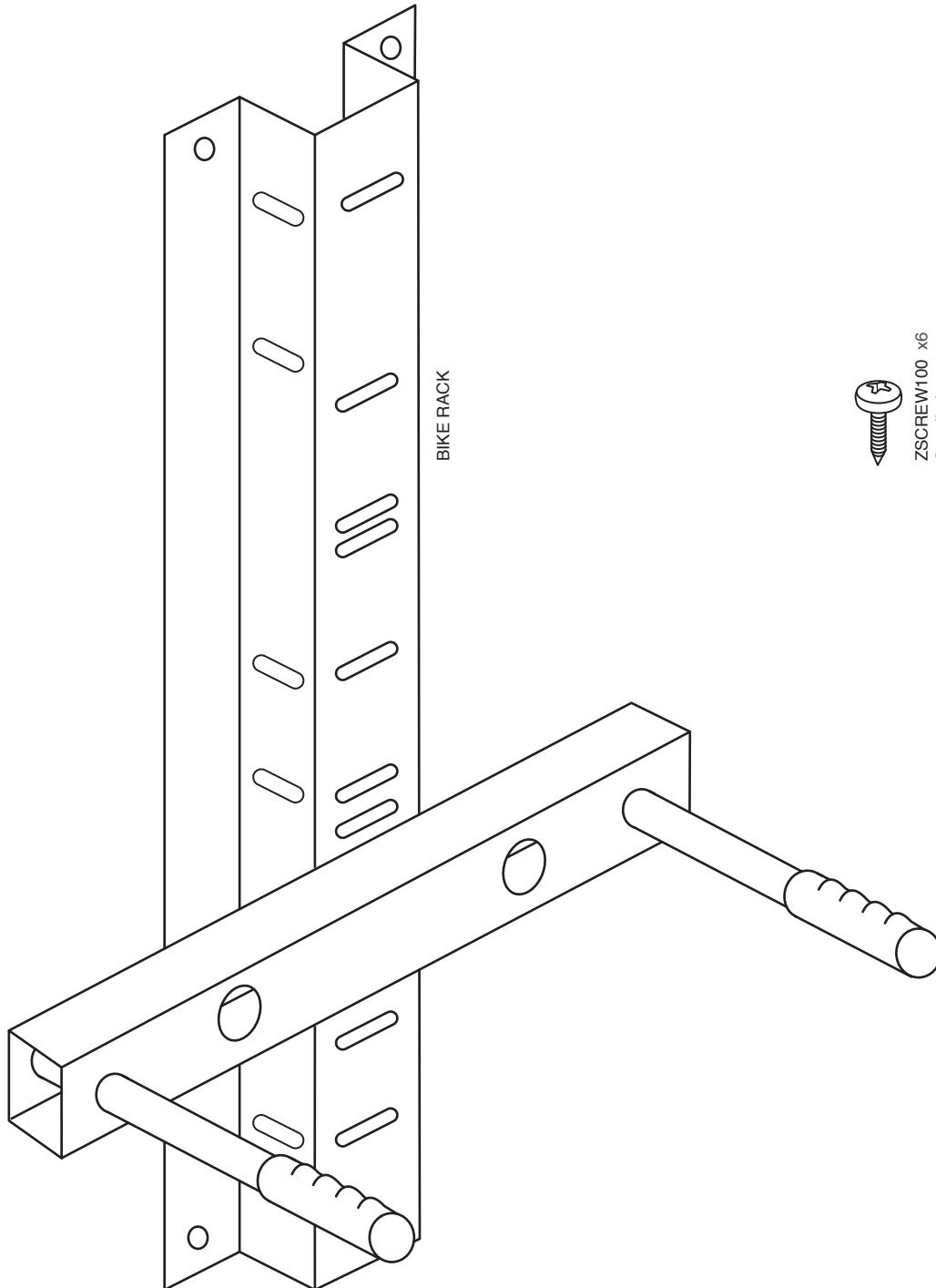
BIKE RACK

COMPATIBILITY

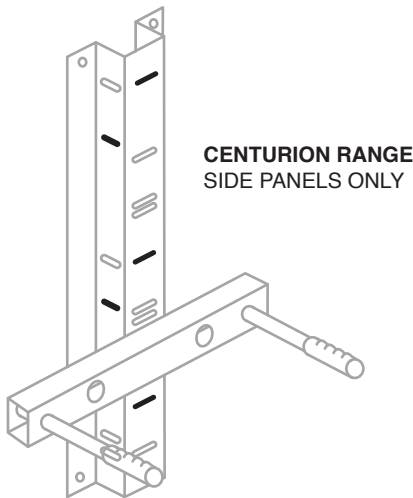
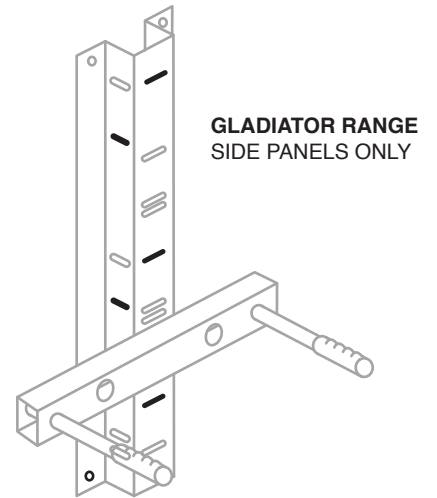
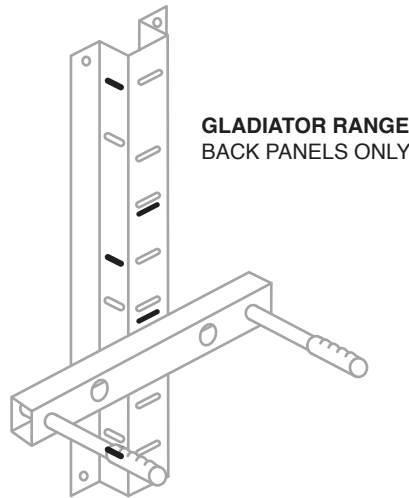
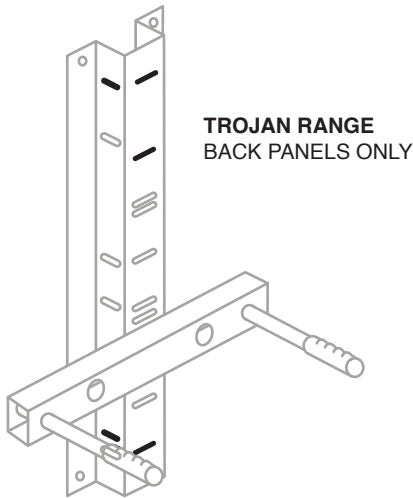
Suitable for the Trojan range, Centurion range, Gladiator range and Flexistore range.

TOOLS REQUIRED

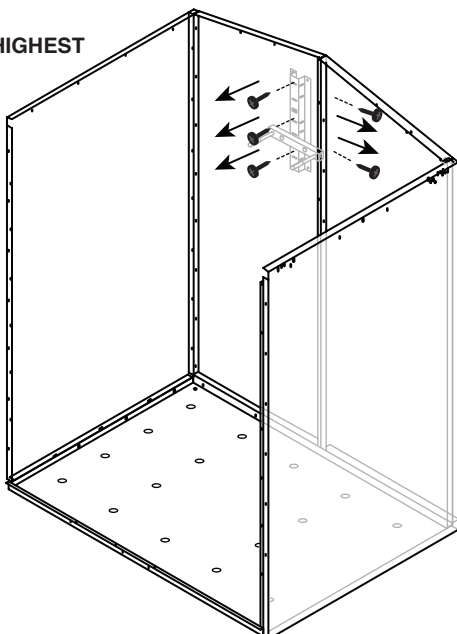
Power driver POSI-DRIV screwdriver. If using security screws provided a pin torx anti tamper screwdriver bit size TX25 is required.



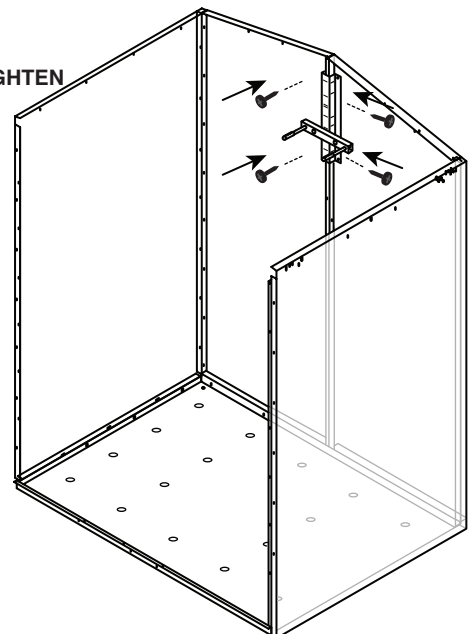
THIS BIKE RACK IS COMPATIBLE FOR MULTIPLE UNITS. ONLY USE THE HOLES WHICH ARE MARKED YOUR UNIT AND DESIRED POSITION.



1! ALIGN IN HIGHEST POSITION.



2! DO NOT OVERTIGHTEN



www.asgardsss.co.uk