

EASY-FIT SHED SUPPORT FRAME (FLEXISTORE 1533)

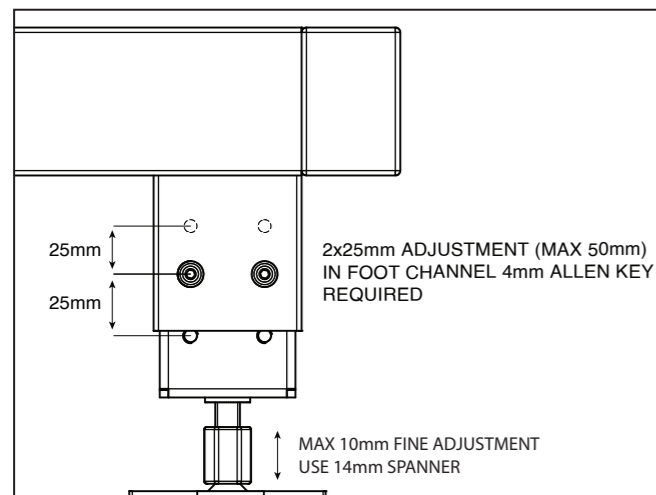
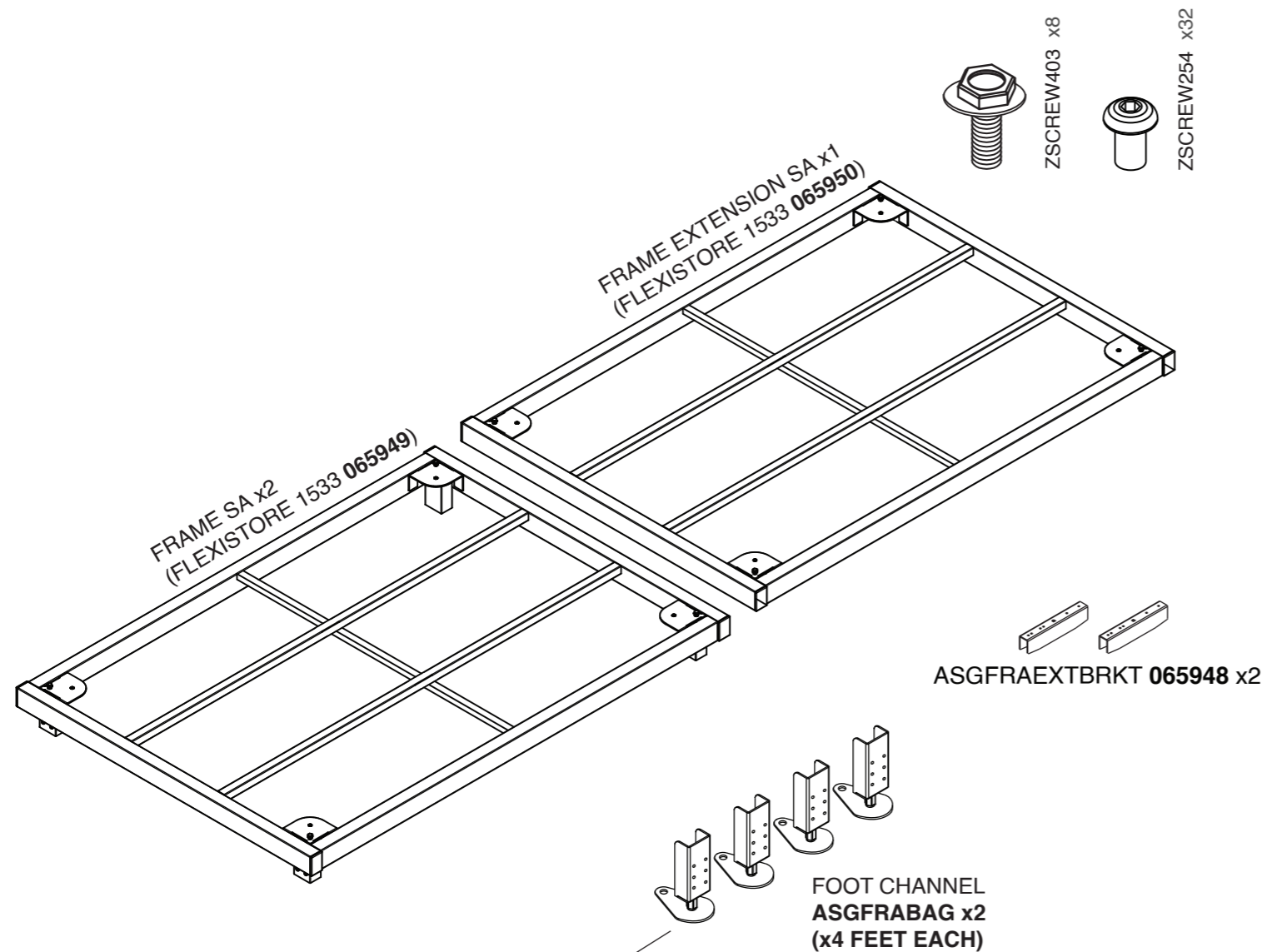


COMPATIBILITY

This support frame is compatible with Asgard Flexistore 1533 sheds. The frame dimensions and components will vary depending on the specific shed model.

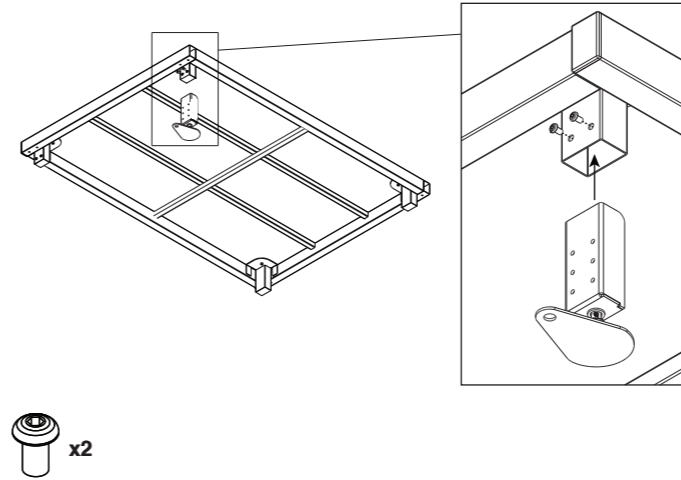
TOOLS REQUIRED

Screwdriver, Posi-Driv Screwdriver, 10mm Spanner, 14mm Spanner, 4mm Allen Key, Spirit Level

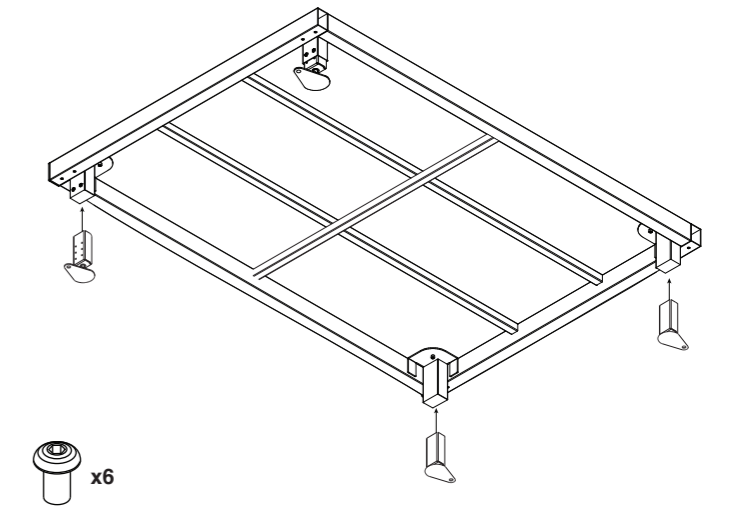


For maintenance instructions of this product visit www.asgardsss.co.uk

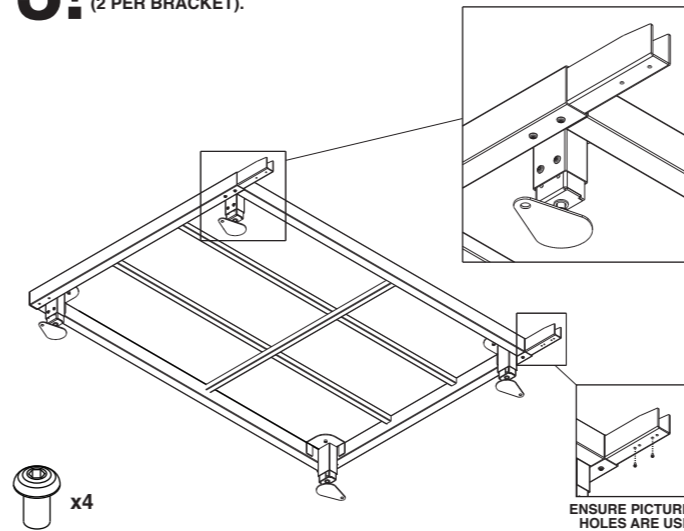
1! PLACE THE FOOT CHANNEL IN THE SUPPORT FRAME AND ATTACH USING 2 ZSCREW254.



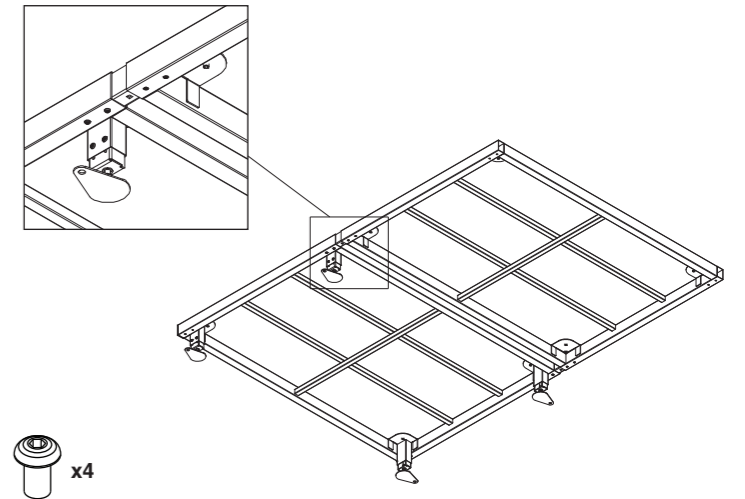
2! ATTACH THE REMAINING 3 FOOT CHANNELS TO THE SUPPORT FRAME (065949). REPEAT FOR SECOND FRAME (065949).



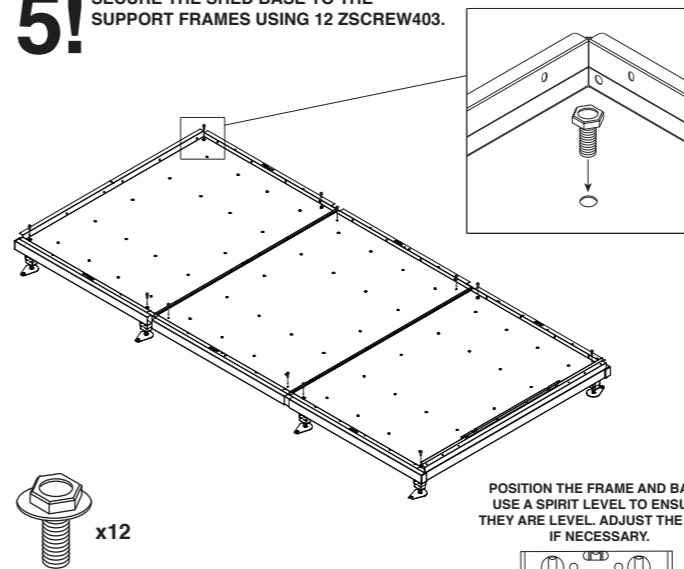
3! SECURE CONNECTOR BRACKETS IN PLACE USING 4 ZSCREW254 (2 PER BRACKET).



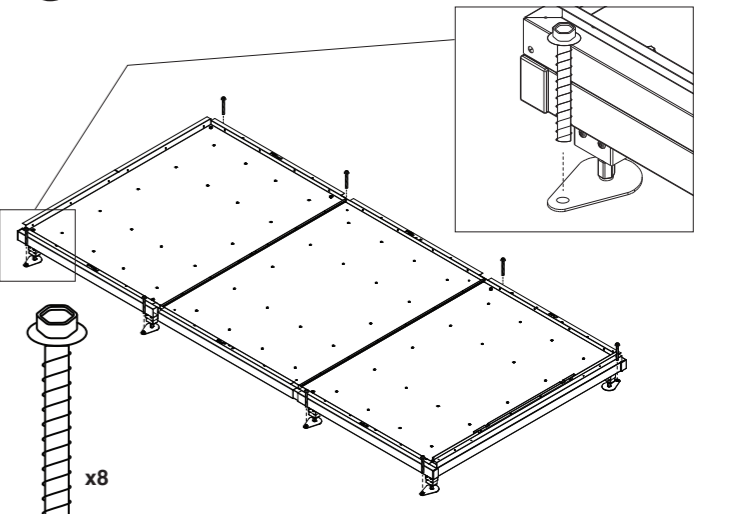
4! POSITION THE EXTENSION FRAME (065950) AND FIX IN PLACE USING 4 ZSCREW254 (2 PER BRACKET). REPEAT FOR THIRD FRAME (065949).



5! SECURE THE SHED BASE TO THE SUPPORT FRAMES USING 12 ZSCREW403.



6! SECURE THE SHED BASE IN POSITION USING 8 ZSCREW304 WITH A 10MM SPANNER. (THE 4 ZSCREW32 COME WITH YOUR SHED)



EASY-FIT SHED SUPPORT FRAME (FLEXISTORE 1522)

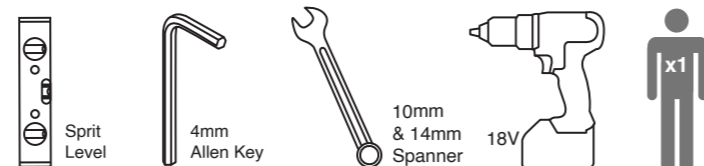
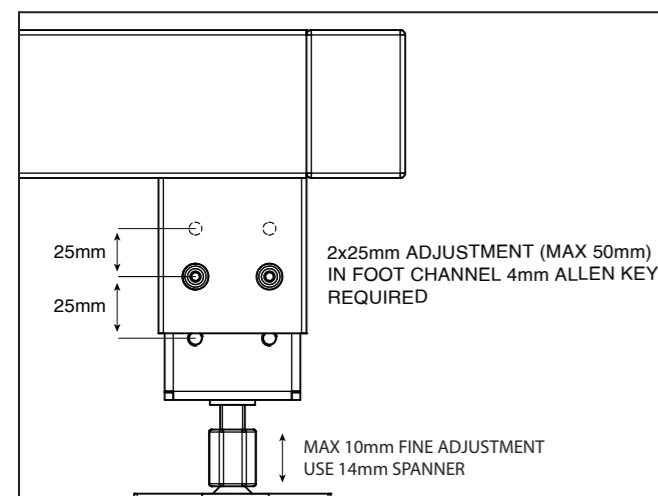
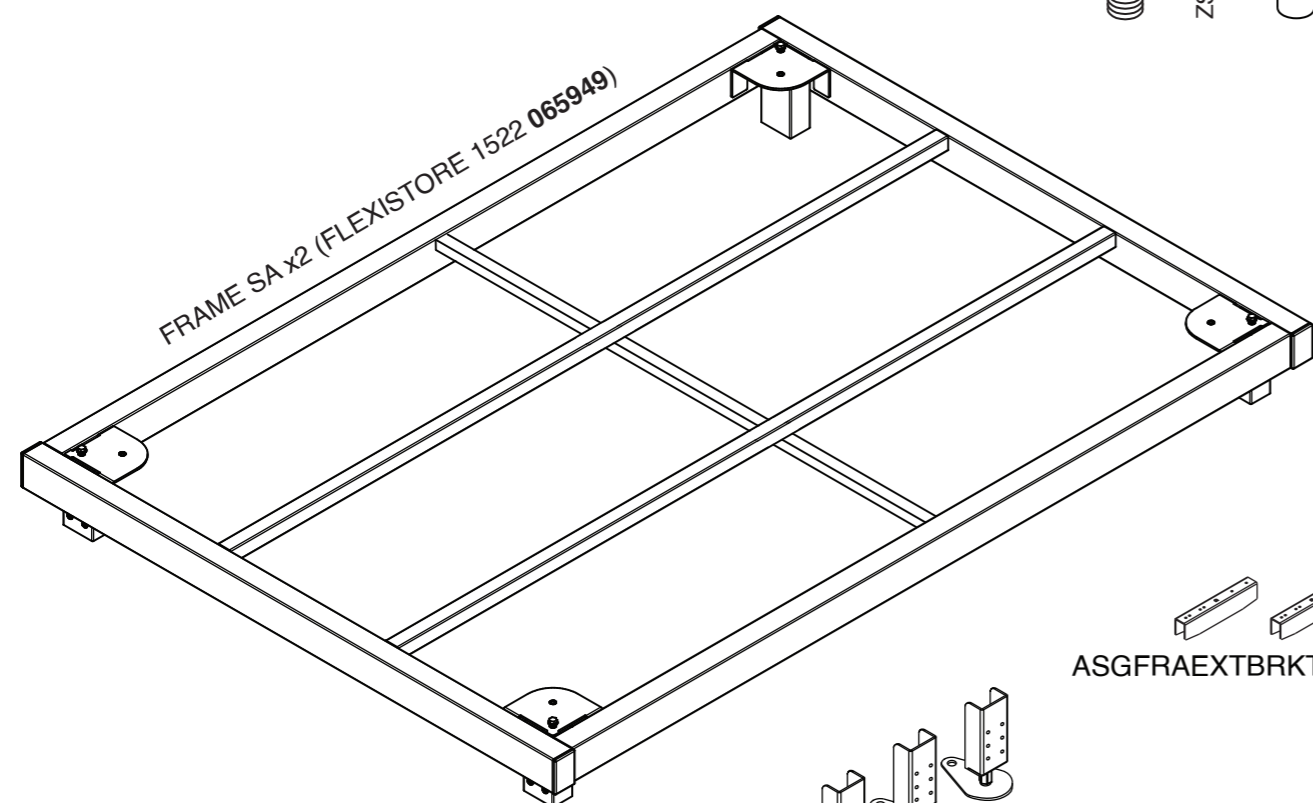


COMPATIBILITY

This support frame is compatible with Asgard Flexistore 1522 sheds. The frame dimensions and components will vary depending on the specific shed model.

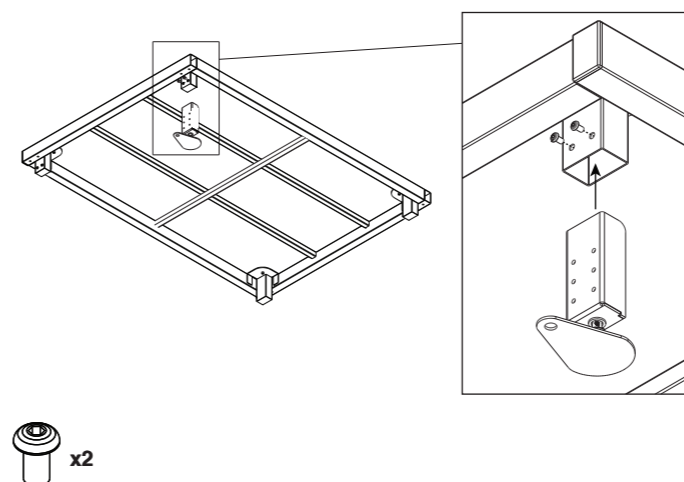
TOOLS REQUIRED

Screwdriver, Posi-Driv Screwdriver, 10mm Spanner, 14mm Spanner, 4mm Allen Key, Spirit Level

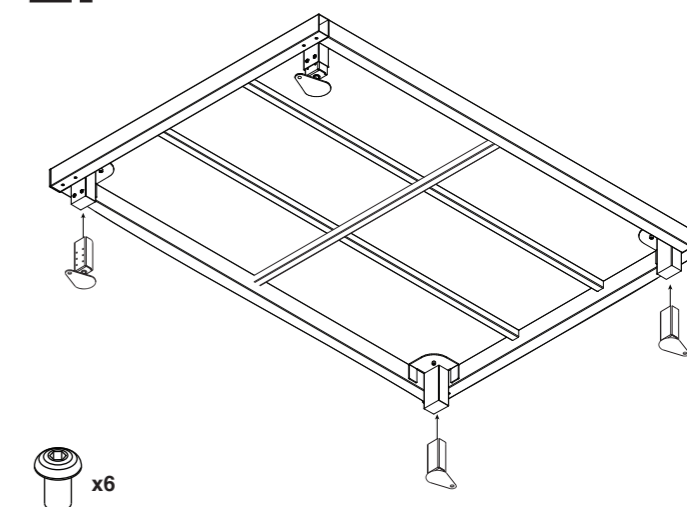


For maintenance instructions of this product visit www.asgardsss.co.uk

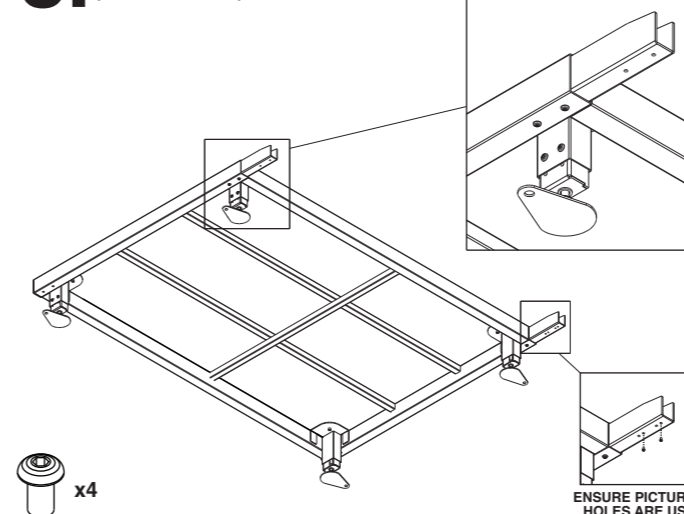
1! PLACE THE FOOT CHANNEL IN THE SUPPORT FRAME AND ATTACH USING 2 ZSCREW254.



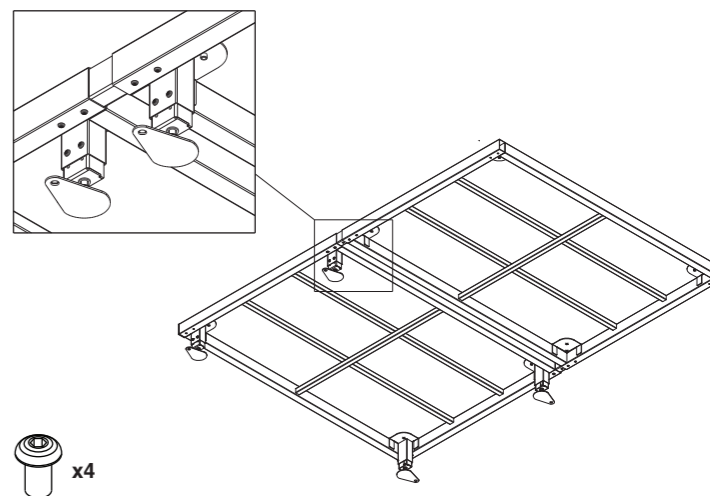
2! ATTACH THE REMAINING 3 FOOT CHANNELS TO THE SUPPORT FRAME. REPEAT FOR SECOND FRAME.



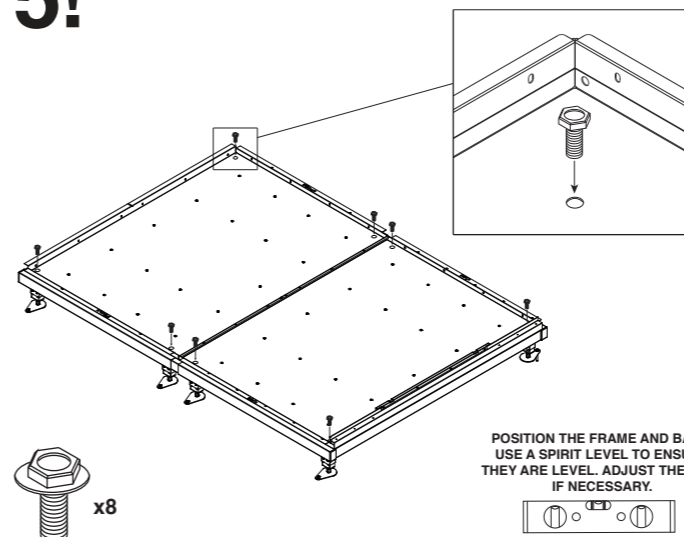
3! SECURE CONNECTOR BRACKETS IN PLACE USING 4 ZSCREW254 (2 PER BRACKET).



4! POSITION THE SECOND FRAME AND FIX IN PLACE USING 4 (2 PER BRACKET) ZSCREW254.



5! SECURE EACH OF THE SHED BASES TO THE SUPPORT FRAMES USING 8 ZSCREW403.



6! SECURE THE SHED BASE IN POSITION USING 8 ZSCREW304 WITH A 10MM SPANNER. (THE 4 ZSCREW32 COME WITH YOUR SHED)

