

ASGARD SUPPORT FRAME

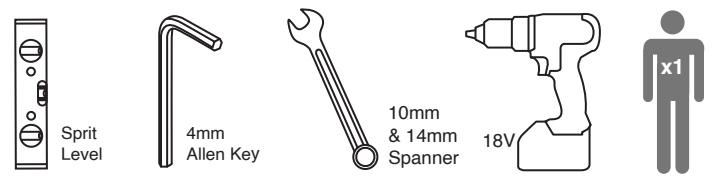
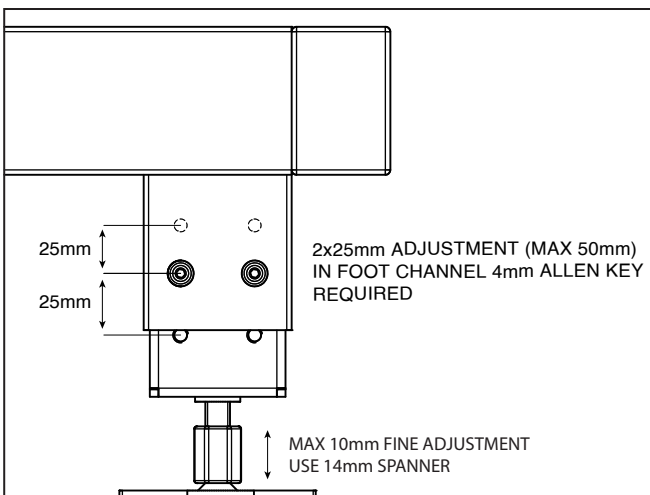
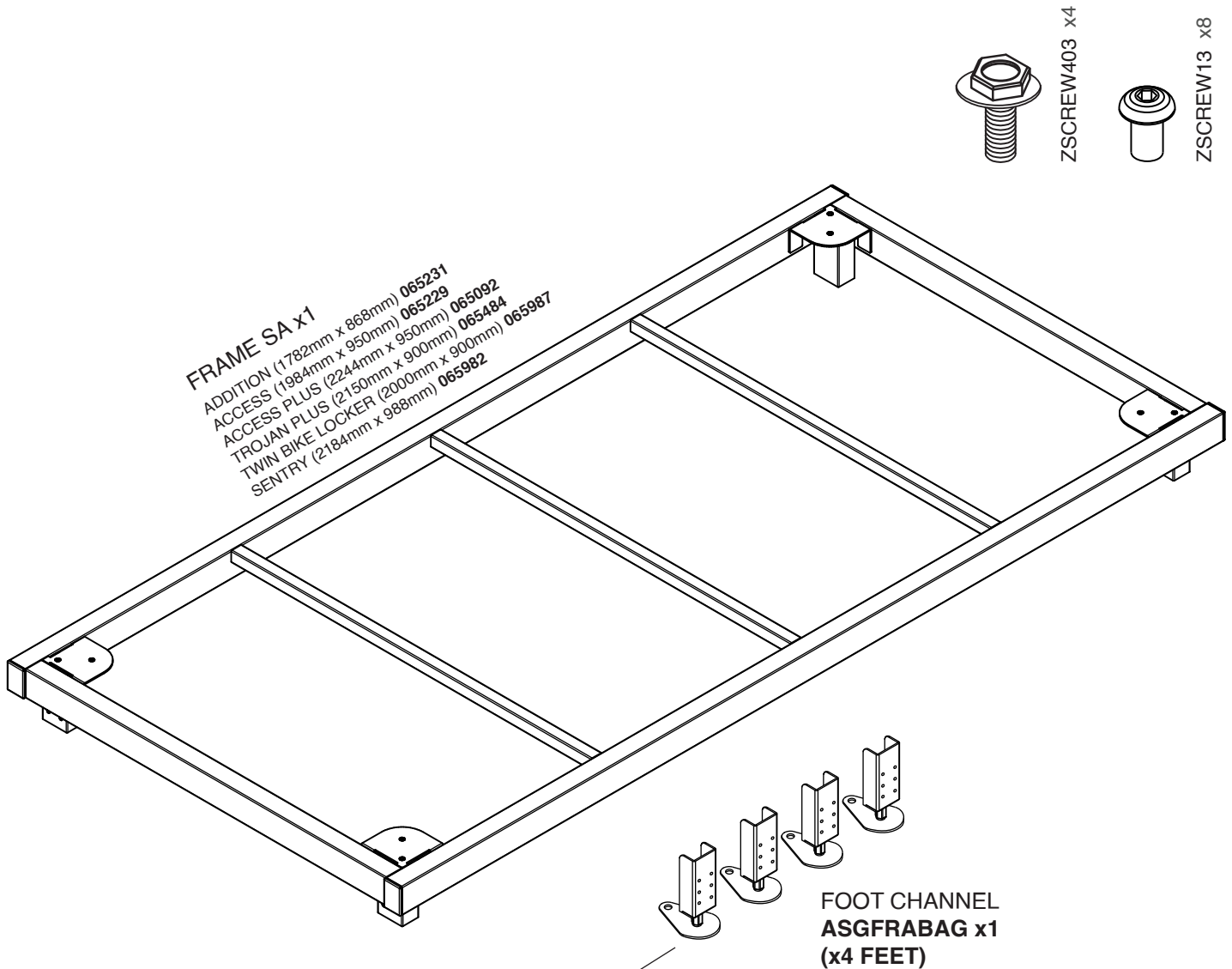


COMPATIBILITY

This support frame is compatible with the Asgard Access, Access Plus, Addition, Trojan Plus, Cycle Locker and Sentry sheds. The frame dimensions and components will vary depending on the specific shed

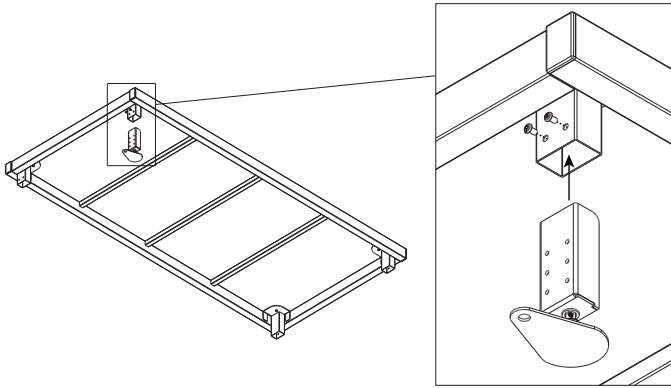
TOOLS REQUIRED

Screwdriver, Posi-Driv Screwdriver, 10mm Spanner, 14mm Spanner, 4mm Allen Key, Spirit Level

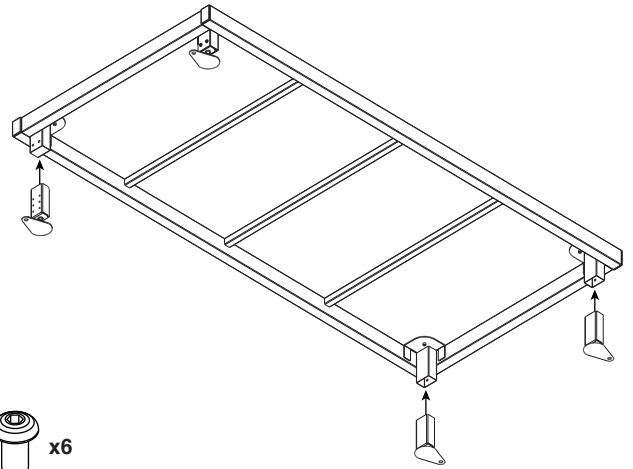


For maintenance instructions of this product visit www.asgardsss.co.uk

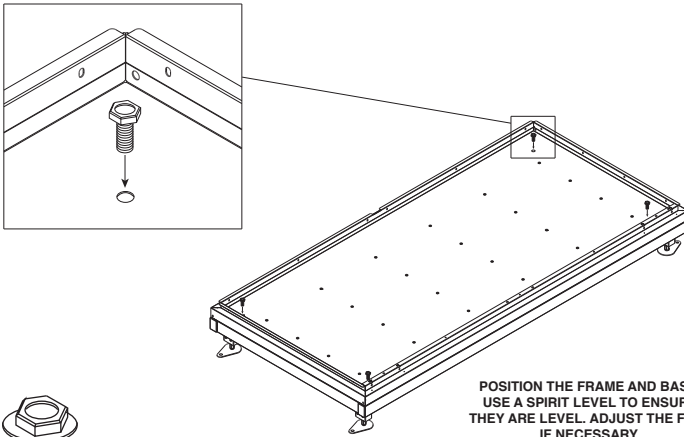
1! PLACE THE FOOT CHANNEL IN THE SUPPORT FRAME AND ATTACH USING 2 ZSCREW13.



2! ATTACH THE REMAINING 3 FOOT CHANNELS TO THE SUPPORT FRAME.



3! SECURE THE SHED BASE IN POSITION USING 4 ZSCREW304 WITH A 10MM SPANNER.



4! WE ADVISE SECURING THE SUPPORT FRAME TO THE FLOOR BY USING 4 ZSCREW32 WITH A 10MM SPANNER. (THE 4 ZSCREW32 COME WITH YOUR SHED).

