

ASGARD SUPPORT FRAME

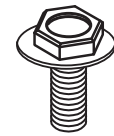


COMPATIBILITY

This support frame is compatible with the Asgard Access, Access Plus, Addition, Trojan Plus and Flexistore 1511 sheds. The frame dimensions and components will vary depending on the specific shed model.

TOOLS REQUIRED

Screwdriver, Posi-Driv Screwdriver, 10mm Spanner, 14mm Spanner, 4mm Allen Key, Spirit Level

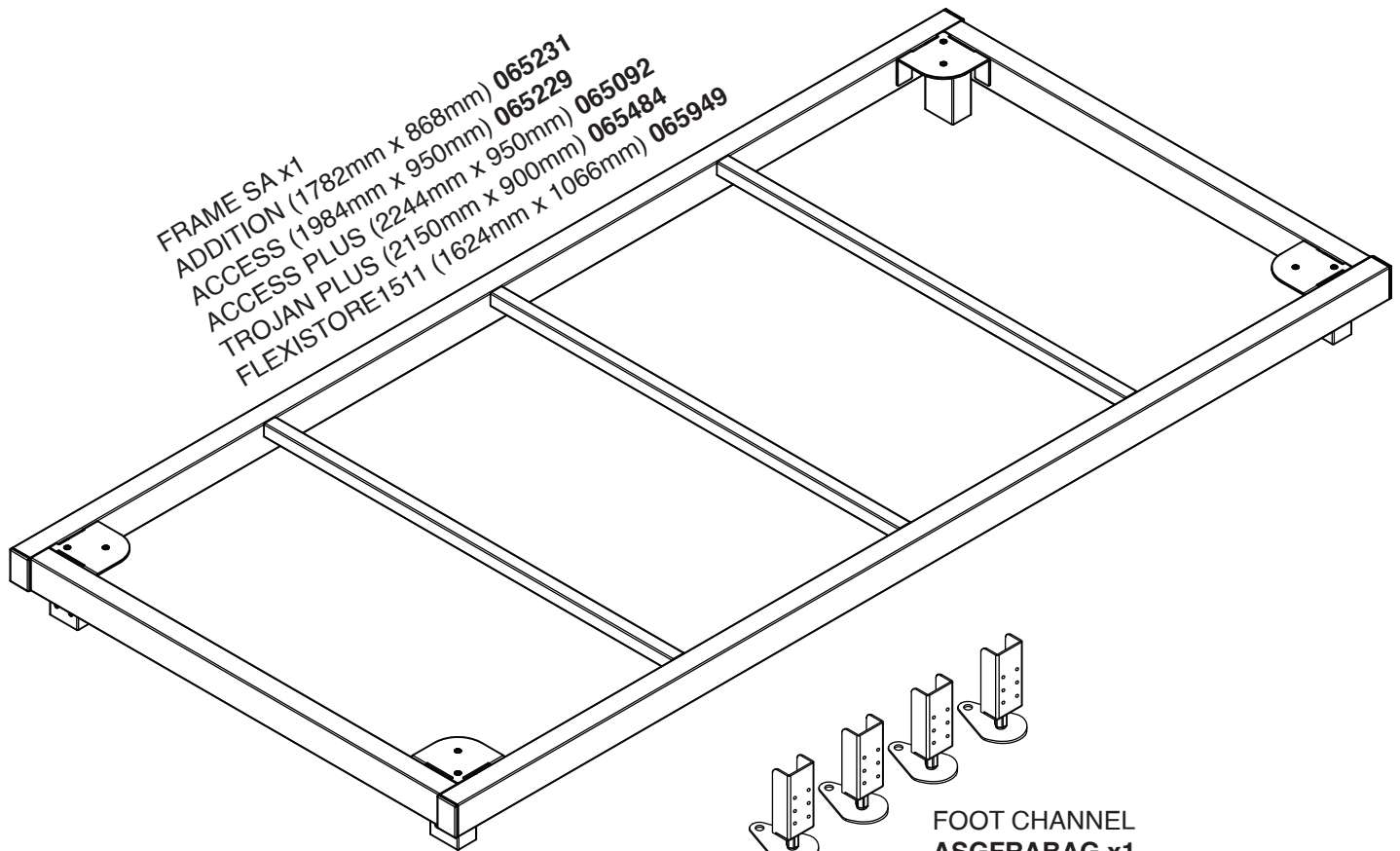


ZSCREW403 x4

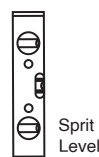
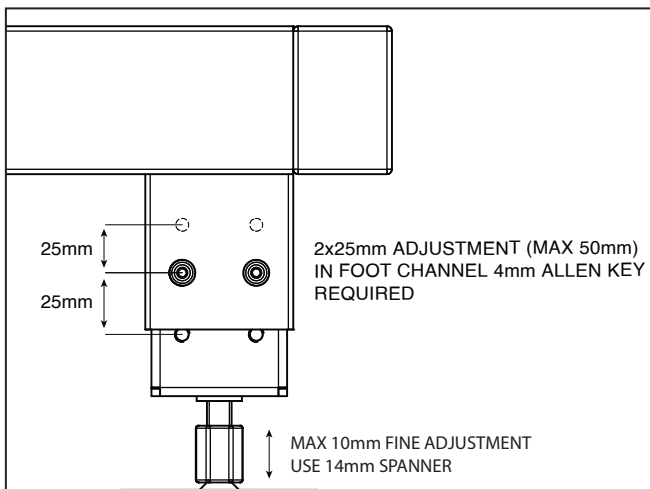


ZSCREW254 x8

FRAME SA x1
 ADDITION (1782mm x 868mm) 065231
 ACCESS (1984mm x 950mm) 065229
 ACCESS PLUS (2244mm x 950mm) 065092
 TROJAN PLUS (2150mm x 900mm) 065484
 FLEXISTORE1511 (1624mm x 1066mm) 065949



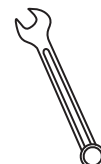
FOOT CHANNEL
ASGFRABAG x1
 (x4 FEET)



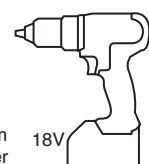
Spirit Level



4mm Allen Key



10mm & 14mm Spanner



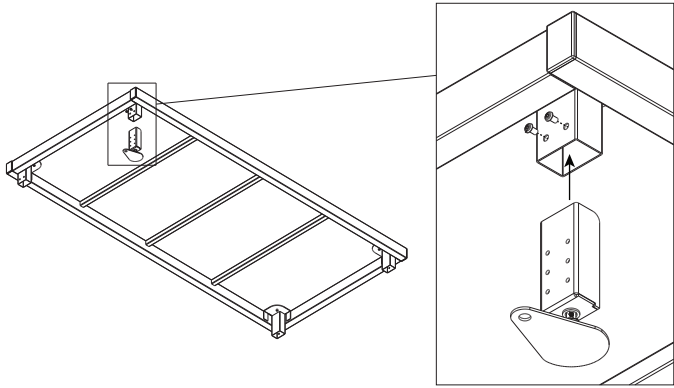
18V



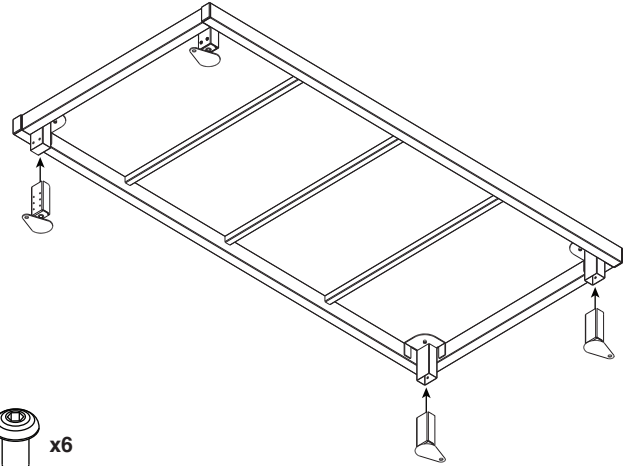
x1

For maintenance instructions of this product visit www.asgardsss.co.uk

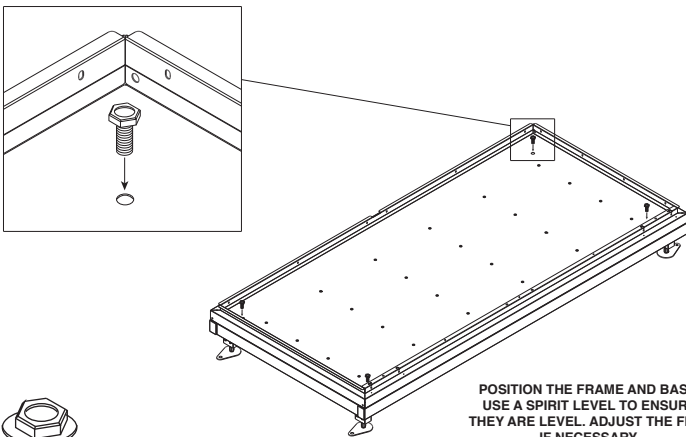
1! PLACE THE FOOT CHANNEL IN THE SUPPORT FRAME AND ATTACH USING 2 ZSCREW13.



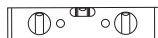
2! ATTACH THE REMAINING 3 FOOT CHANNELS TO THE SUPPORT FRAME.



3! SECURE THE SHED BASE IN POSITION USING 4 ZSCREW304 WITH A 10MM SPANNER.



POSITION THE FRAME AND BASE. USE A SPIRIT LEVEL TO ENSURE THEY ARE LEVEL. ADJUST THE FEET IF NECESSARY.



4! WE ADVISE SECURING THE SUPPORT FRAME TO THE FLOOR BY USING 4 ZSCREW32 WITH A 10MM SPANNER. (THE 4 ZSCREW32 COME WITH YOUR SHED).

