

# MOTORCYCLE PLUS 1



## BASE INSTRUCTIONS

Flat and firm base. Recommended: concrete, tarmac or paving flags.  
 Min. distance from walls/ shrubbery: 1000mm.  
 Min. base size (WxDxH) 2410mm x 4940mm x 50mm.

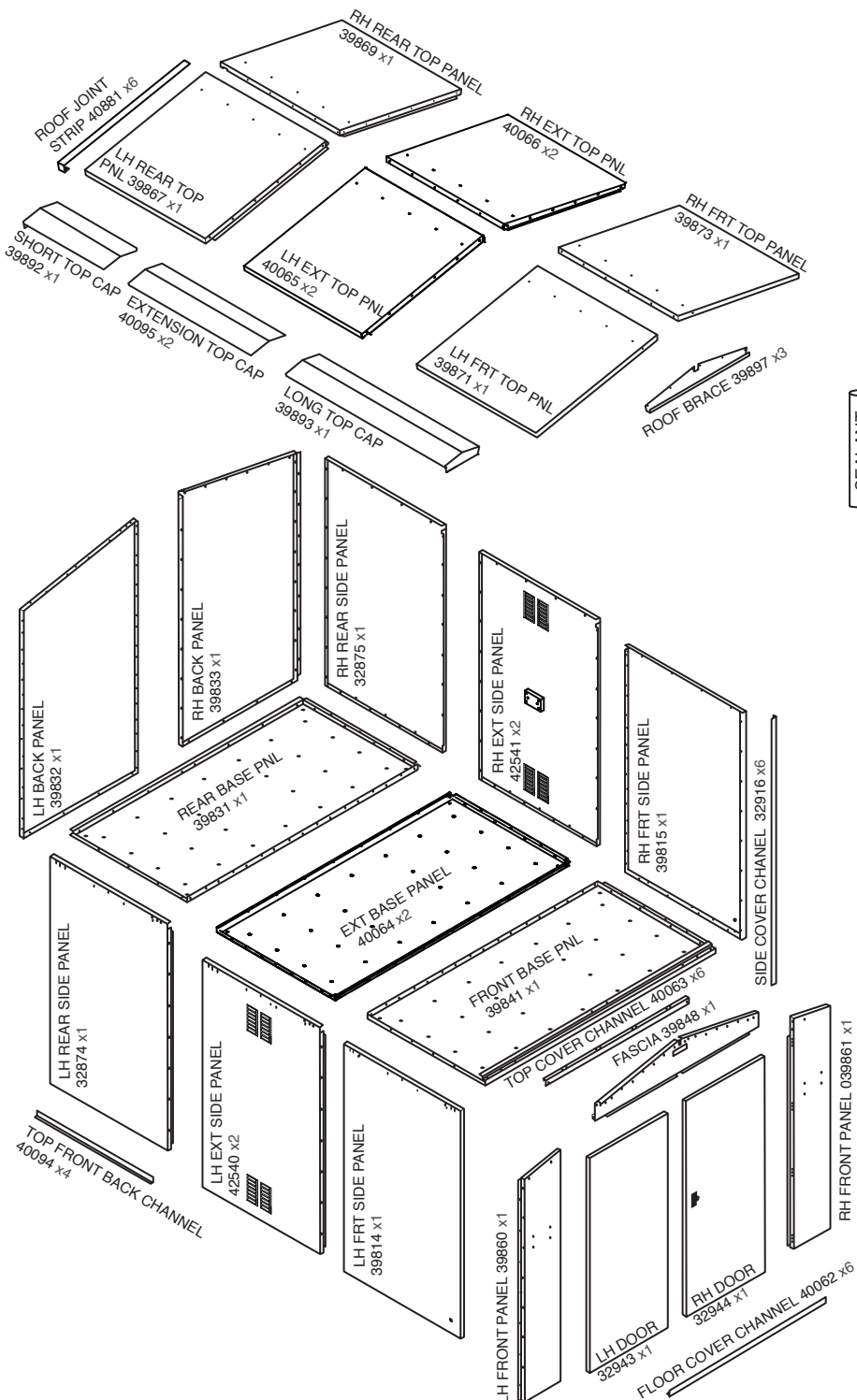
## LEVELING THE UNIT

Correctly level the constructed unit using the shims (ZCOMPPLAS) provided prior to fixing the unit to the ground. Slide the packing pieces under the corners of the unit base as required until an equal gap has been achieved around the door allowing for its smooth operation and alignment.

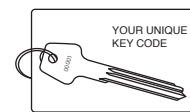
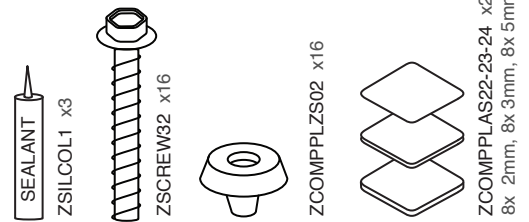
It is always recommended to anchor down the unit to the ground. Drill through the four holes in each of the bases of the unit using 6mm dia masonry drill to a depth of 70mm. Screw in the anchor fixings. (These have a self cutting thread). If not anchoring the unit, fit the self seal plugs BEFORE BUILDING to block the fixing holes from underneath. **Please note, product must be bolted down to comply with LPS1175**

## TOOLS REQUIRED

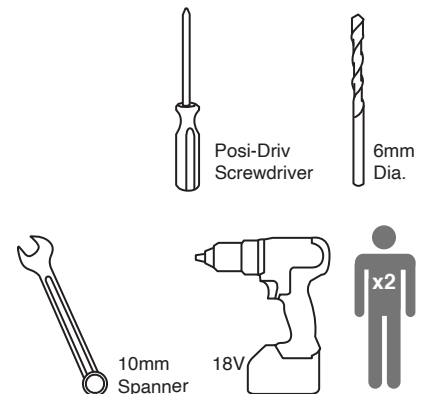
Power driver POSI-DRIV screwdriver, 6mm dia. masonry drill and a 10mm socket or spanner.



Warning: some panels may weigh over 20Kg. Beware of manual handling

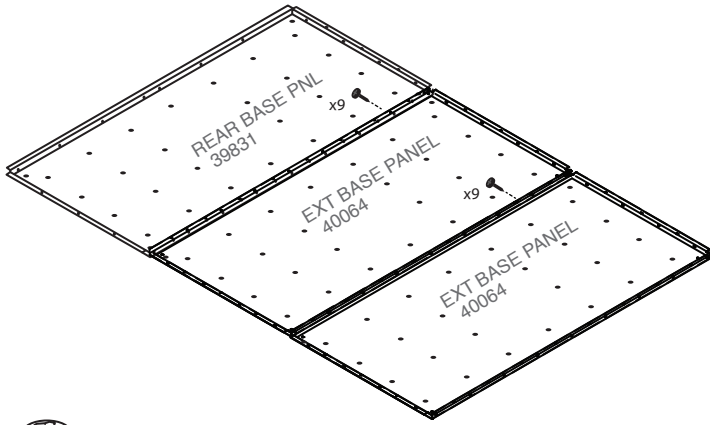


Warning: Please keep this key card safe! Refer to if replacement key is required.

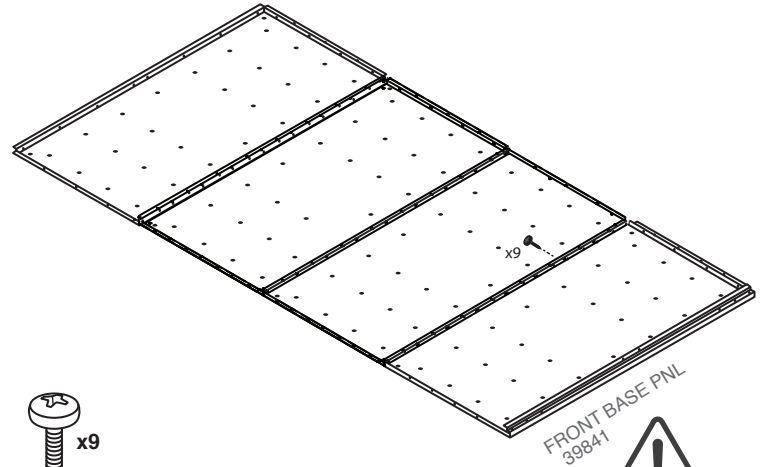


PLEASE NOTE ALL SCREWS ARE FIXED FROM THE INSIDE

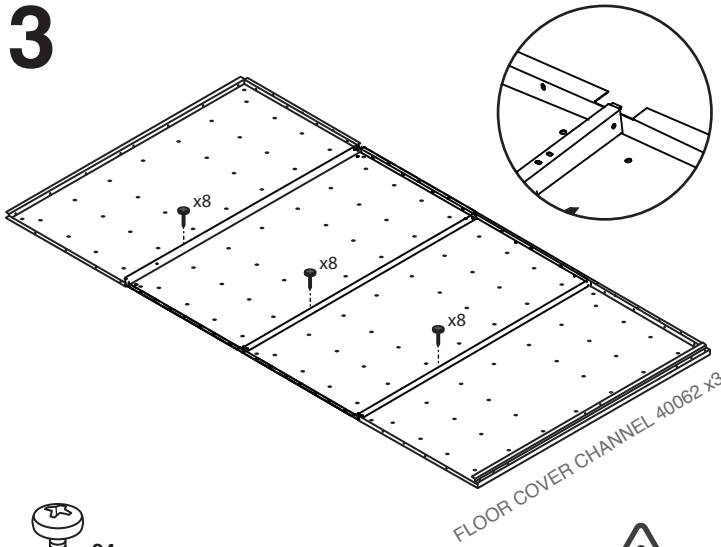
1



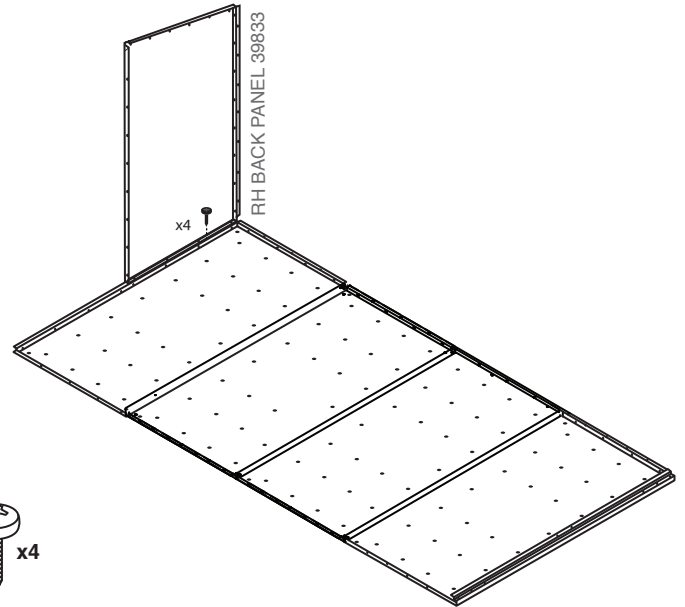
2! IF YOU HAVE AN OPTIONAL RAMP, PLACE UNDERNEATH FRONT BASE PANEL AT THIS STAGE



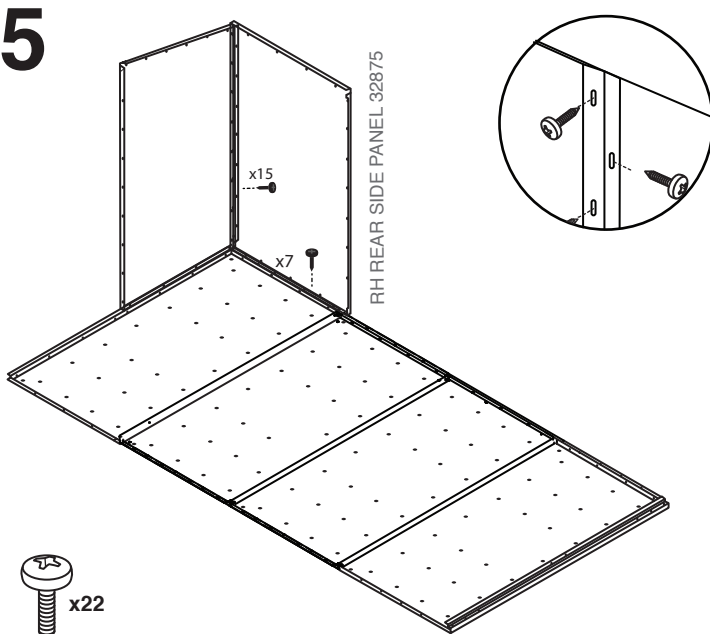
3



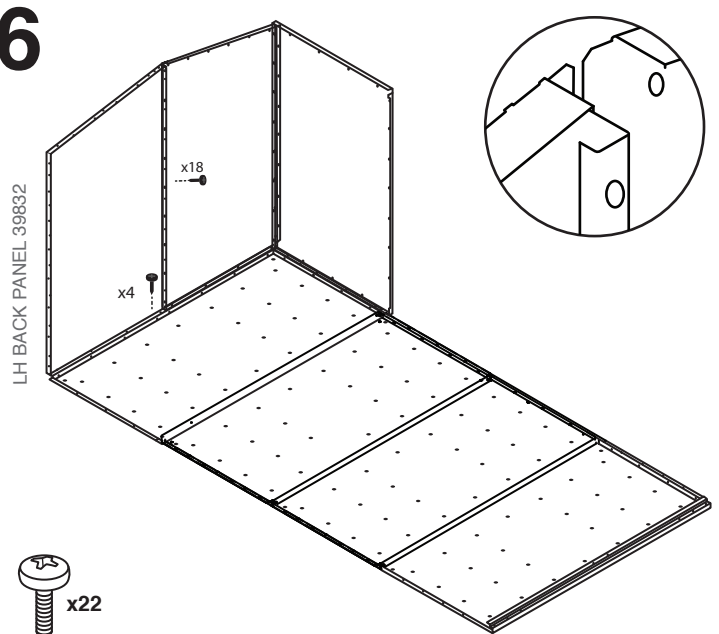
4



5



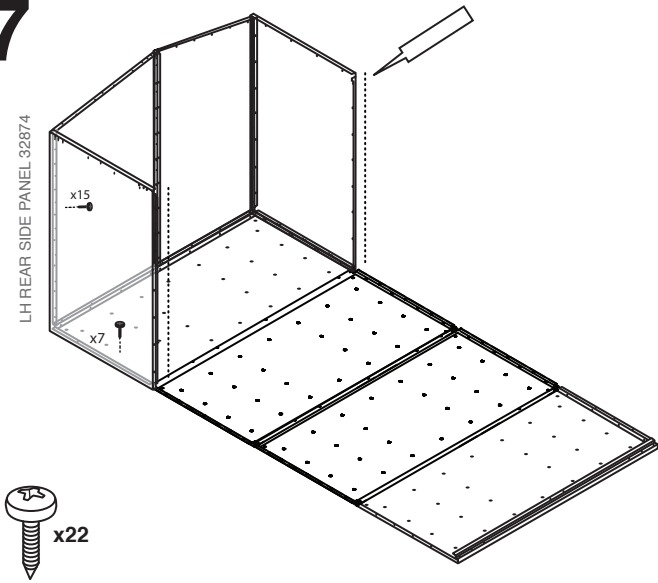
6



PLEASE NOTE ALL SCREWS ARE FIXED FROM THE INSIDE

7

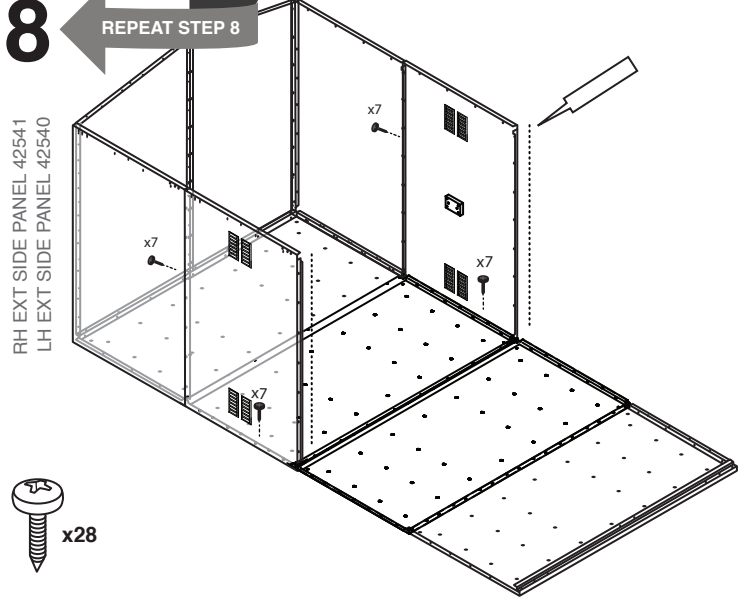
LH REAR SIDE PANEL 32874



8

REPEAT STEP 8

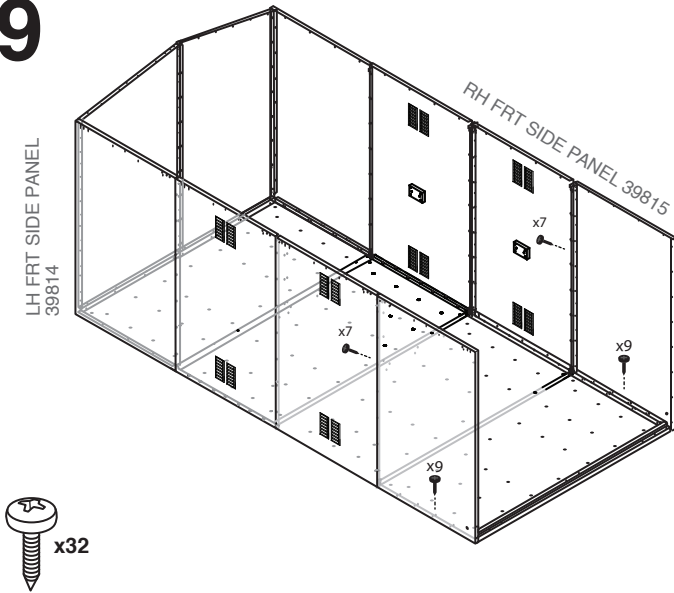
RH EXT SIDE PANEL 42541  
LH EXT SIDE PANEL 42540



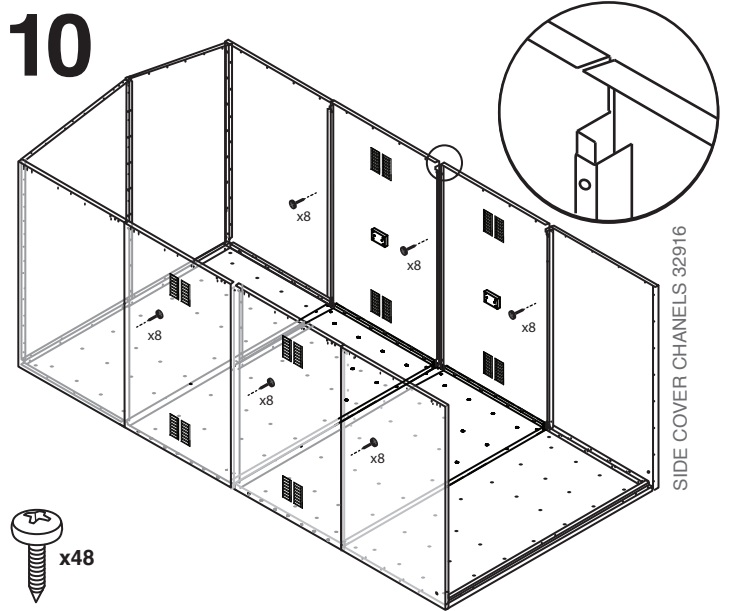
9

LH FRT SIDE PANEL 39814

RH FRT SIDE PANEL 39815

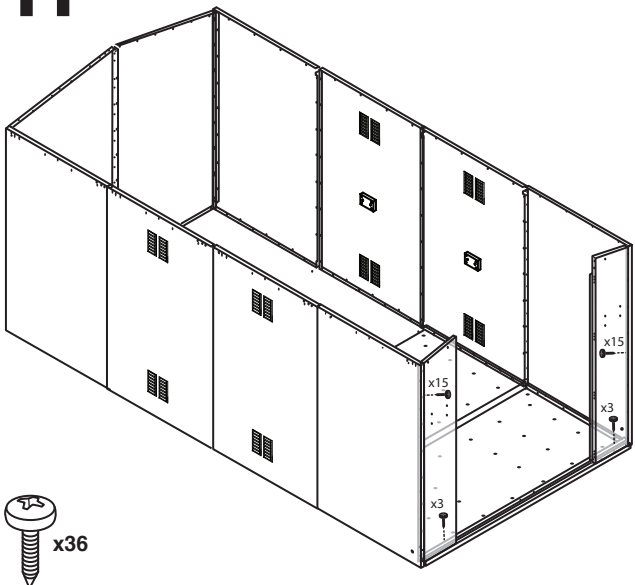


10

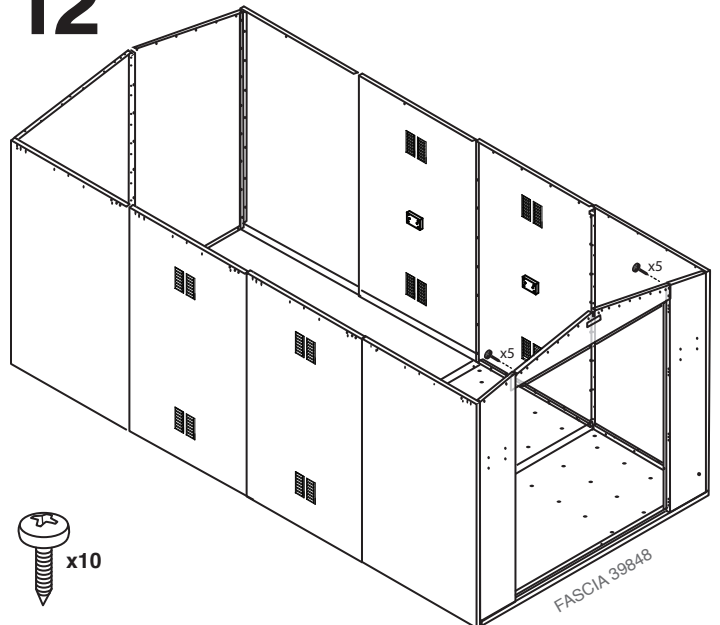


11

RH FRONT PANEL 039861  
LH FRONT PANEL 39860



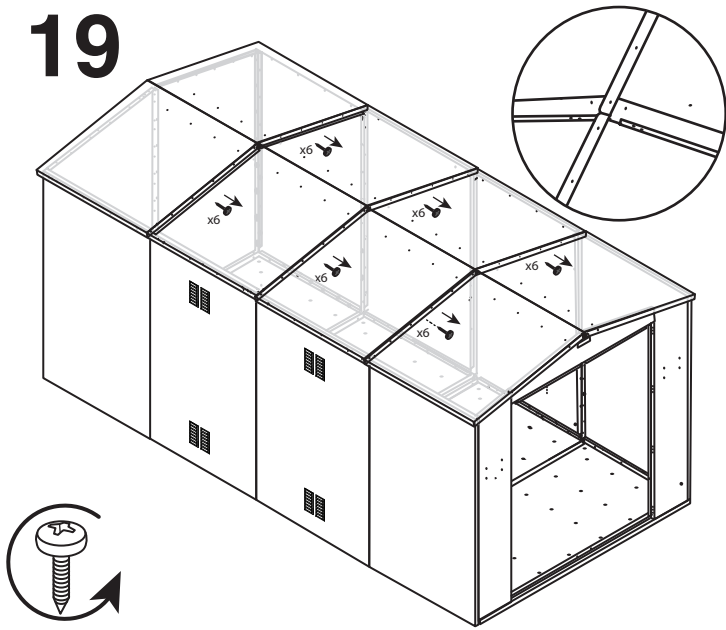
12



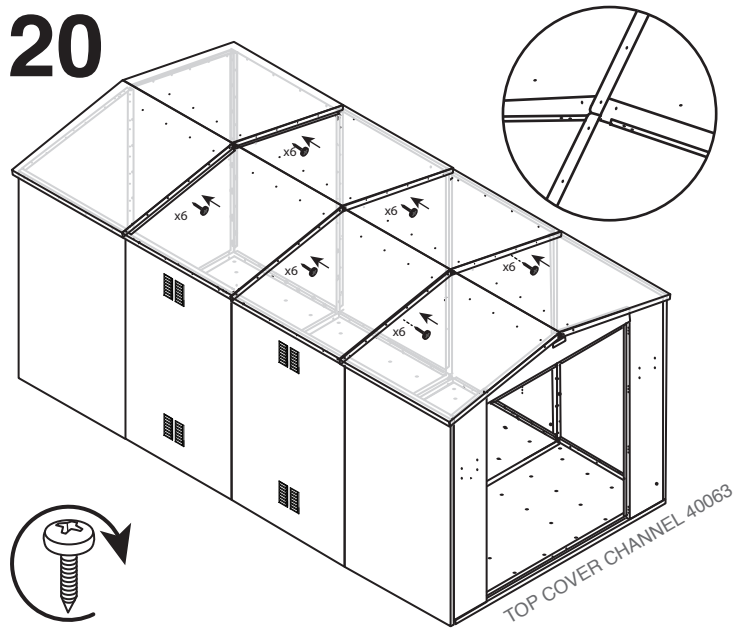


PLEASE NOTE ALL SCREWS ARE FIXED FROM THE INSIDE

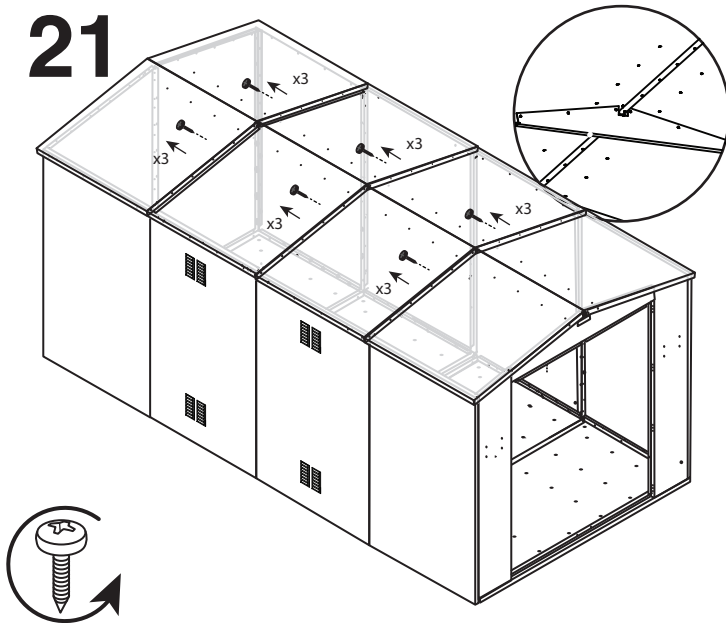
19



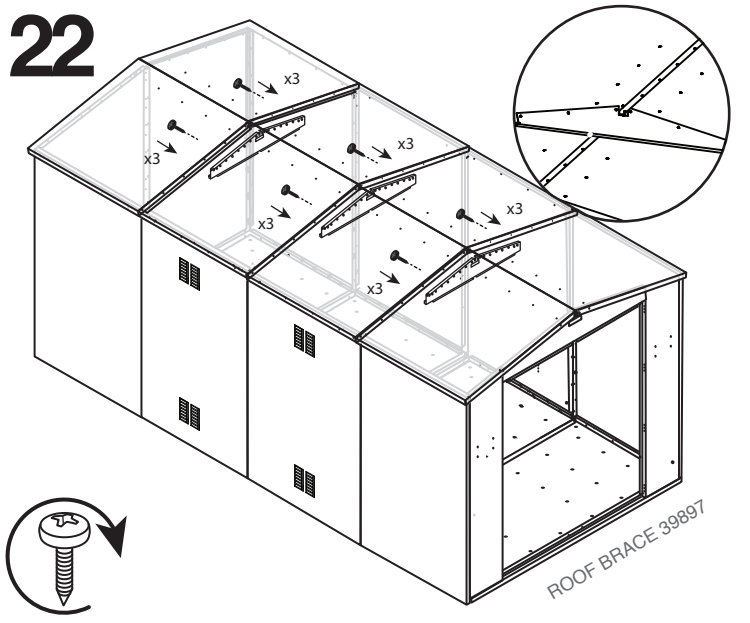
20



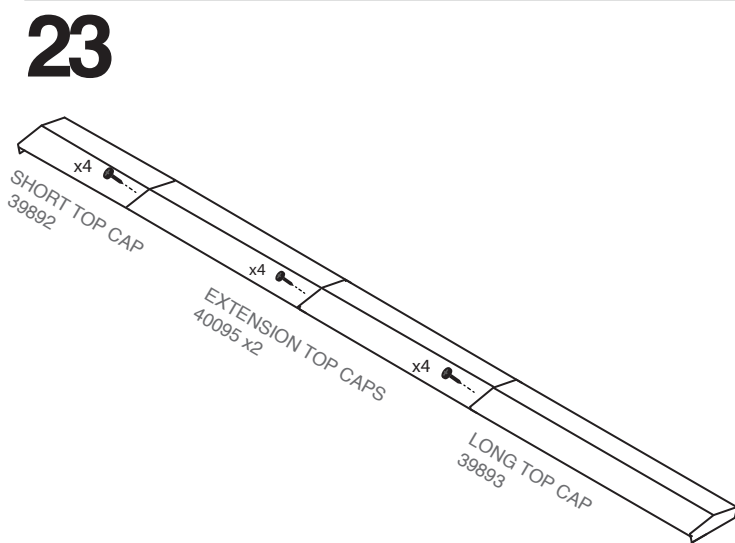
21



22



23



24! NO SCREWS REQUIRED  
TOP END OF STRIP TRAPPED  
UNDER TOP CAP

