

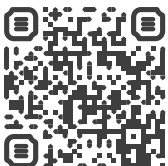
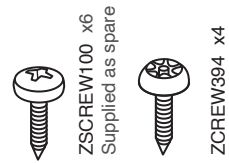
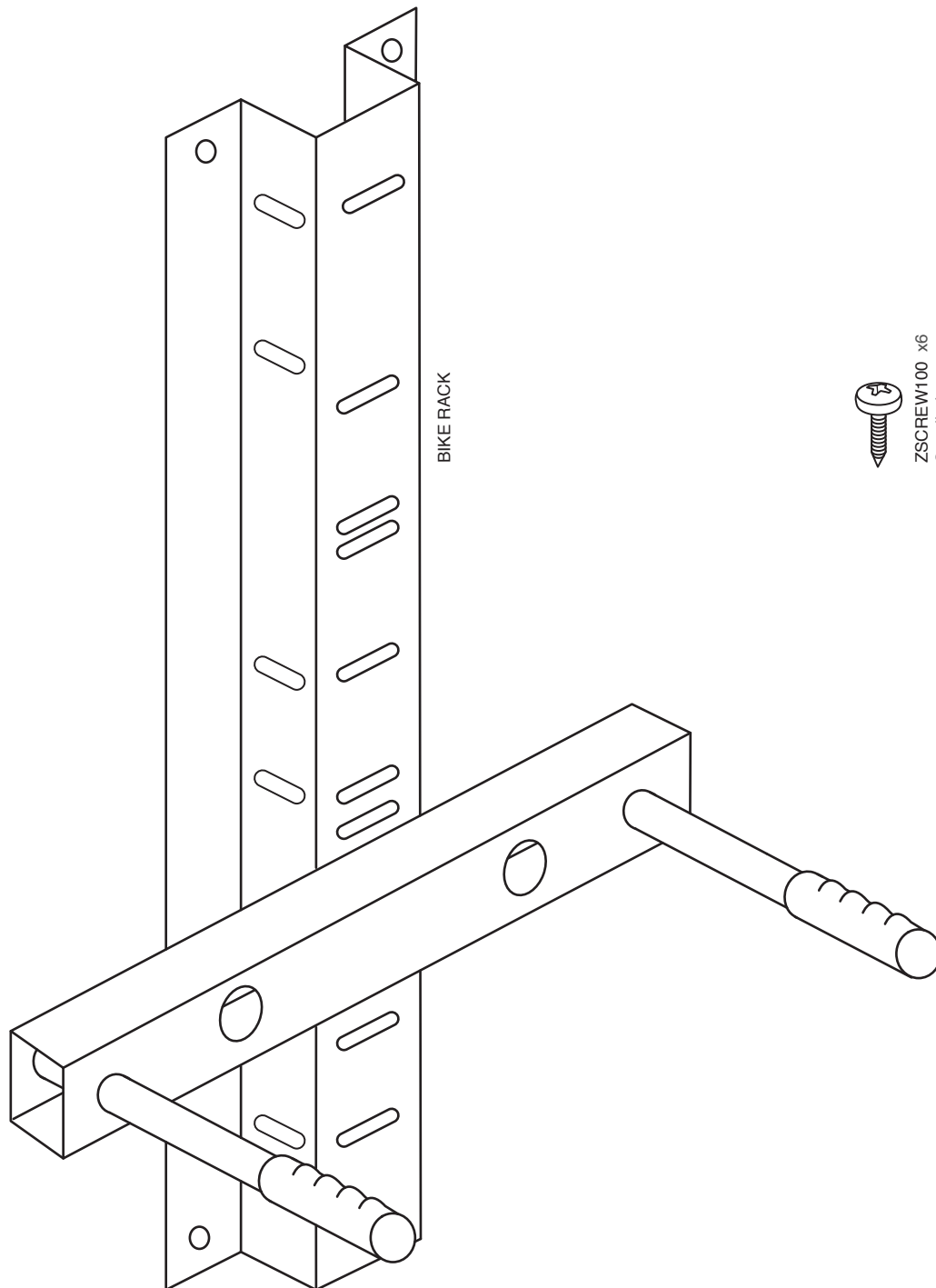
## BIKE HANGER

### COMPATIBILITY

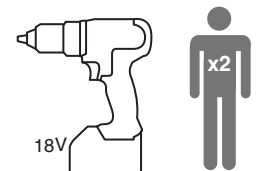
Suitable for the Sentry, Trojan range, Centurion range, Gladiator range and Flexistore range.

### TOOLS REQUIRED

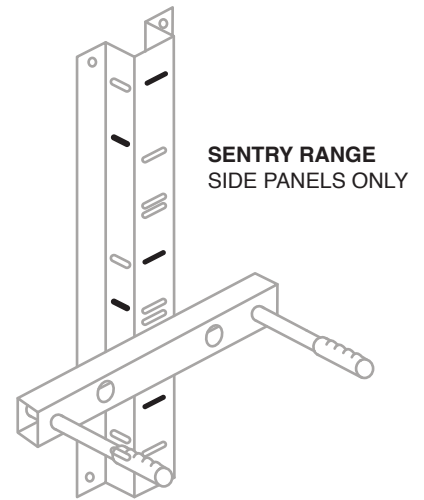
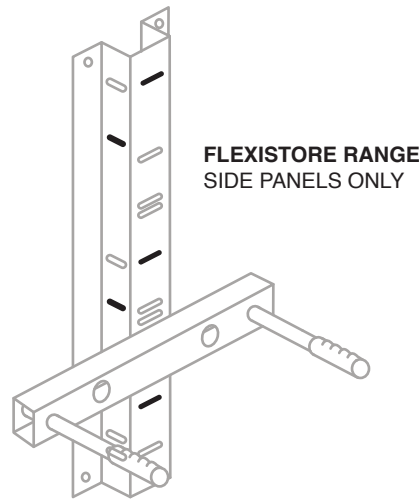
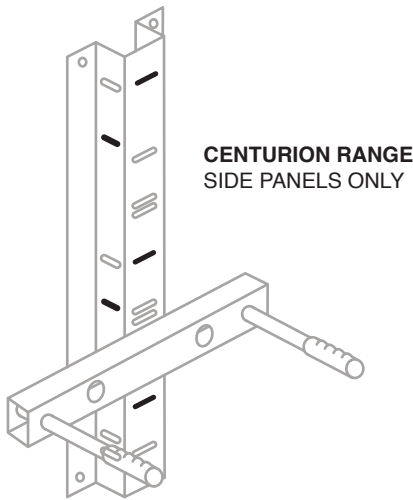
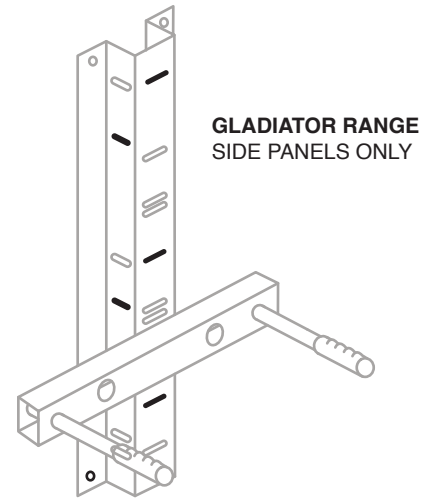
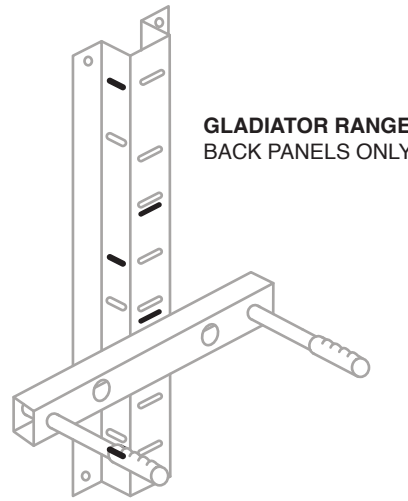
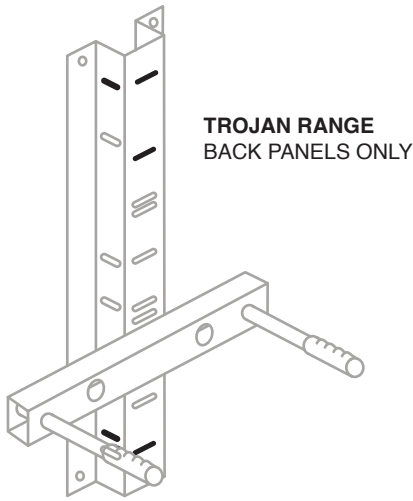
Power driver POSI-DRIV screwdriver. If using security screws provided a pin torx anti tamper screwdriver bit size TX25 is required.



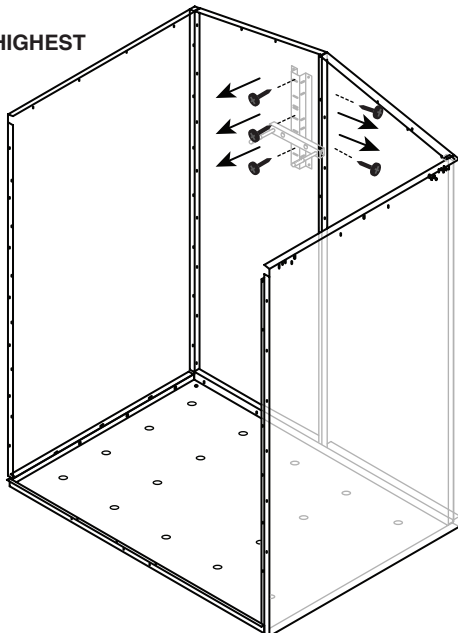
Scan the QR barcode to see our Bike Hanger 'How To' help videos



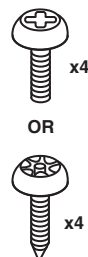
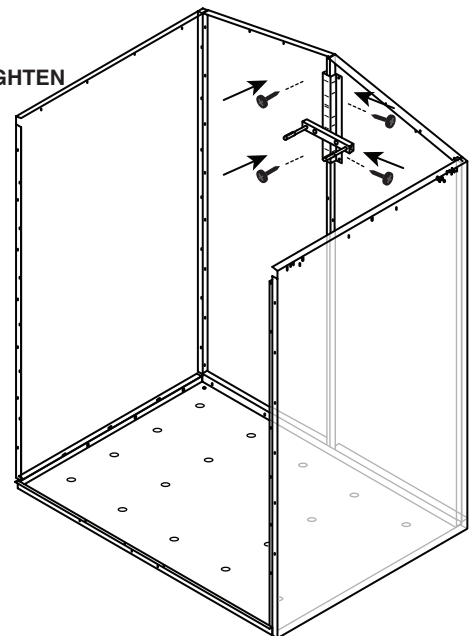
THIS BIKE RACK IS COMPATIBLE FOR MULTIPLE UNITS. ONLY USE THE HOLES WHICH ARE MARKED YOUR UNIT AND DESIRED POSITION.



**1!** ALIGN IN HIGHEST POSITION.



**2!** DO NOT OVERTIGHTEN



[www.asgardsss.co.uk](http://www.asgardsss.co.uk)