

MOTORCYCLE PLUS



BASE INSTRUCTIONS

Flat and firm base. Recommended: concrete, tarmac or paving flags.
 Min. distance from walls/ shrubbery: 1000mm.
 Min. base size (WxDxH) 2410mm x 3790mm x 50mm.

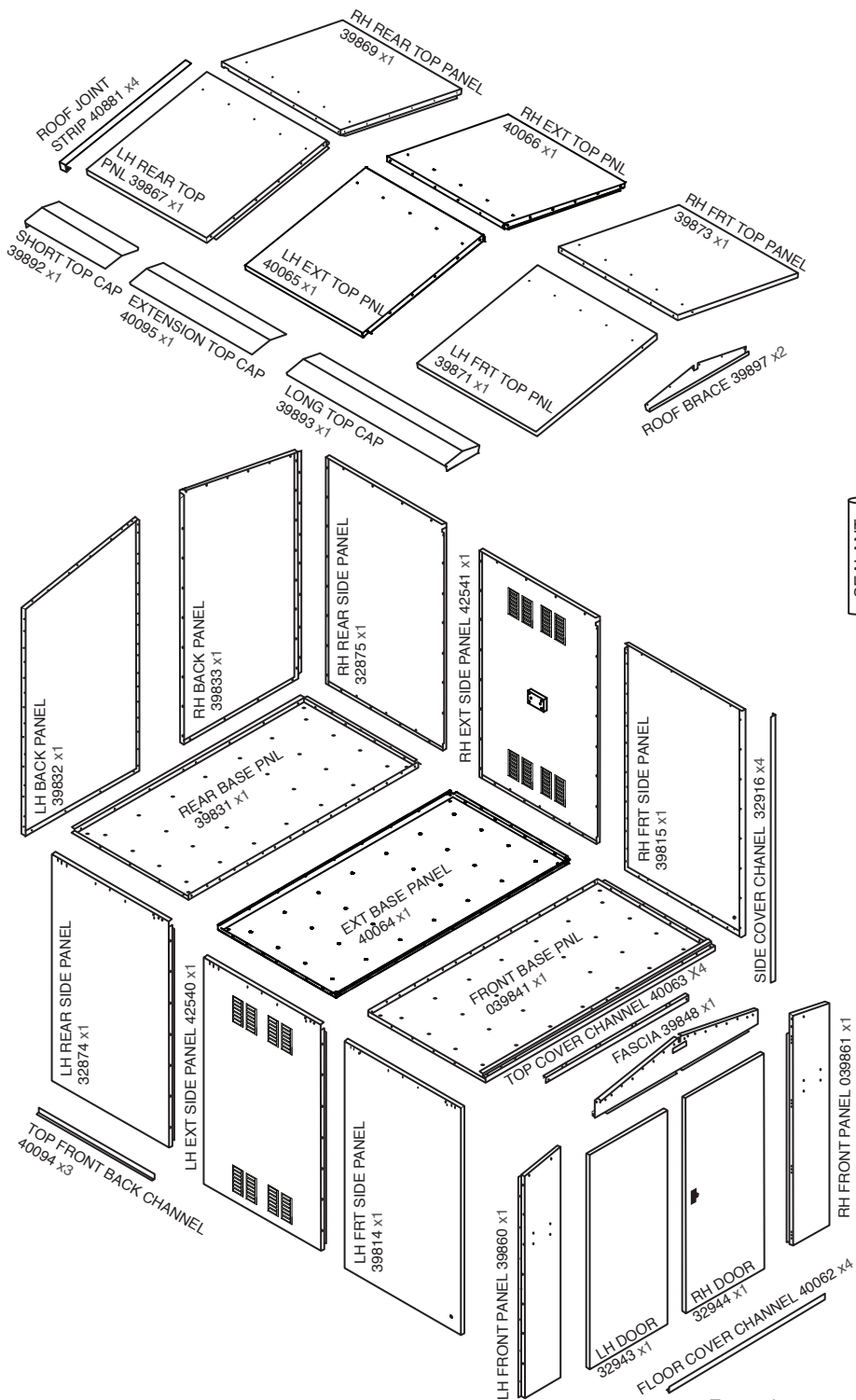
LEVELING THE UNIT

Correctly level the constructed unit using the shims (ZCOMPPLAS) provided prior to fixing the unit to the ground. Slide the packing pieces under the corners of the unit base as required until an equal gap has been achieved around the door allowing for its smooth operation and alignment.

It is always recommended to anchor the unit to the ground. Drill through the four holes in each of the base of the unit using 6mm dia masonry drill to a depth of 70mm. Screw in the anchor fixings. (These have a self cutting thread). If not anchoring the unit, fit the self seal plugs BEFORE BUILDING to block the fixing holes from underneath. **Please note, product must be bolted down to comply with LPS1175**

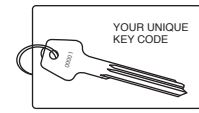
TOOLS REQUIRED

Power driver POSI-DRIV screwdriver, 6mm dia. masonry drill and a 10mm socket or spanner.



Warning: some panels may weigh over 20Kg Beware of manual handling

- SEALANT ZSILCOL1 x2
- ZSCREW32 x12
- ZCOMPPLZS02 x12
- ZCOMPPLAS22-23-24 x18
6x 2mm, 6x 3mm, 6x 5mm
- 32670 x22
- ZSCREW340 x24
- ZSCREW100 x406
- ZSCREW04 x4

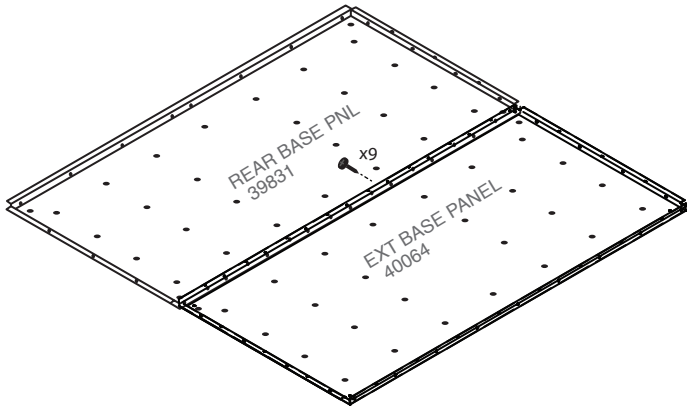


Warning: Please keep this key card safe! Refer to if replacement key is required.

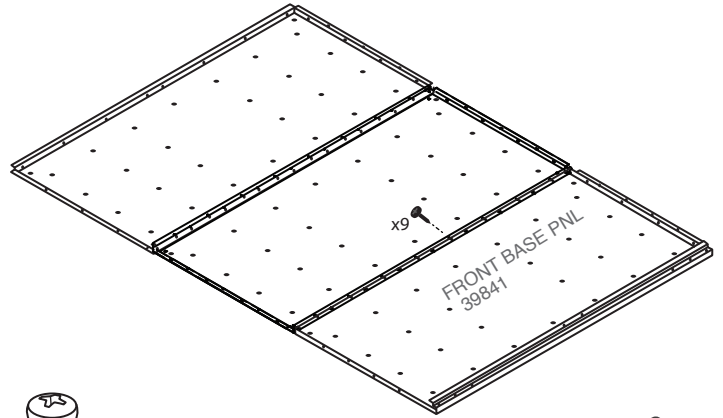
- Posi-Driv Screwdriver
- 6mm Dia.
- 10mm Spanner
- 18V
- x2

PLEASE NOTE ALL SCREWS ARE FIXED FROM THE INSIDE

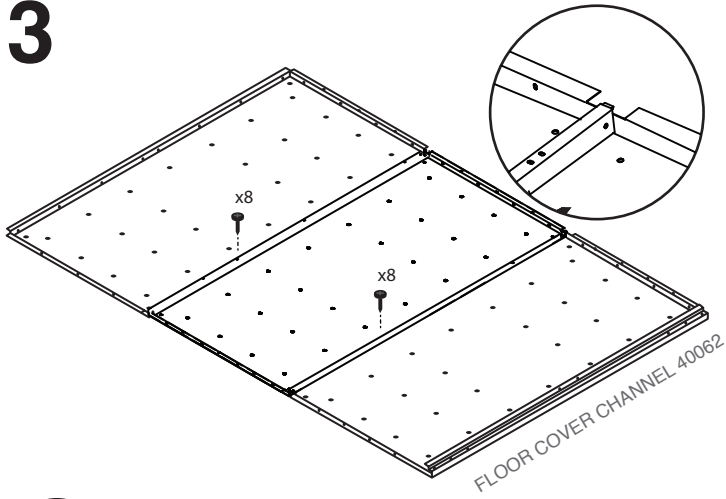
1



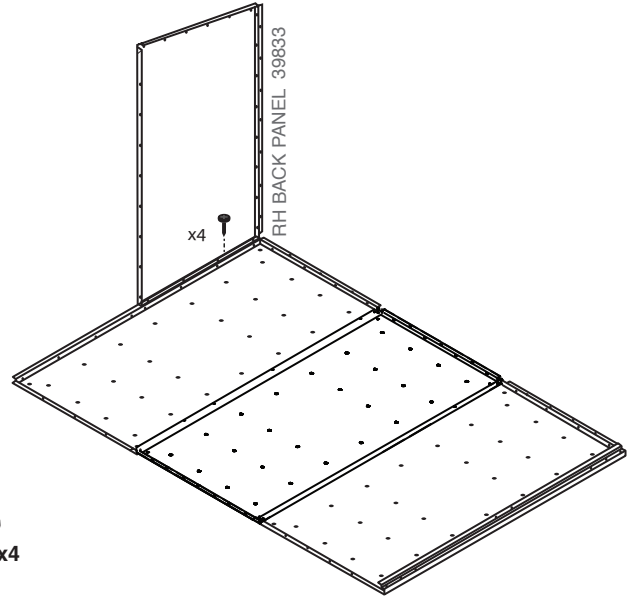
2! IF YOU HAVE AN OPTIONAL RAMP, PLACE UNDERNEATH FRONT BASE PANEL AT THIS STAGE



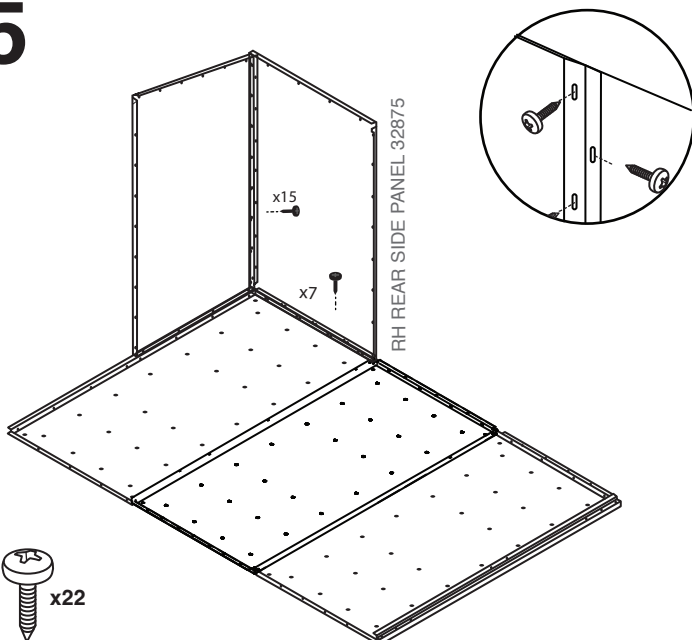
3



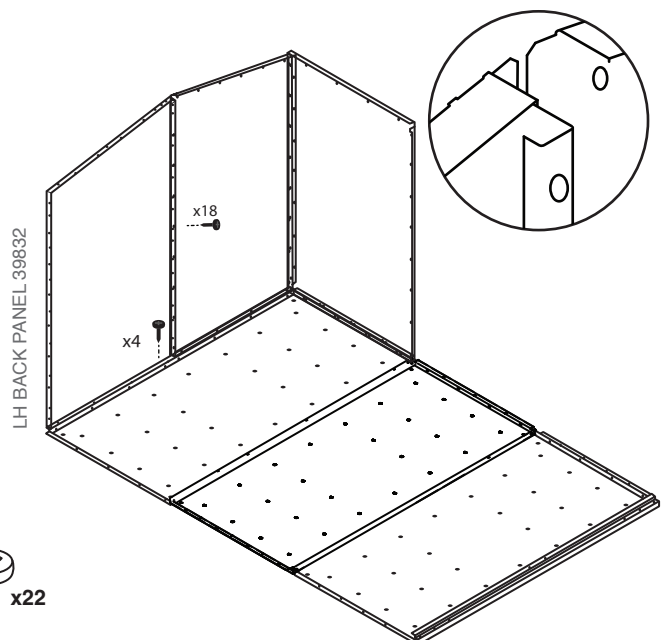
4



5



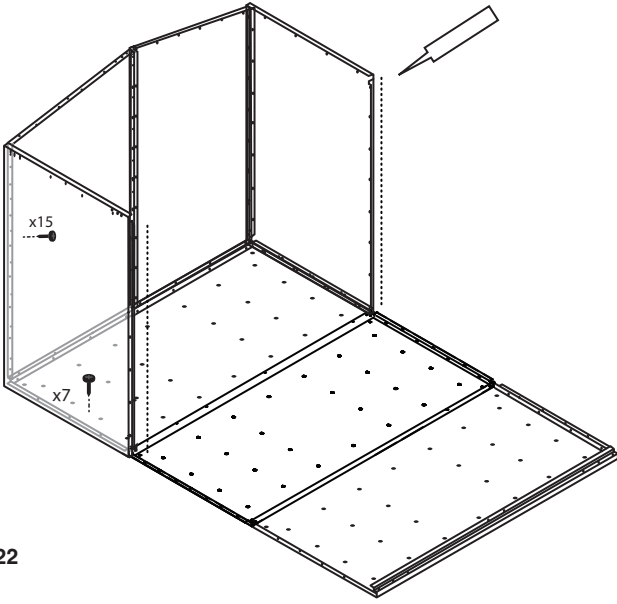
6



PLEASE NOTE ALL SCREWS ARE FIXED FROM THE INSIDE

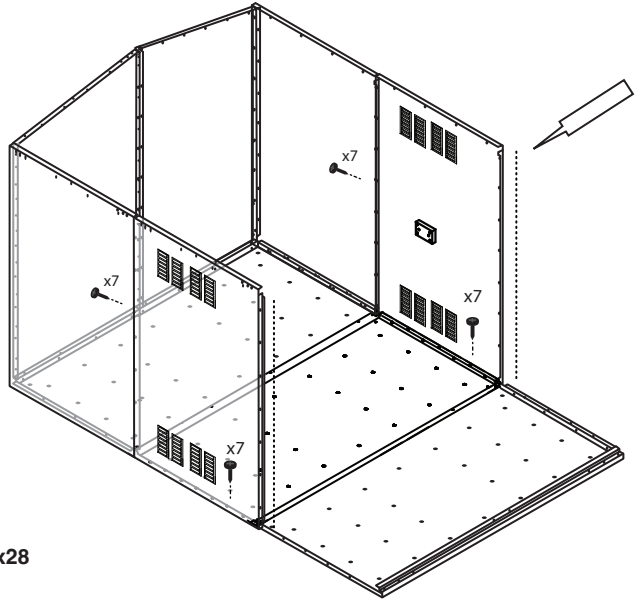
7

LH REAR SIDE PANEL 32874



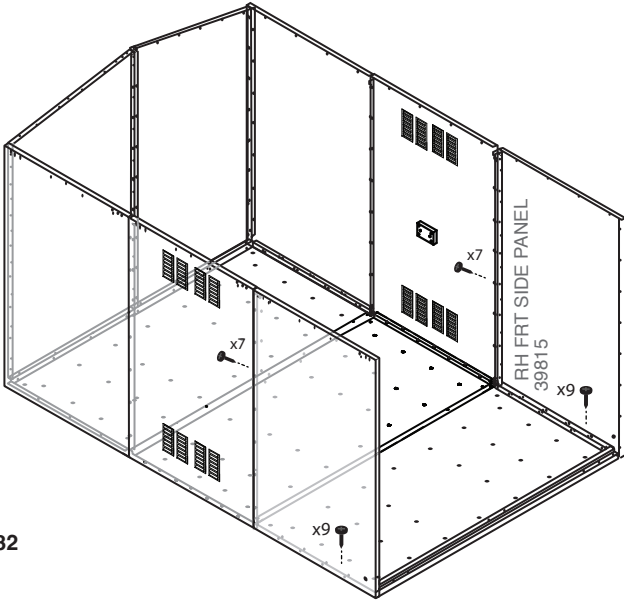
8

RH EXT SIDE PANEL 42541
LH EXT SIDE PANEL 42540



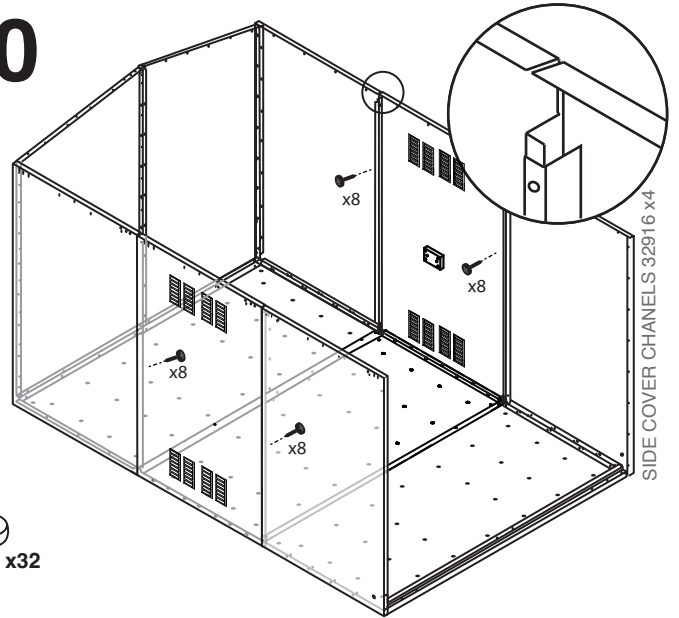
9

LH FRT SIDE PANEL 39814



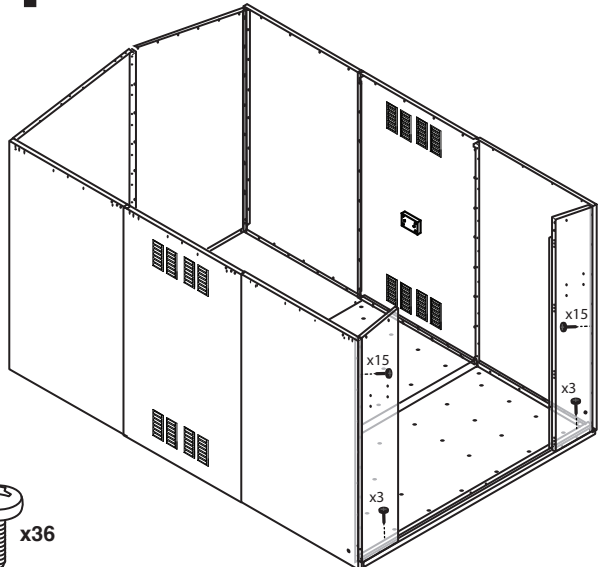
10

SIDE COVER CHANNELS 32916 x4



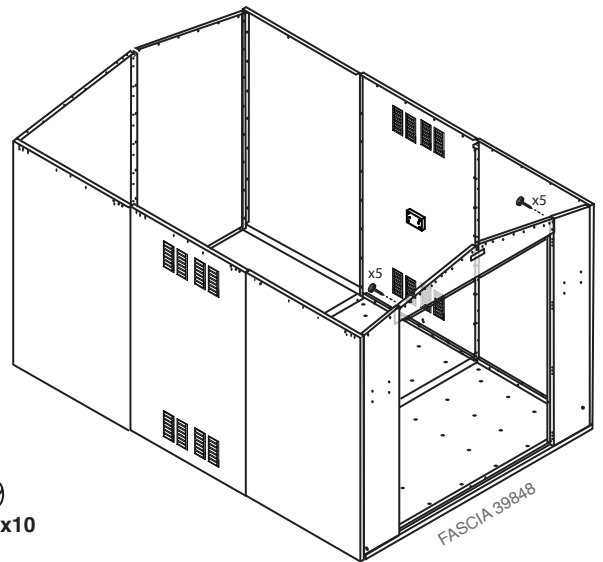
11

RH FRONT PANEL 39861
LH FRONT PANEL 39860



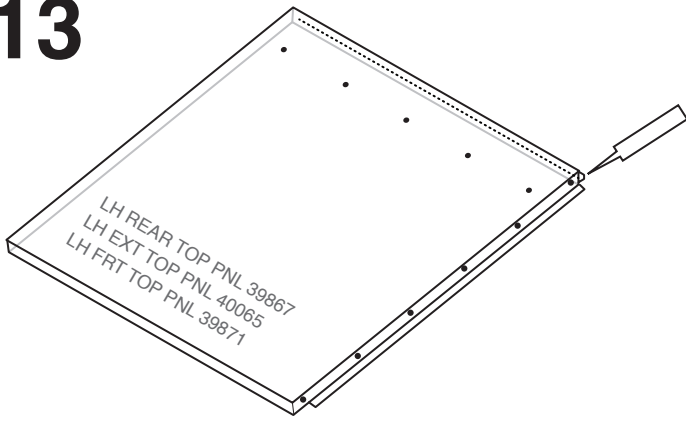
12

FASCIA 39848

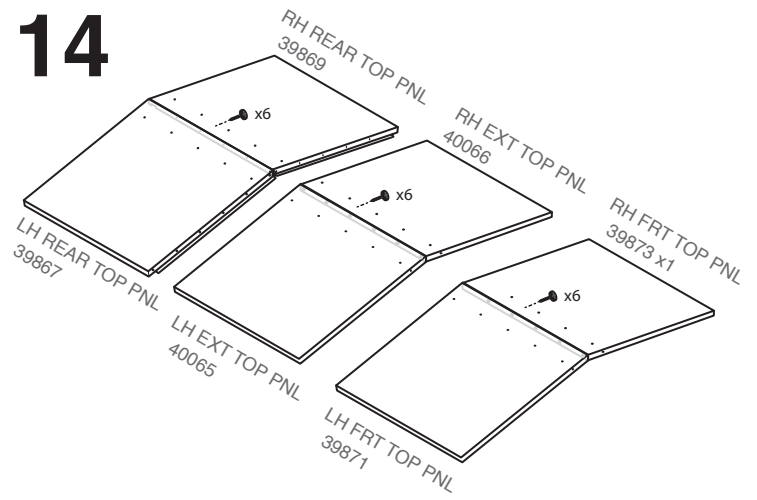


PLEASE NOTE ALL SCREWS ARE FIXED FROM THE INSIDE

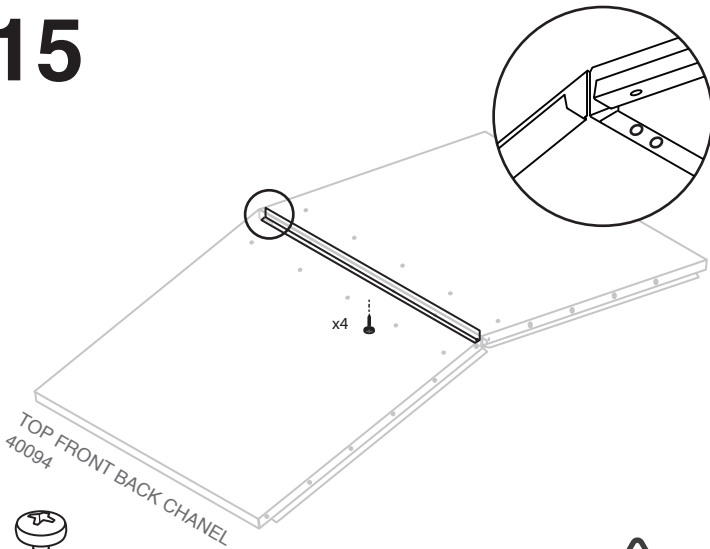
13



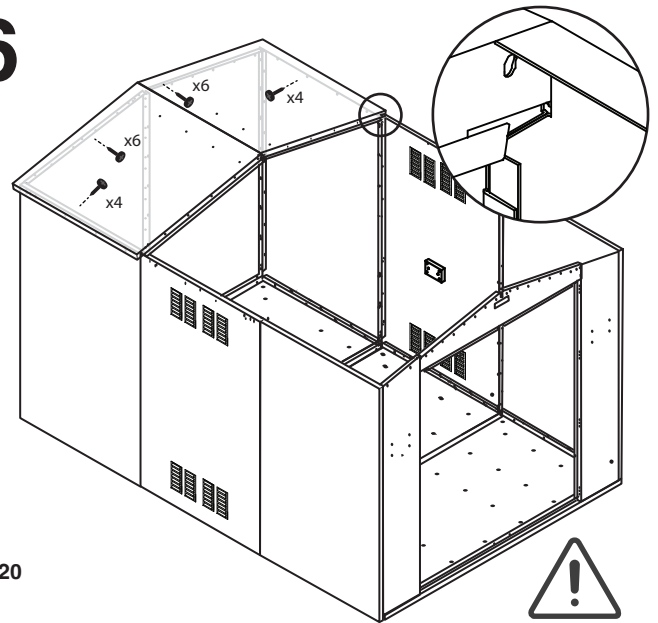
14



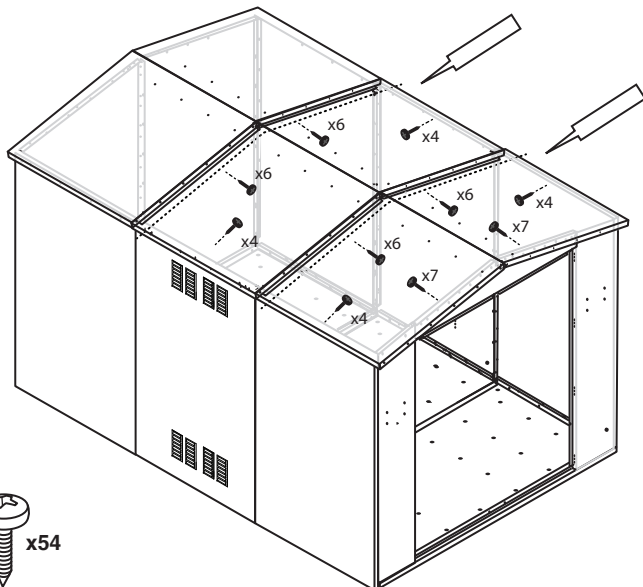
15



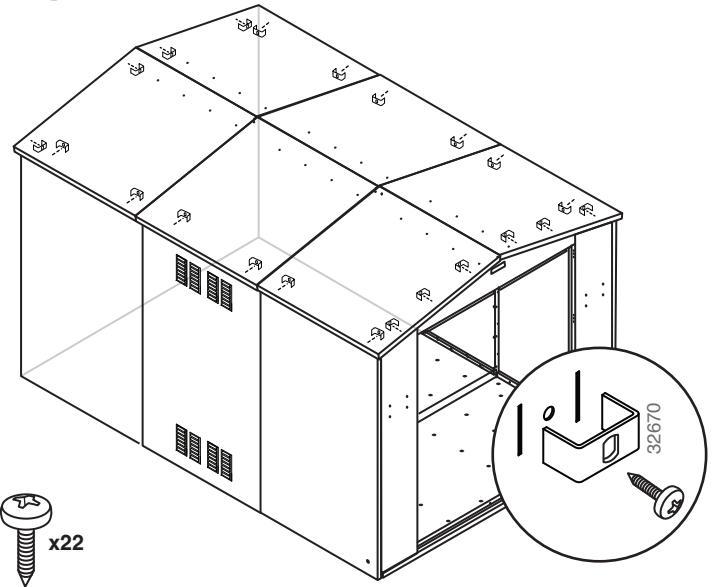
16



17

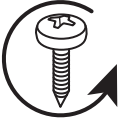
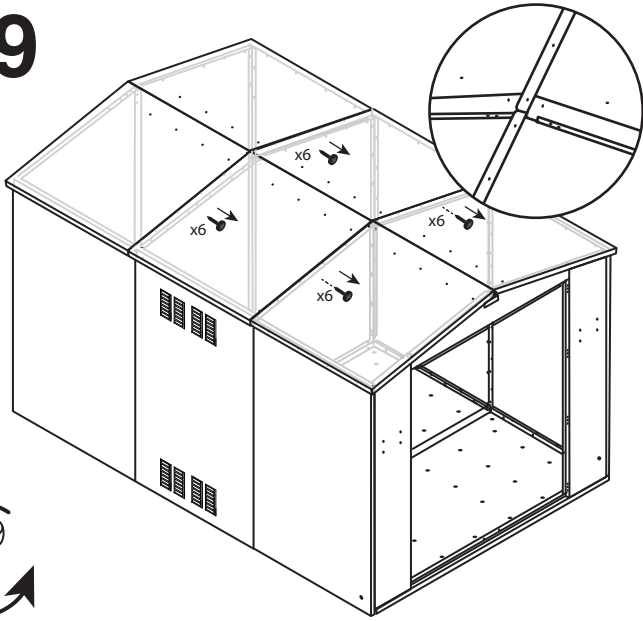


18

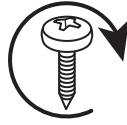
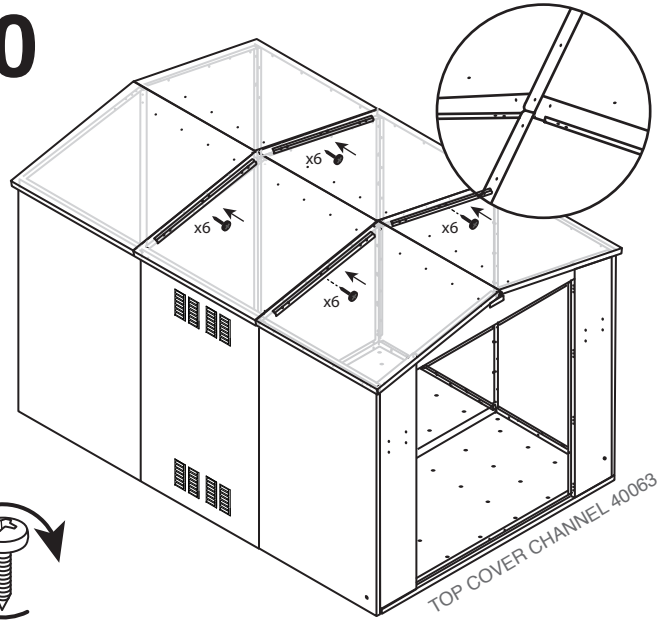


PLEASE NOTE ALL SCREWS ARE FIXED FROM THE INSIDE

19

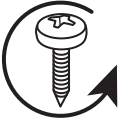
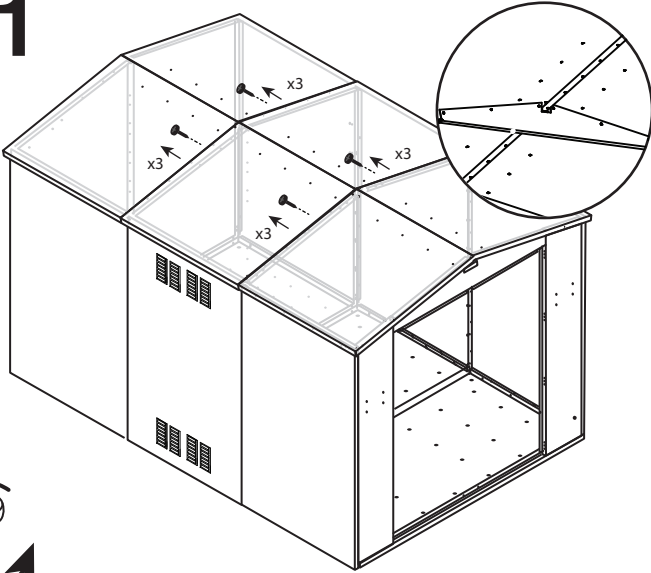


20

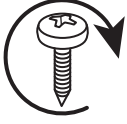
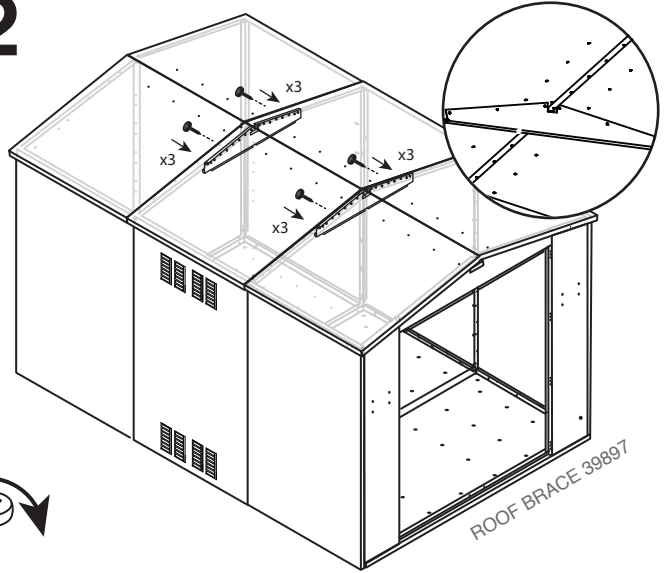


TOP COVER CHANNEL 40063

21

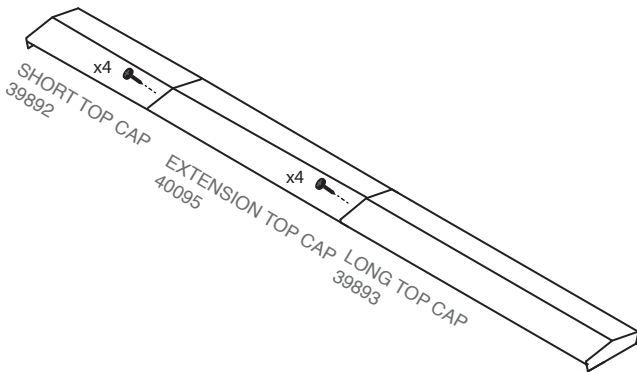


22

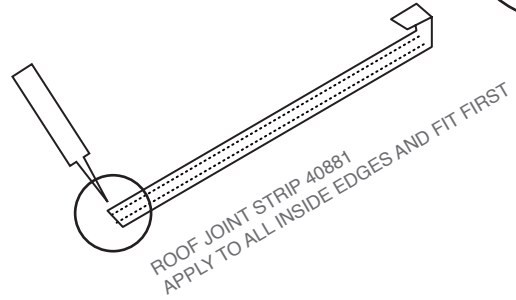
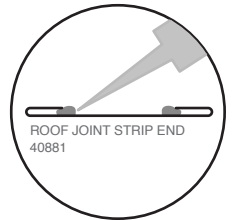


ROOF BRACE 39897

23



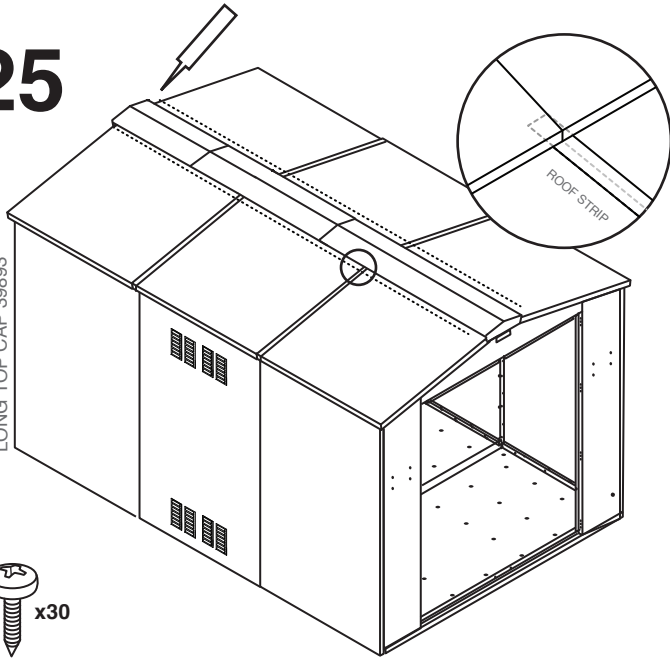
24! NO SCREWS REQUIRED
TOP END OF STRIP TRAPPED
UNDER TOP CAP



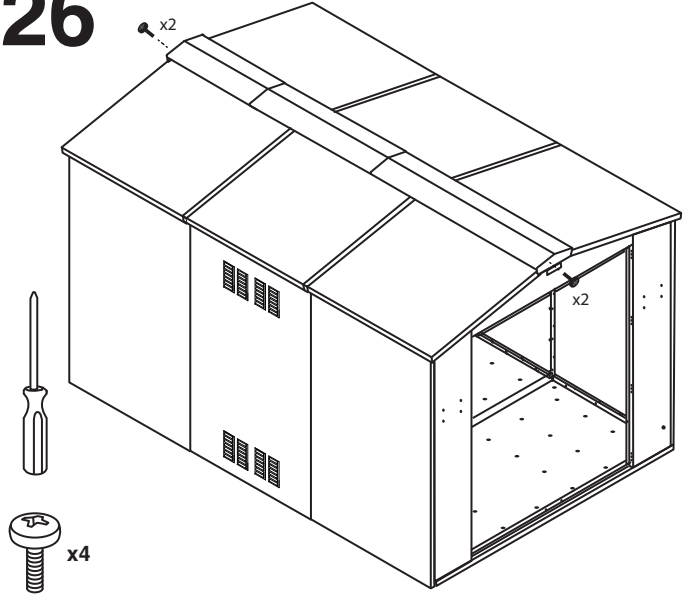
ROOF JOINT STRIP 40881
APPLY TO ALL INSIDE EDGES AND FIT FIRST

25

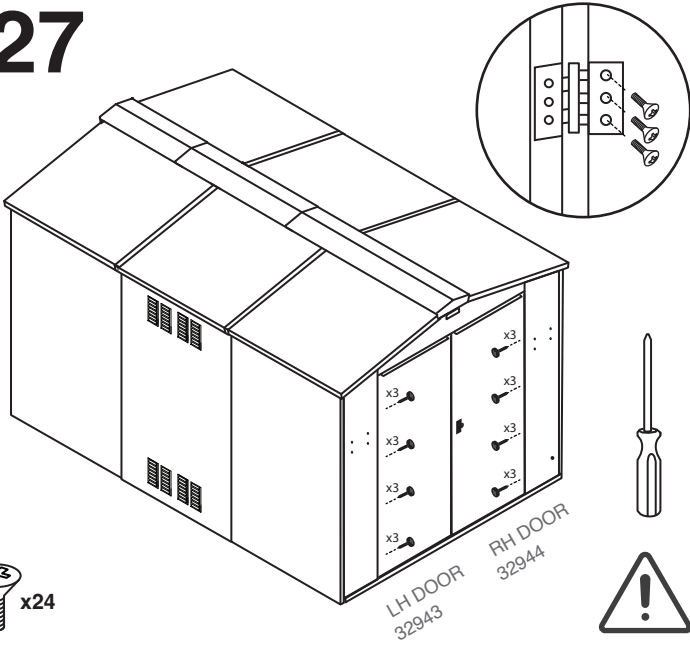
SHORT TOP CAP 39892
EXTENSION TOP CAP 40095
LONG TOP CAP 39893



26

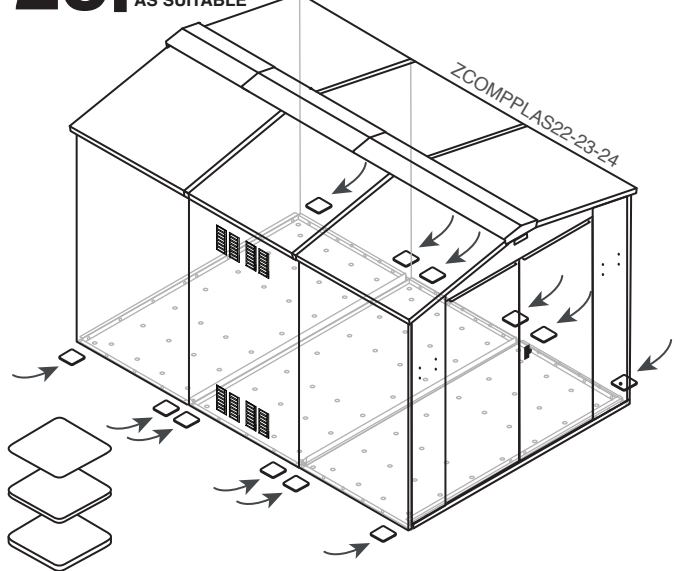


27



LH DOOR 32943
RH DOOR 32944

28!

 LEVEL SHED UNTIL DOORS ALIGN USING ZCOMPLAS AS SUITABLE

29

