

## TROJAN PLUS E

### BASE INSTRUCTIONS

Flat and firm base. Recommended: concrete, tarmac or paving flags.  
 Min. distance from walls/ shrubbery: 1000mm.  
 Min. base size (WxDxH) 2350mm x 1100mm x 50mm.

### LEVELING THE UNIT

Correctly level the constructed unit using the shims (ZCOMPPLAS) provided prior to fixing the unit to the ground. Slide the packing pieces under the corners of the unit base as required until an equal gap has been achieved around the door allowing for its smooth operation and alignment.

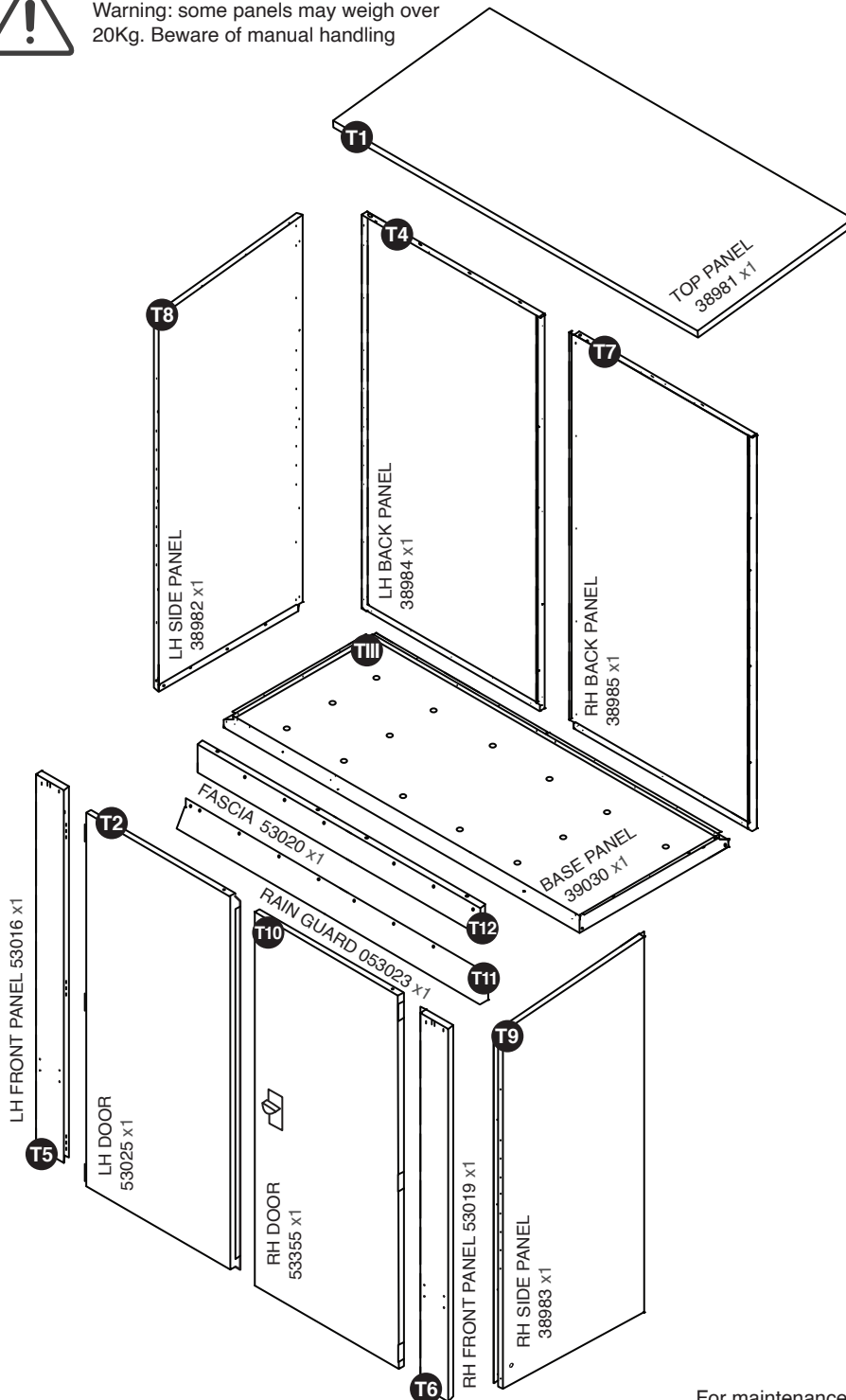
It is always recommended to anchor the unit to the ground. Drill through the four holes in the base of the unit using 6mm dia masonry drill to a depth of 70mm. Screw in the anchor fixings. (These have a self cutting thread). **If not anchoring the unit, fit the 4 self-seal plugs BEFORE BUILDING to block the fixing holes underneath. Fit 4 self-seal plugs in the side of base to stop water from entering the unit.**

### TOOLS REQUIRED

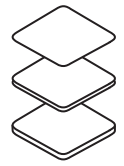
Power driver POSI-DRIV screwdriver, 6mm dia. masonry drill and a 10mm socket or spanner.



Warning: some panels may weigh over 20Kg. Beware of manual handling



ZSCREW32 x4



ZCOMPPLAS22-23-24 x12  
 2x 2mm, 2x 3mm, 2x 5mm



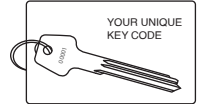
ZSCREW340 x18



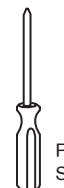
ZSCREW61 x130



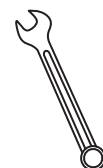
ZCOMPPLAS39 x2



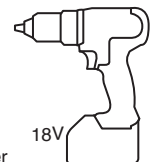
Warning: Please keep this key card safe! Refer to if replacement key is required.



Posi-Driv Screwdriver



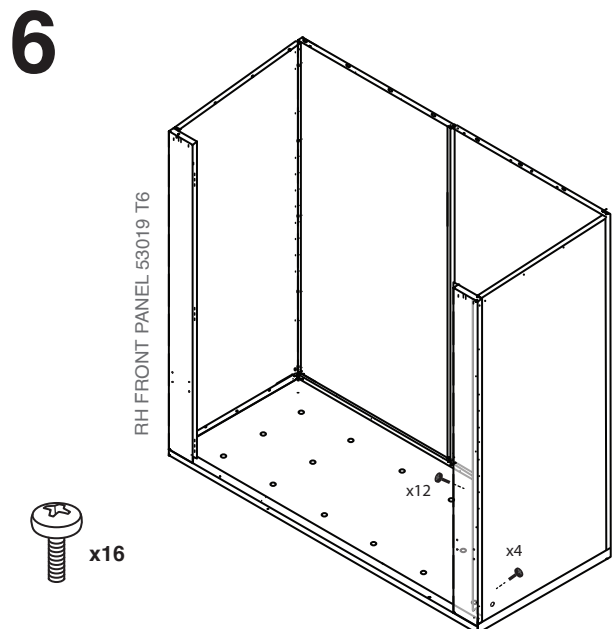
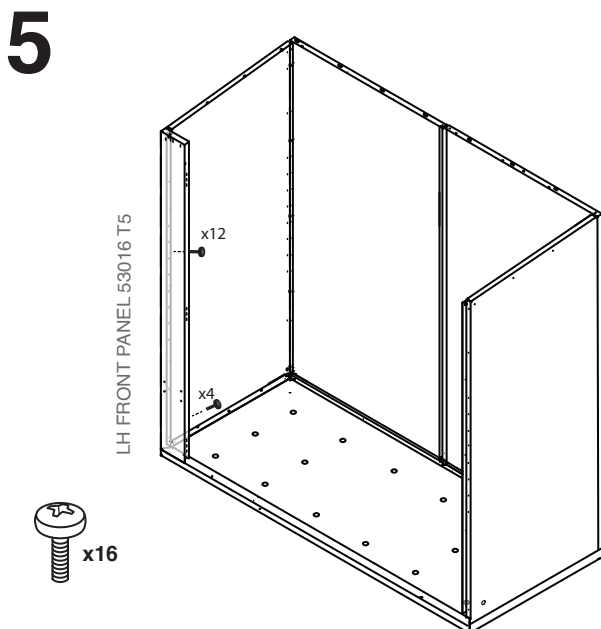
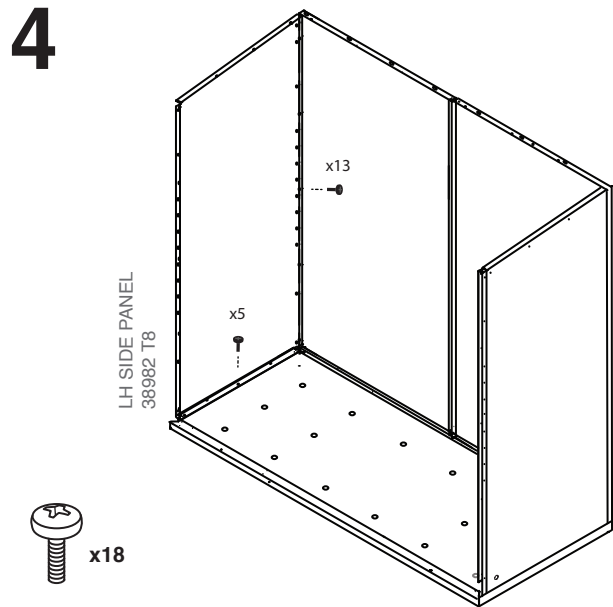
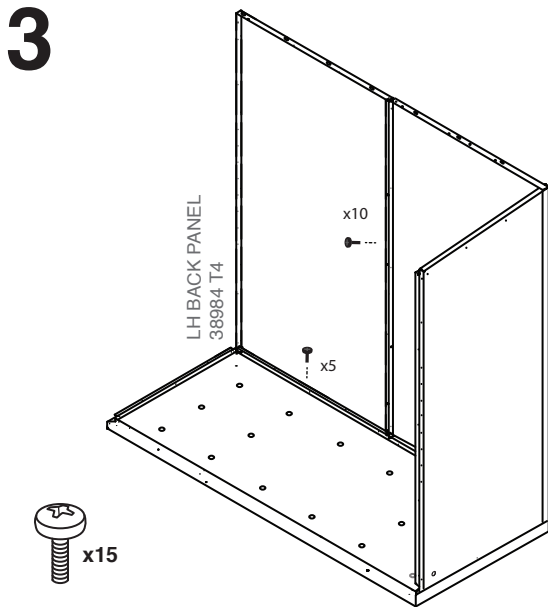
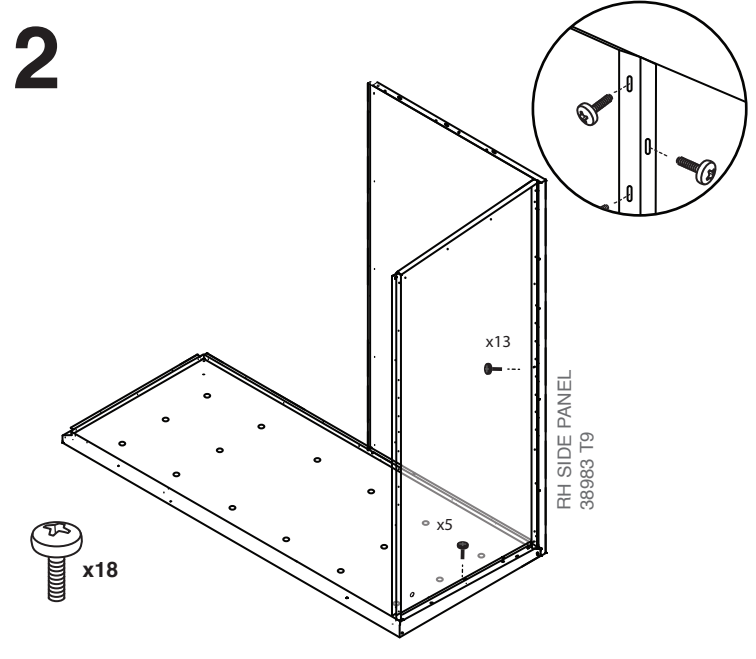
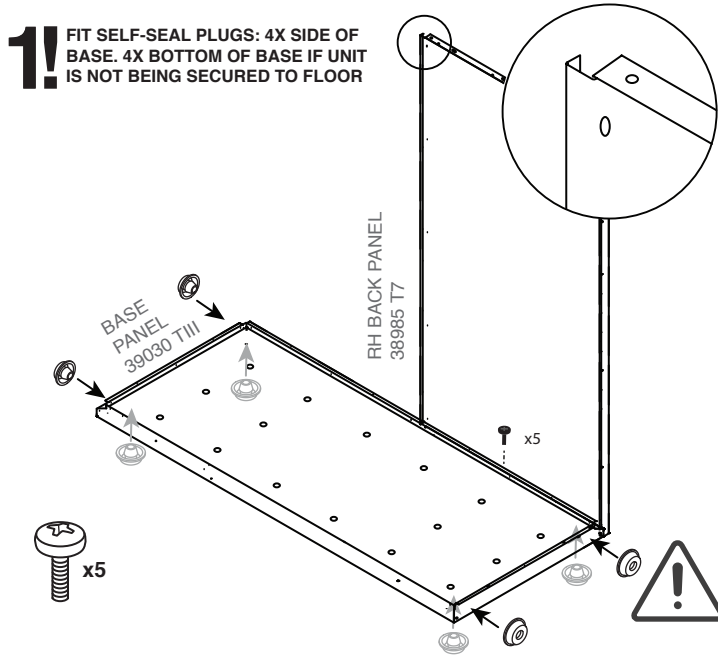
10mm Spanner



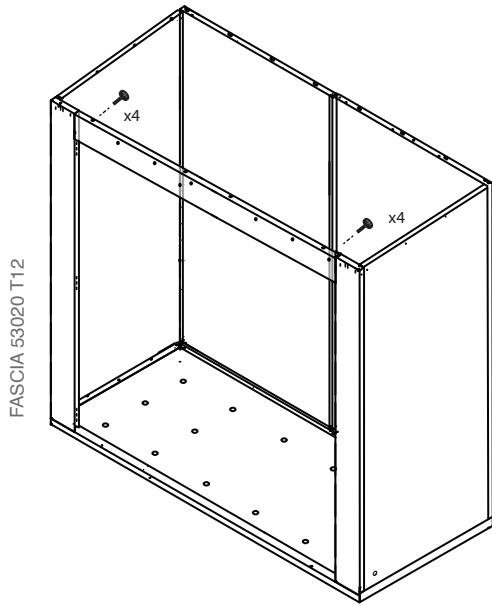
18V



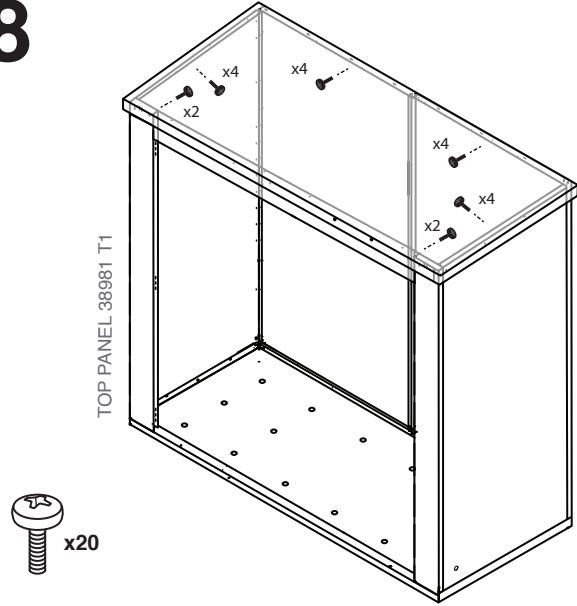
PLEASE NOTE ALL SCREWS ARE FIXED FROM THE INSIDE



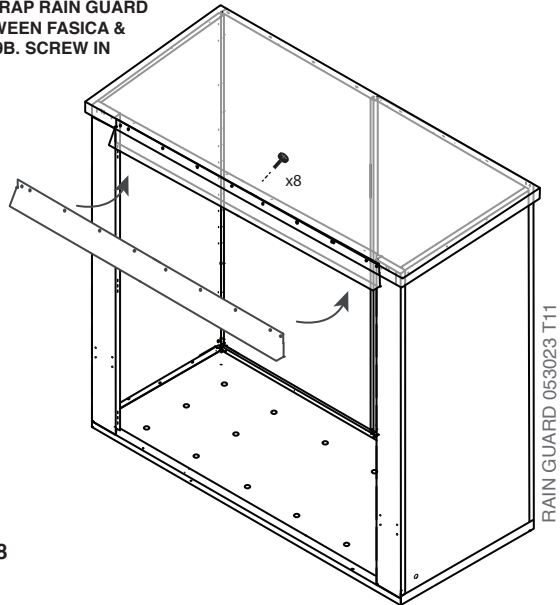
# 7



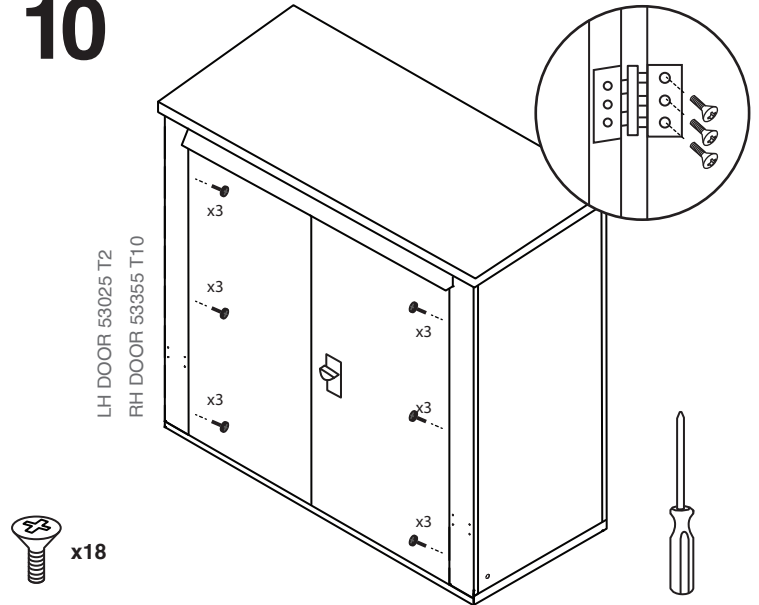
# 8



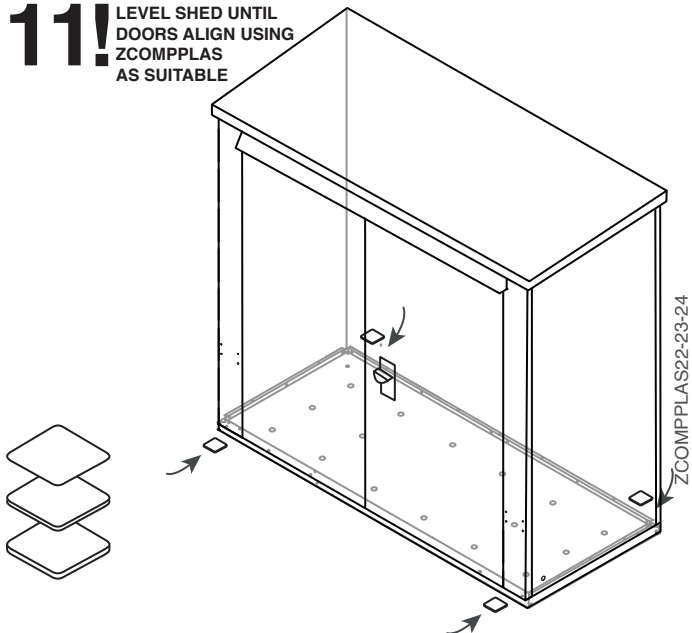
# 9!

 9A. TRAP RAIN GUARD BETWEEN FASCIA & LID. 9B. SCREW IN

# 10



# 11!

 LEVEL SHED UNTIL DOORS ALIGN USING ZCOMPPLAS AS SUITABLE

# 12

