

FLEXISTORE 1533

BASE INSTRUCTIONS

Flat and firm base. Recommended: concrete, tarmac or paving flags.
 Min. distance from walls/ shrubbery: 1000mm.
 Min. base size (WxDxH) 1730mm x 3770mm x 50mm.

LEVELING THE UNIT

Correctly level the constructed unit using the shims (ZCOMPPLAS) provided prior to fixing the unit to the ground. Slide the packing pieces under the corners of the unit base as required until an equal gap has been achieved around the door allowing for its smooth operation and alignment.

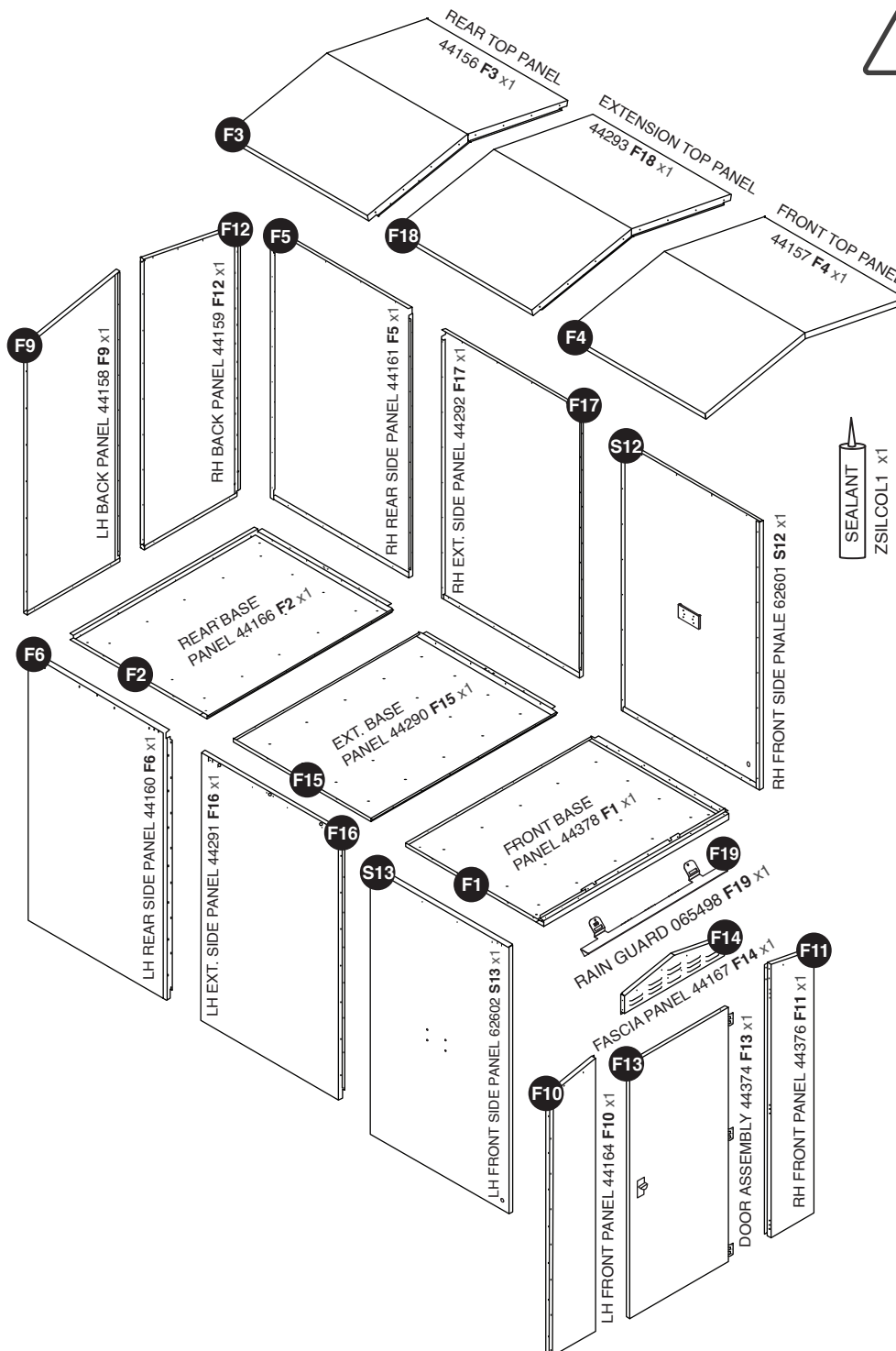
It is always recommended to anchor the unit to the ground. Drill through the four holes in the base of the unit using 6mm dia masonry drill to a depth of 70mm. Screw in the anchor fixings. (These have a self cutting thread). If not anchoring the unit, fit the self seal plugs BEFORE BUILDING to seal the fixing holes from underneath.

TOOLS REQUIRED

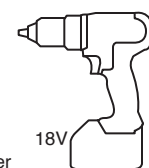
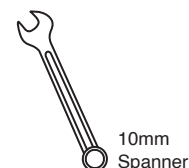
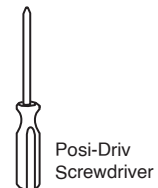
Power driver POSI-DRIV screwdriver, 6mm dia. masonry drill, a 10mm socket or spanner.



Warning: some panels may weigh over 20Kg. Beware of manual handling

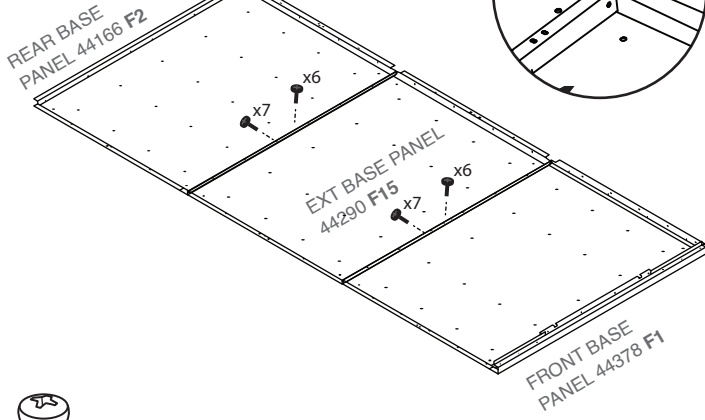


Warning: Please keep this key card safe! Refer to it if replacement key is required.

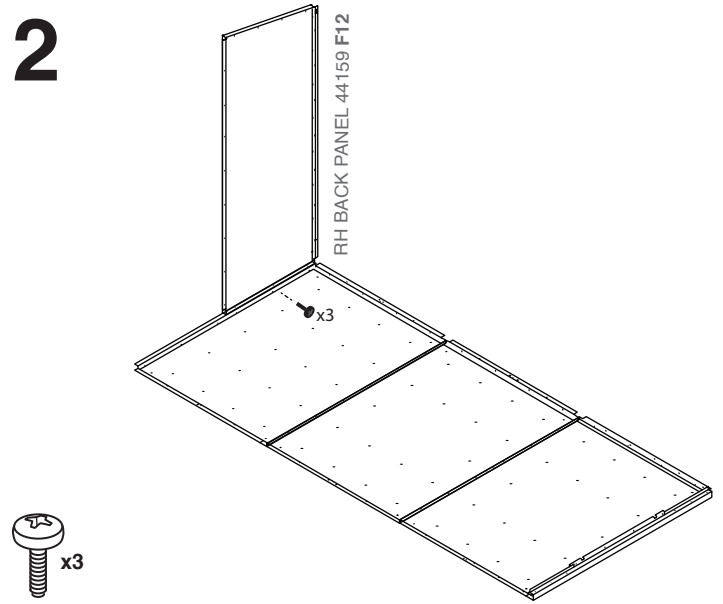


PLEASE NOTE ALL SCREWS ARE FIXED FROM THE INSIDE

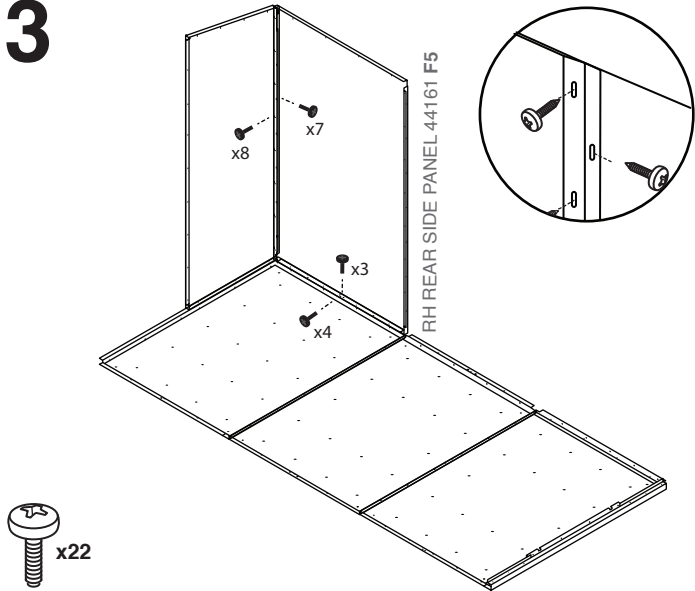
1! IF YOU HAVE AN OPTIONAL RAMP,
PLACE UNDERNEATH FRONT
BASE PANEL AT THIS STAGE



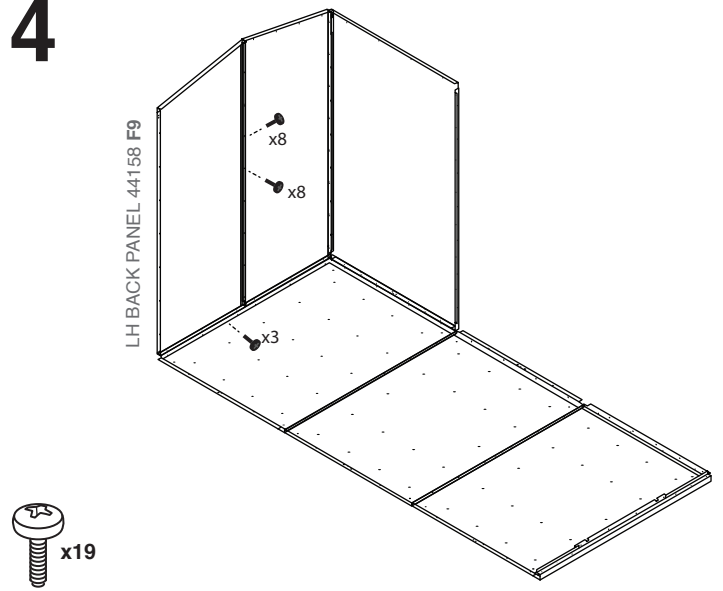
2



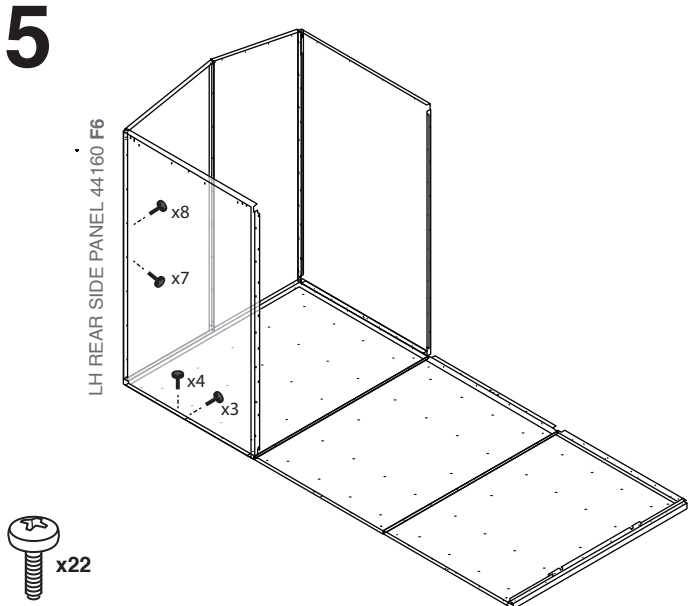
3



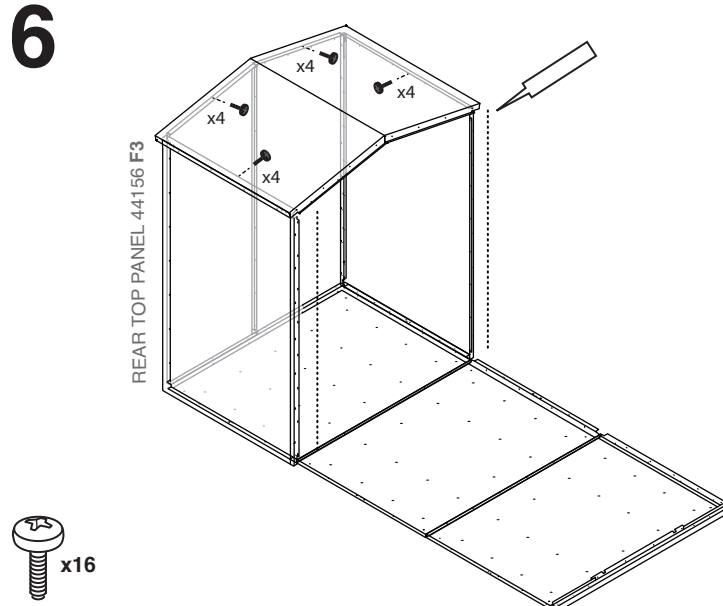
4



5

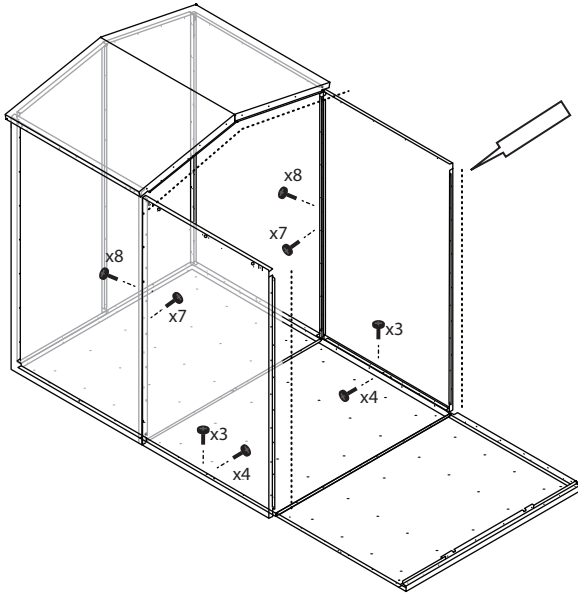


6



7

LH EXT. SIDE PANEL 44291 F16
RH EXT. SIDE PANEL 44292 F17



8

EXTENSION TOP PANEL 44293 F18



9

LH FRONT SIDE PANEL 62602 S13
RH FRONT SIDE PANEL 62601 S12



10

LH FRONT PANEL 44164 F10
RH FRONT PANEL 44376 F11



11

FASCIA PANEL 44167 F14



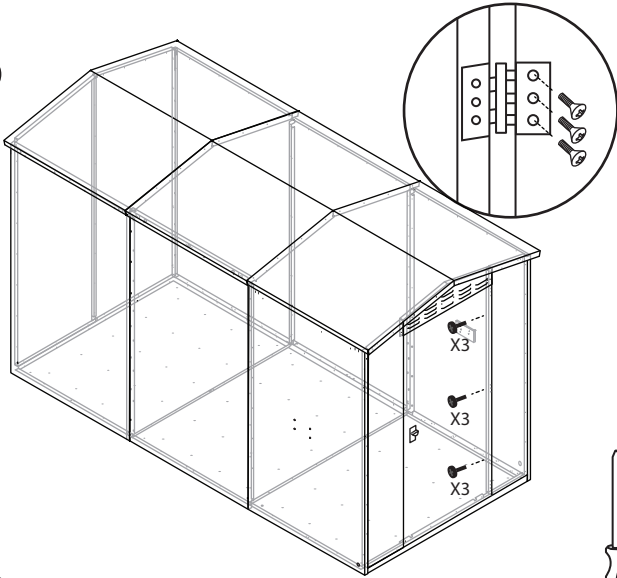
12

FRONT TOP PANEL 44157

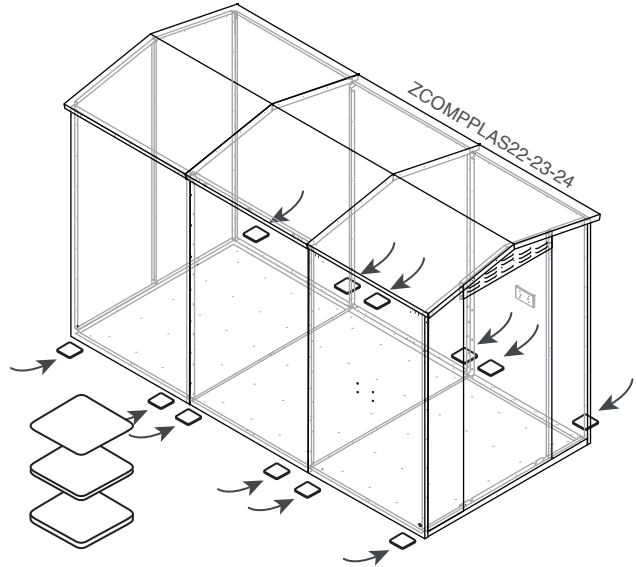


13

DOOR ASSEMBLY 44374 F13



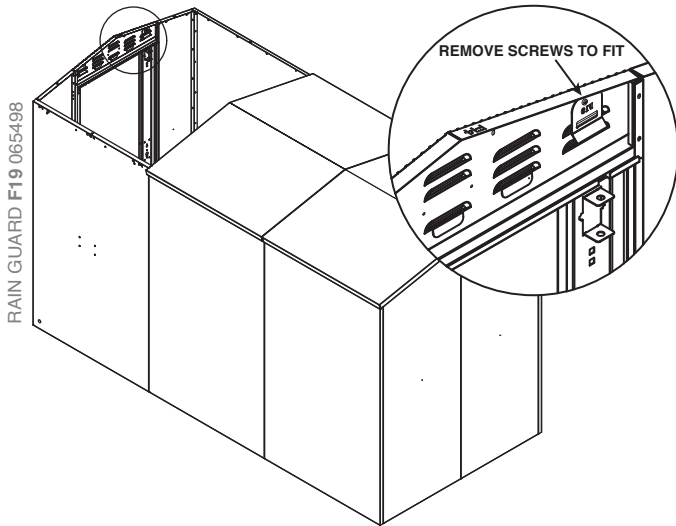
14!

 LEVEL SHED UNTIL DOORS ALIGN USING ZCOMPPLAS AS SUITABLE

15!

SLOT THE FIVE TABS ON THE RAIN GUARD THROUGH THE VENTS, BEND DOWN THE THREE INNER TABS AND FASTEN SCREWS

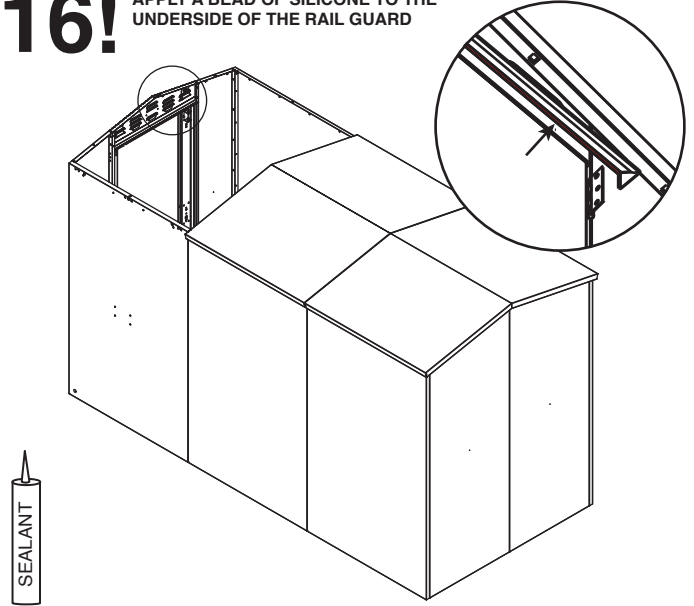
FRONT ROOF PANEL F4 44157 REMOVED FOR CLARITY



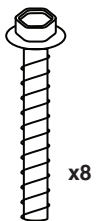
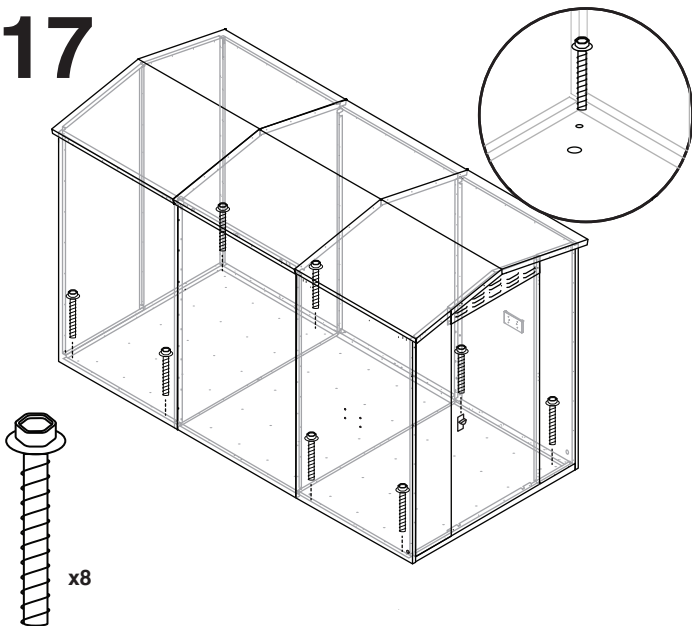
RAIN GUARD F19 065498

16!

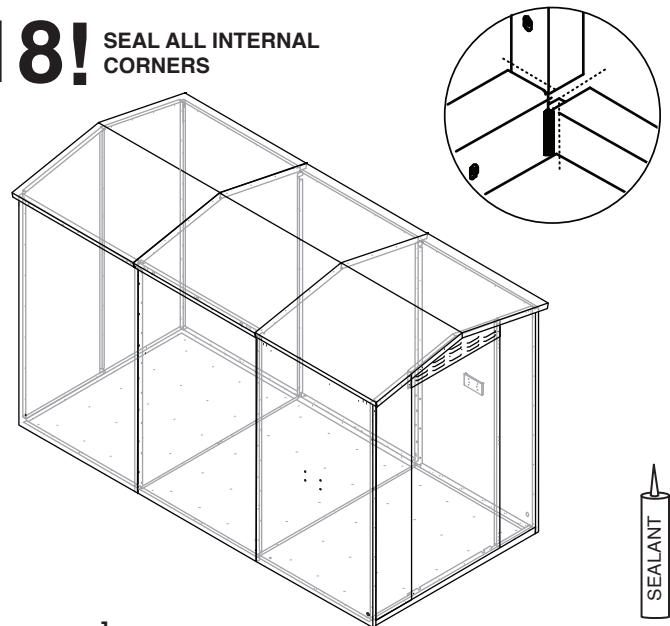
APPLY A BEAD OF SILICONE TO THE UNDERSIDE OF THE RAIL GUARD



17



18!

 SEAL ALL INTERNAL CORNERS

www.asgardsss.co.uk