

## FLEXISTORE 1511

### BASE INSTRUCTIONS

Flat and firm base. Recommended: concrete, tarmac or paving flags.  
 Min. distance from walls/ shrubbery: 1000mm.  
 Min. base size (WxDxH) 1730mm x 1557mm x 50mm.

### LEVELING THE UNIT

Correctly level the constructed unit using the shims (ZCOMPPLAS) provided prior to fixing the unit to the ground. Slide the packing pieces under the corners of the unit base as required until an equal gap has been achieved around the door allowing for its smooth operation and alignment.

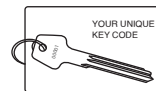
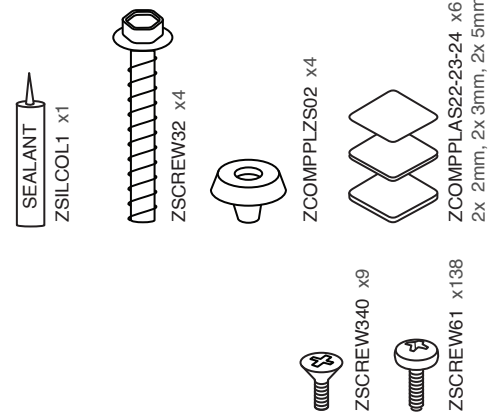
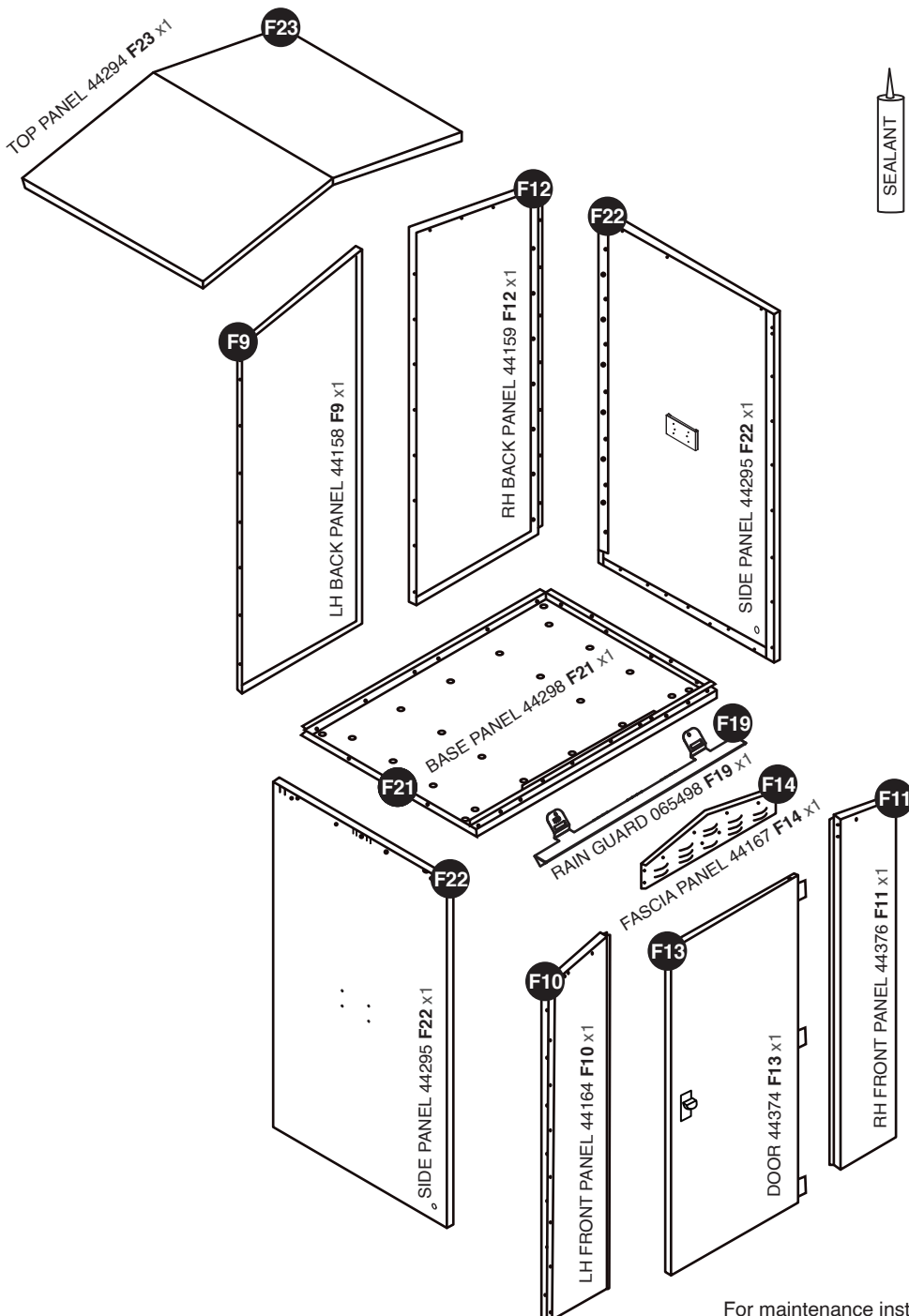
It is always recommended to anchor the unit to the ground. Drill through the four holes in the base of the unit using 6mm dia masonry drill to a depth of 70mm. Screw in the anchor fixings. (These have a self cutting thread). If not anchoring the unit, fit the self seal plugs BEFORE BUILDING to seal the fixing holes from underneath.

### TOOLS REQUIRED

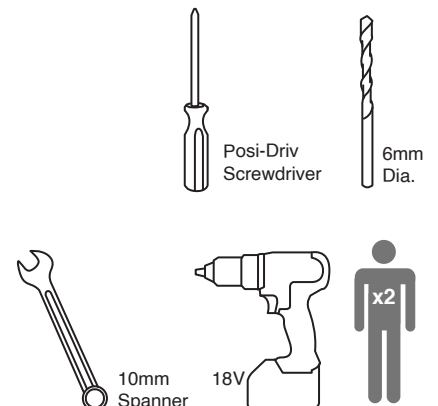
Power driver POSI-DRIV screwdriver, 6mm dia. masonry drill, a 10mm socket or spanner.



Warning: some panels may weigh over 20Kg. Beware of manual handling

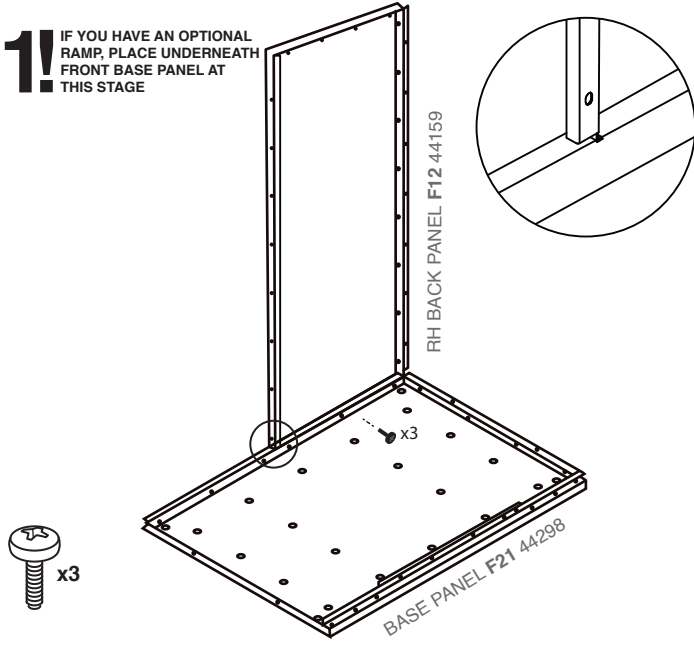


Warning: Please keep this key card safe! Refer to if replacement key is required.

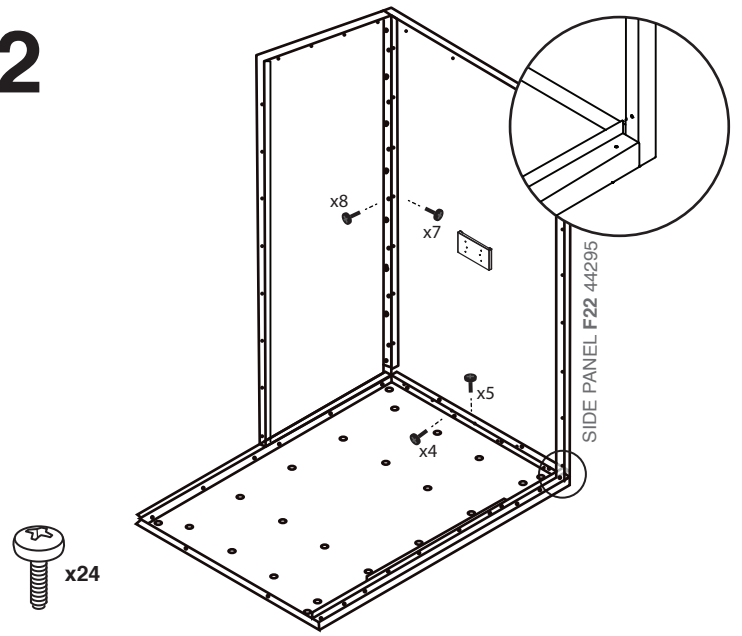


PLEASE NOTE ALL SCREWS ARE FIXED FROM THE INSIDE

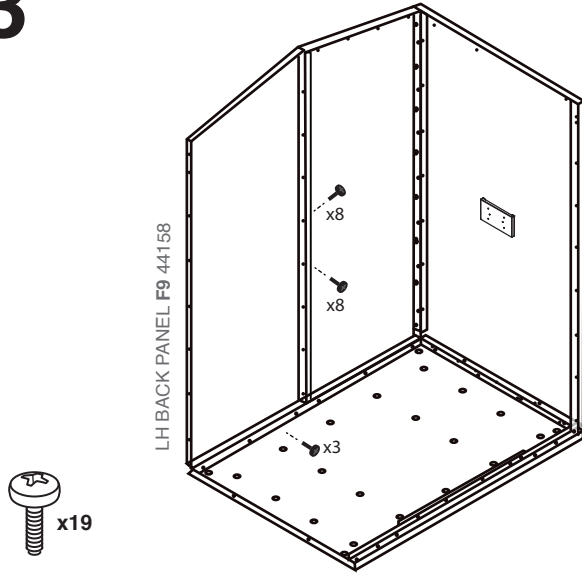
**1!** IF YOU HAVE AN OPTIONAL RAMP, PLACE UNDERNEATH FRONT BASE PANEL AT THIS STAGE



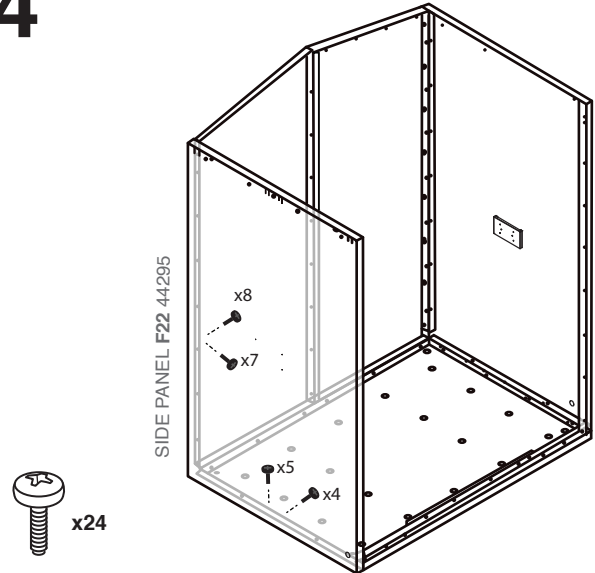
**2**



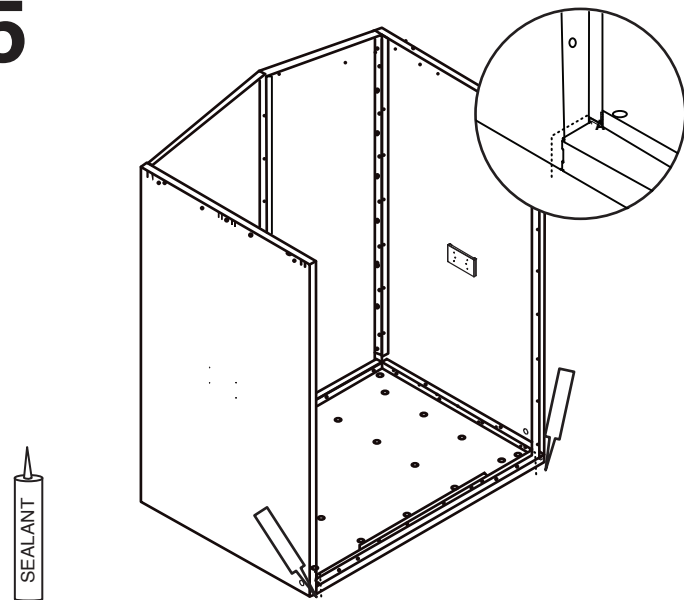
**3**



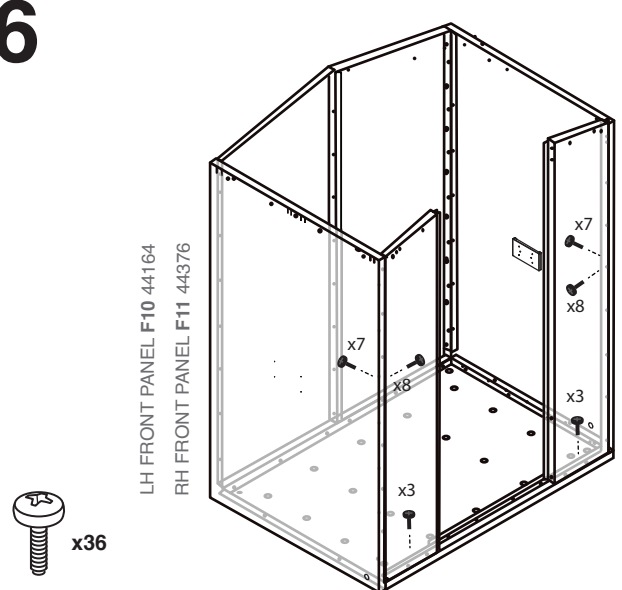
**4**



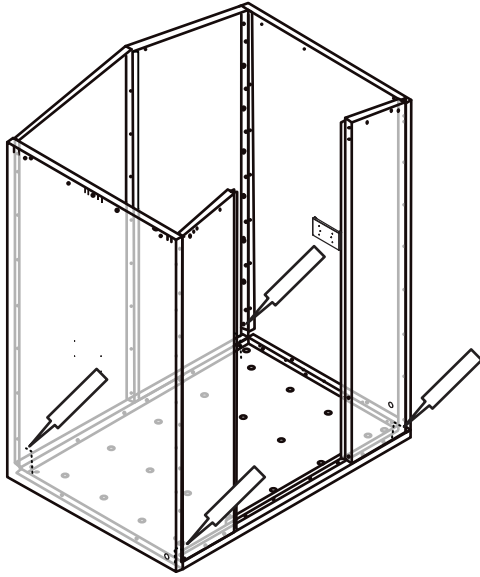
**5**



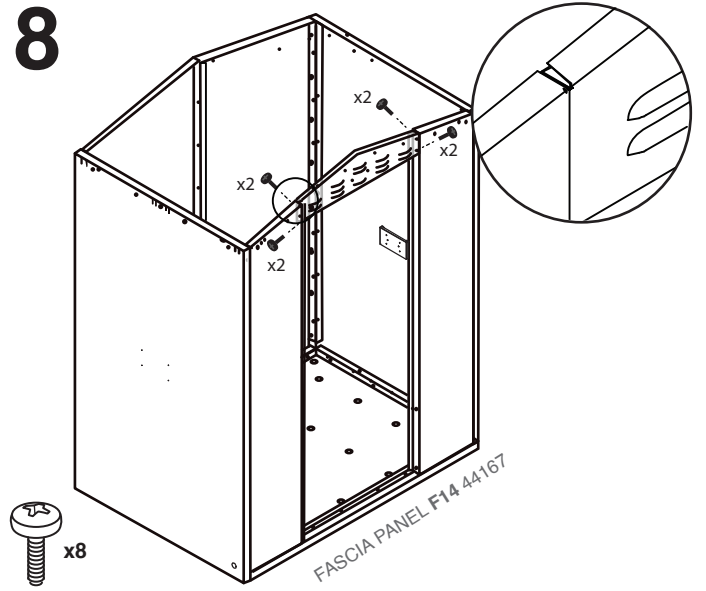
**6**



7

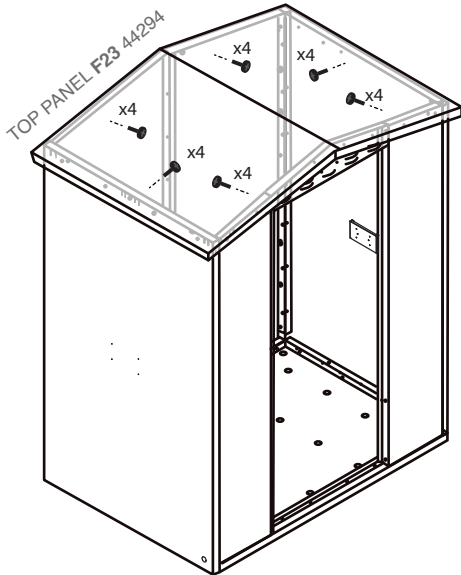


8



FASCIA PANEL F14 44167

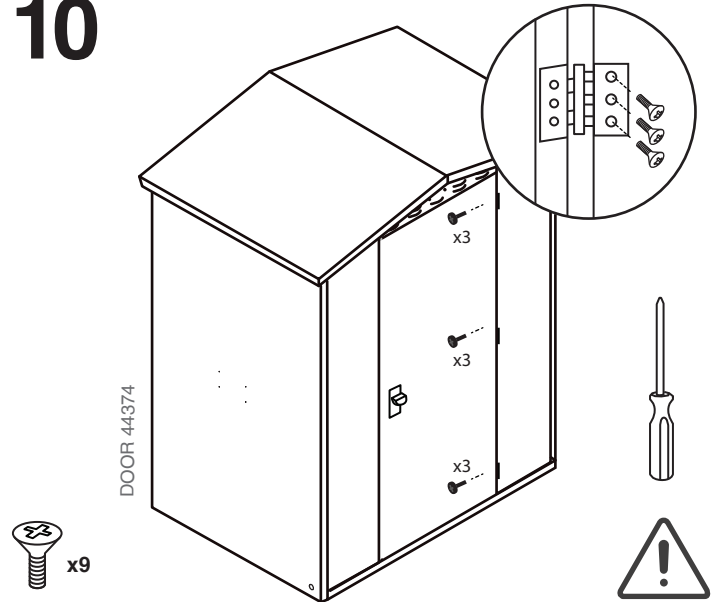
9



TOP PANEL F23 44294



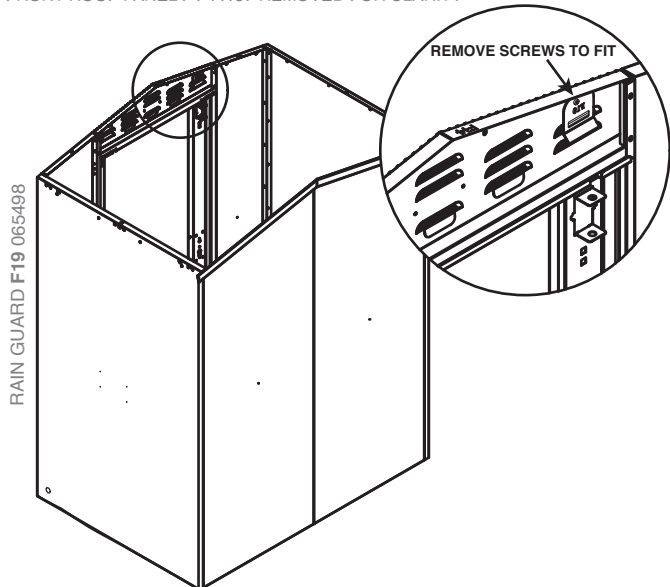
10



DOOR 44374

**11!** SLOT THE FIVE TABS ON THE RAIN GUARD THROUGH THE VENTS, BEND DOWN THE THREE INNER TABS AND FASTEN SCREWS

FRONT ROOF PANEL F4 44157 REMOVED FOR CLARITY

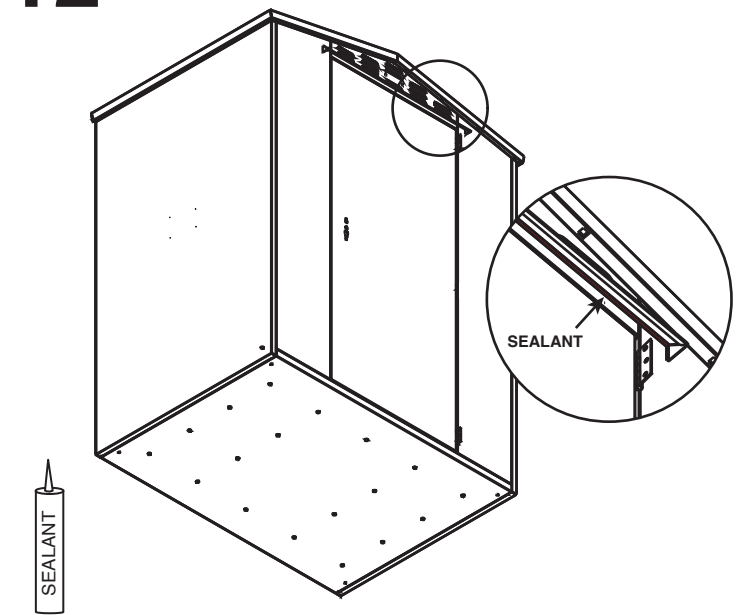


RAIN GUARD F19 065498

REMOVE SCREWS TO FIT

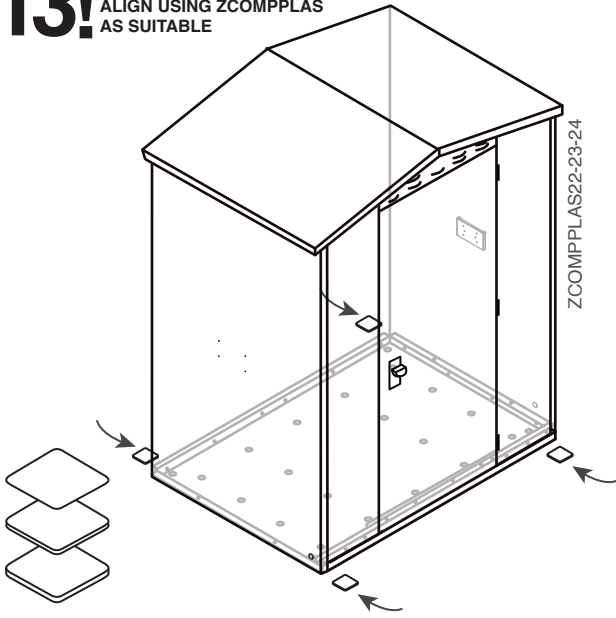
12

APPLY A BEAD OF SILICONE TO THE UNDERSIDE OF THE RAIL GUARD

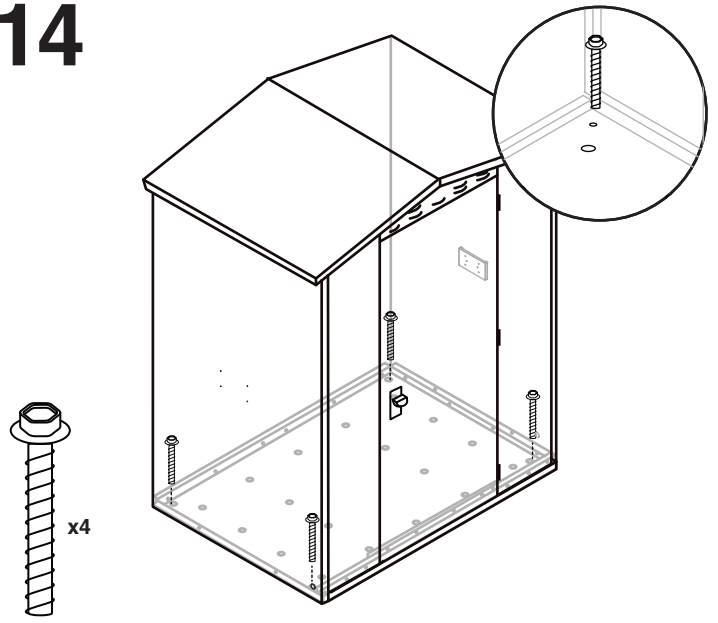


SEALANT

**13!** LEVEL SHED UNTIL DOORS  
ALIGN USING ZCOMPPLAS  
AS SUITABLE



**14**



**15!** SEAL ALL INTERNAL  
CORNERS

