

# ASGARD FREESTANDING ADJUSTABLE TWO BIKE RACK

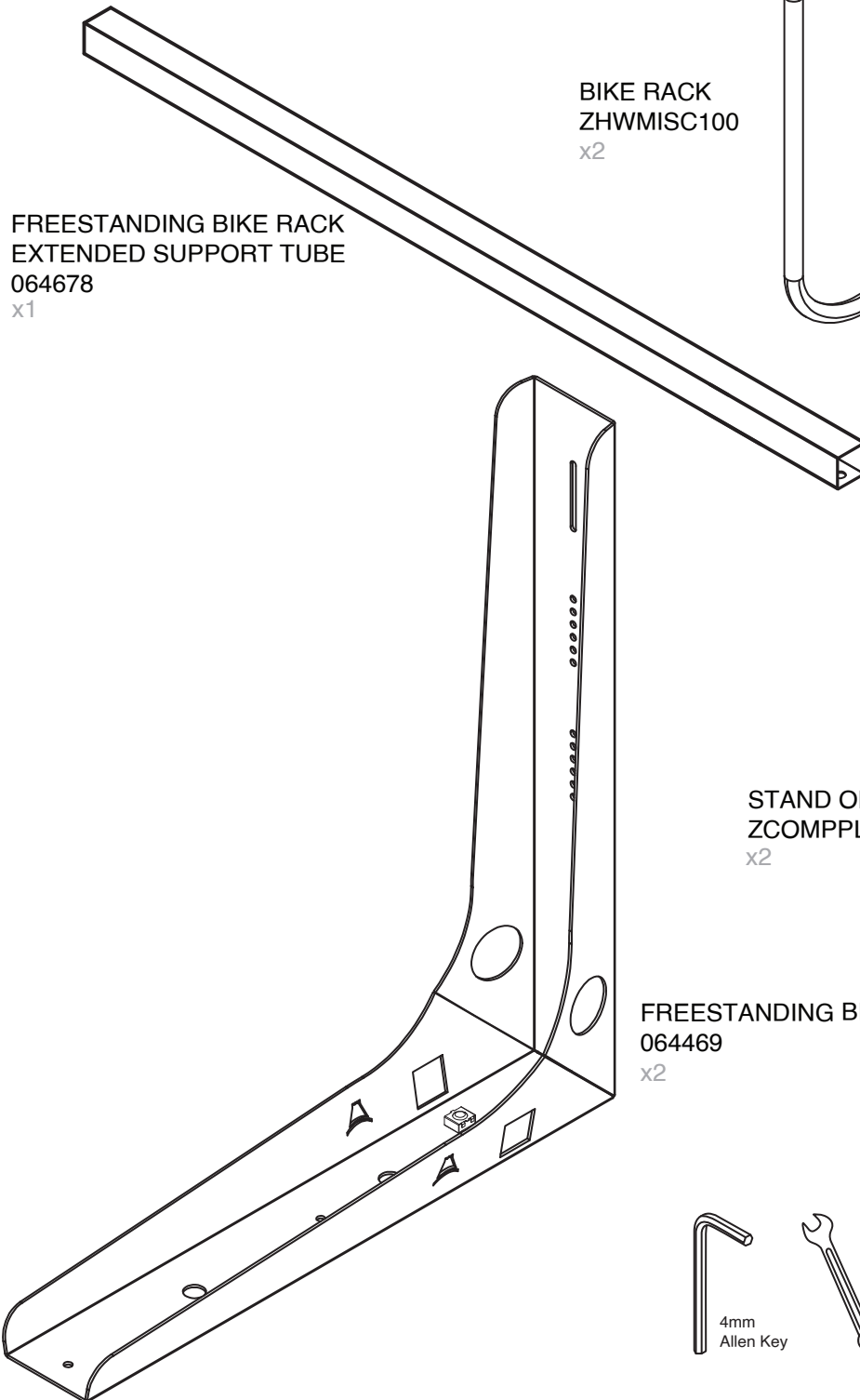


## COMPATIBILITY

This bike stand is designed to accommodate standard bicycle wheels ranging in size from 26 inches to 29 inches.

## TOOLS REQUIRED

Screwdriver, Posi-Drive Screwdriver, 8mm Spanner, 4mm Allen Key



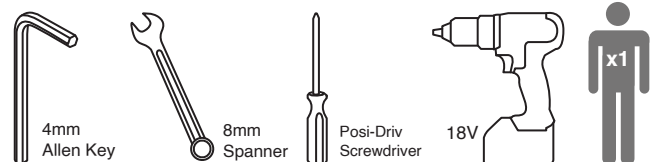
BIKE RACK  
ZHWMISC100  
x2

FREESTANDING BIKE RACK  
EXTENDED SUPPORT TUBE  
064678  
x1

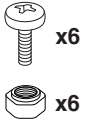
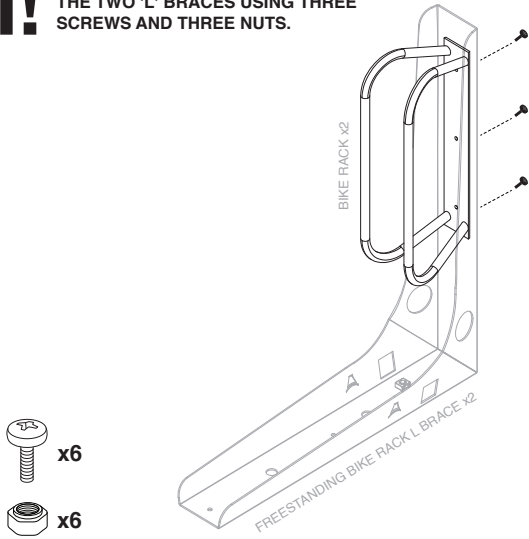
FREESTANDING BIKE RACK L BRACE  
064469  
x2

STAND OFF FOOT  
ZCOMPPLAS181  
x2

- ZSCREW222 x9
- ZSCREW45 x4
- ZSCREW04 x6
- ZHWNUT41 x6

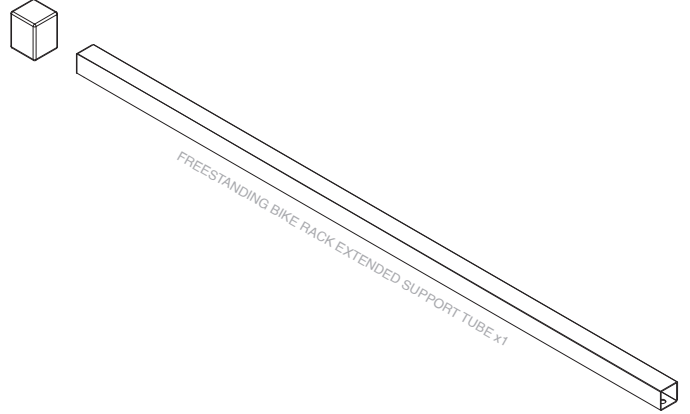


**1!** SECURE THE TWO BIKE RACKS TO THE TWO 'L' BRACES USING THREE SCREWS AND THREE NUTS.

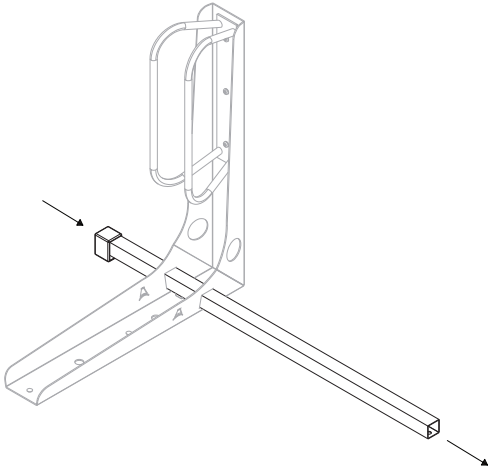


**2!** PUSH ONE FOOT ONTO THE EXTENDED SUPPORT TUBE (064470) BY HAND.

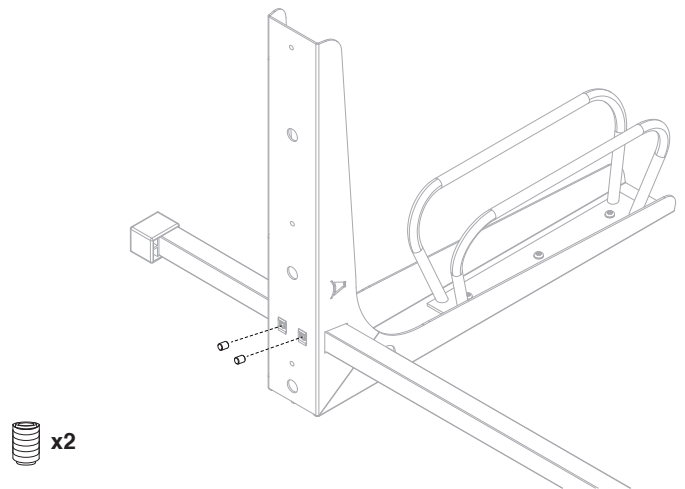
STAND OFF FOOT x1



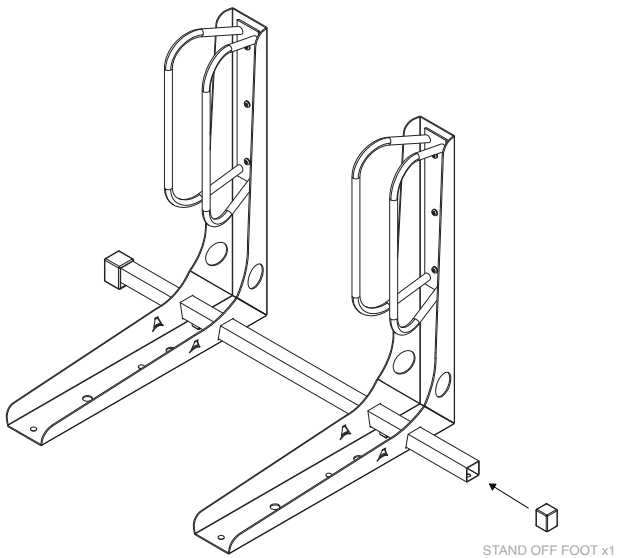
**3!** SLIDE ONE SUPPORT TUBE THROUGH THE 'L' BRACE.



**4!** TURN THE ASSEMBLED STAND UPSIDE DOWN AND ALIGN THE HOLES ON THE SUPPORT TUBE AND 'L' BRACE. SECURE WITH TWO ZSCREWS45.



**5!** REPEAT STEPS THREE AND FOUR FOR THE SECOND 'L' BRACE. PUSH THE SECOND FOOT ONTO THE SUPPORT TUBE.



**6!** OPTIONAL: FASTEN TO FLOOR USING NINE ZSCREWS222.

