

CYCLE LOCKER

BASE INSTRUCTIONS

Flat and firm base. Recommended: concrete, tarmac or paving flags.
 Min. distance from walls/ shrubbery: 1000mm.
 Min. base size (WxDxH) 1100mm x 2250mm x 50mm.

LEVELING THE UNIT

Correctly level the constructed unit using the shims (ZCOMPPLAS) provided prior to fixing the unit to the ground. Slide the packing pieces under the corners of the unit base as required until an equal gap has been achieved around the door allowing for its smooth operation and alignment.

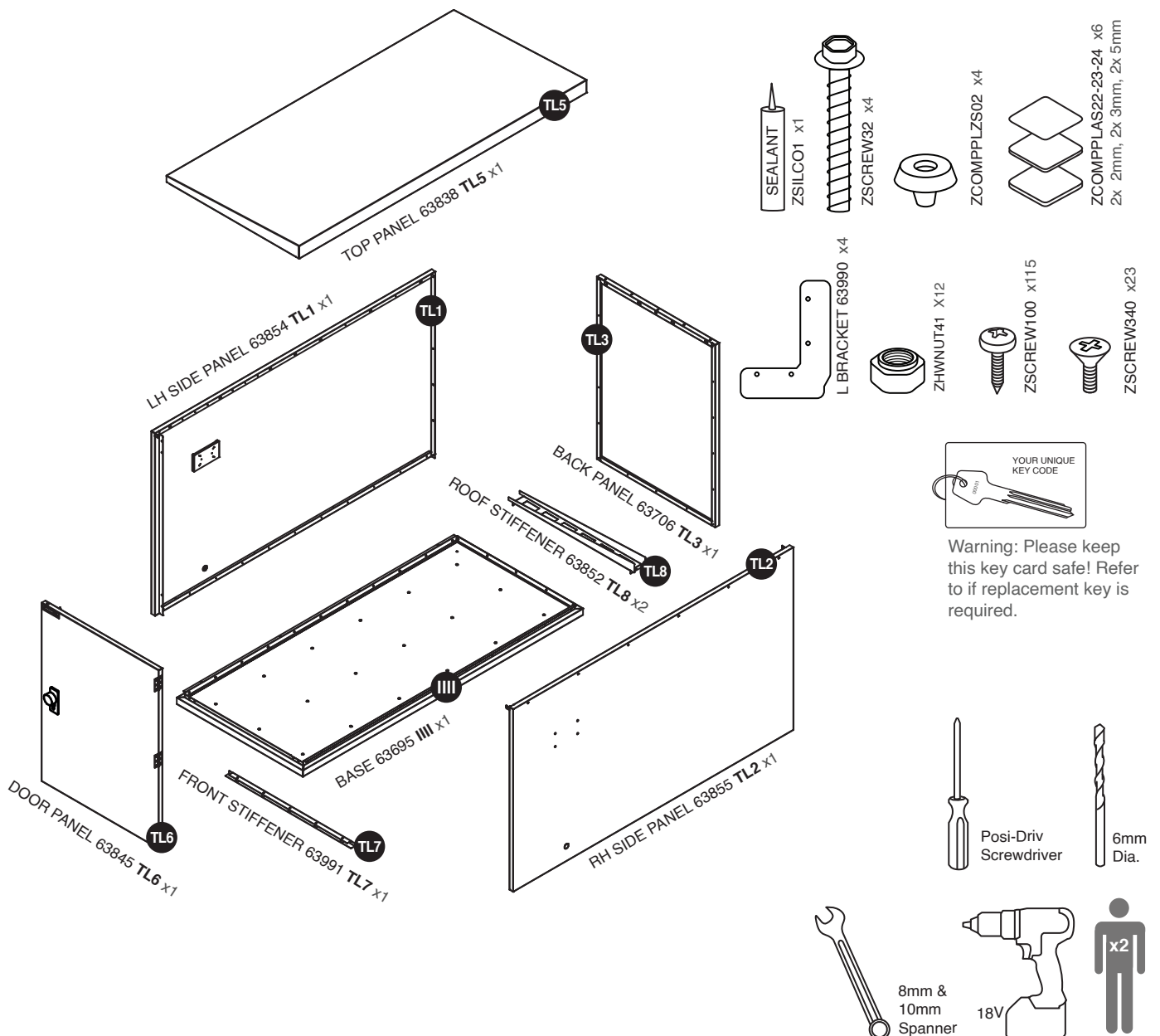
It is always recommended to anchor the unit to the ground. Drill through the four holes in the base rails of the unit using 6mm dia masonry drill to a depth of 70mm. Screw in the anchor fixings. (These have a self cutting thread). **If not anchoring the unit, fit the 4 self-seal plugs BEFORE BUILDING to block the fixing holes underneath to stop water from entering the unit.**

TOOLS REQUIRED

Power driver POSI-DRIV screwdriver, 6mm dia. masonry drill and a 8mm and 10mm socket or spanner.

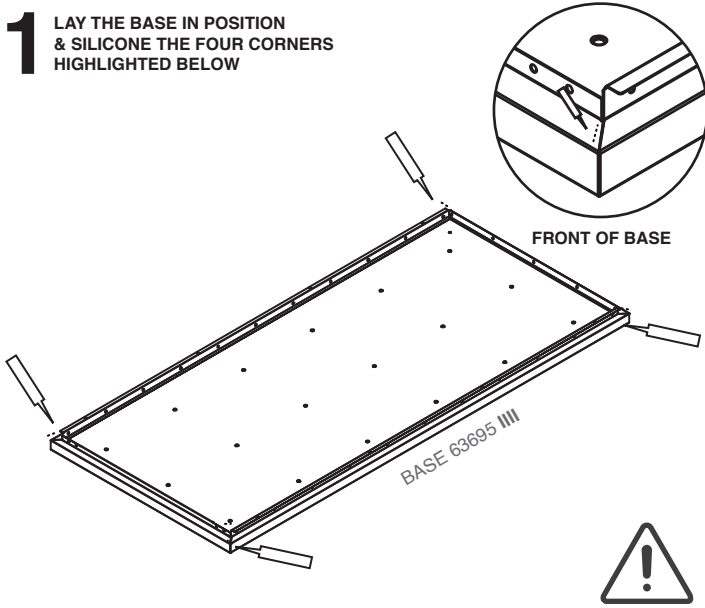


Warning: some panels may weigh over 20Kg. Beware of manual handling

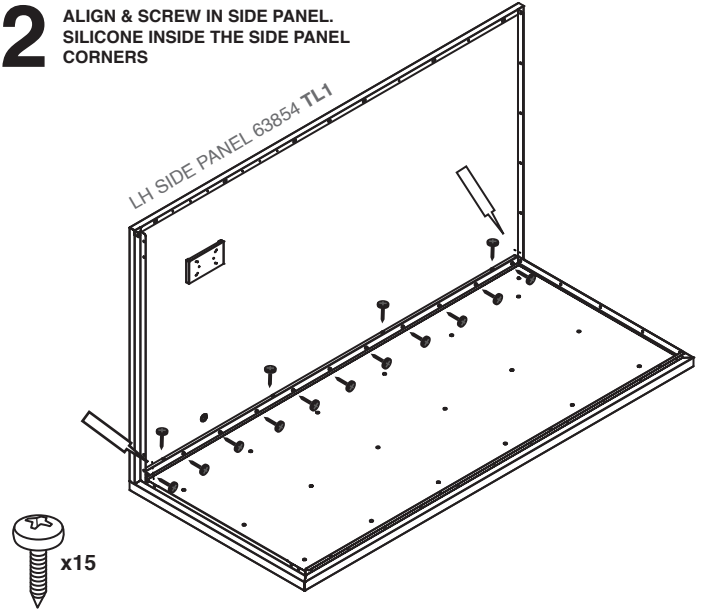


PLEASE NOTE ALL SCREWS ARE FIXED FROM THE INSIDE

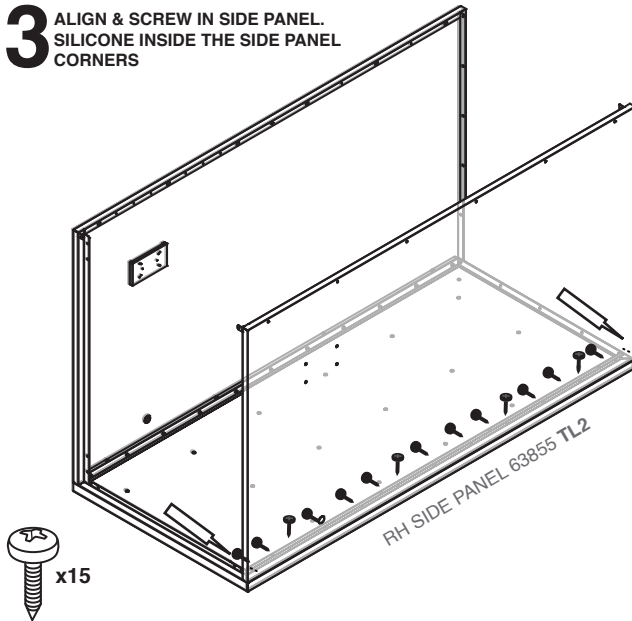
1 LAY THE BASE IN POSITION & SILICONE THE FOUR CORNERS HIGHLIGHTED BELOW



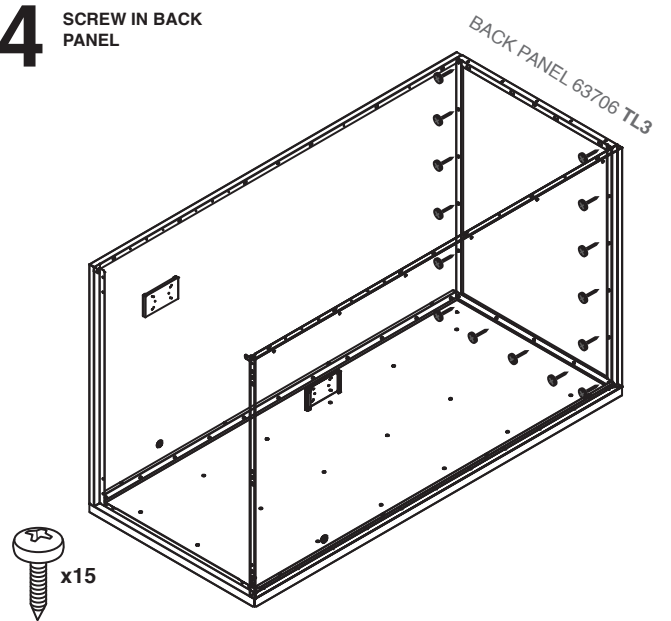
2 ALIGN & SCREW IN SIDE PANEL. SILICONE INSIDE THE SIDE PANEL CORNERS



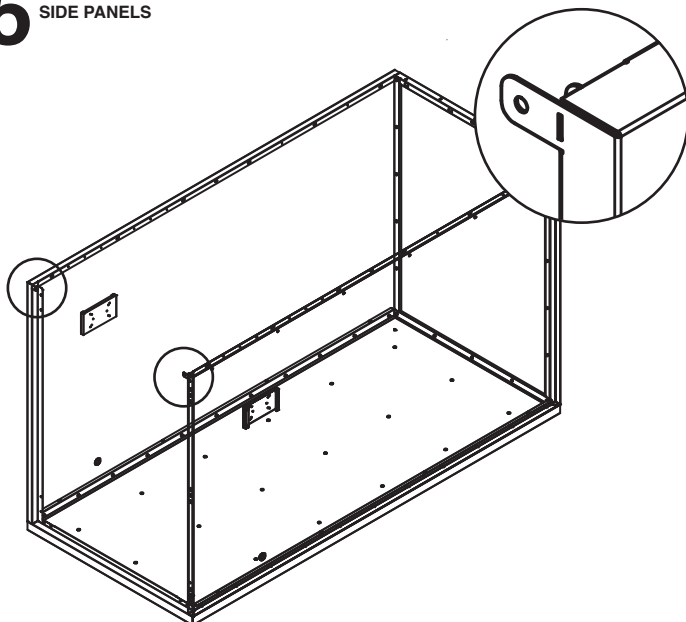
3 ALIGN & SCREW IN SIDE PANEL. SILICONE INSIDE THE SIDE PANEL CORNERS



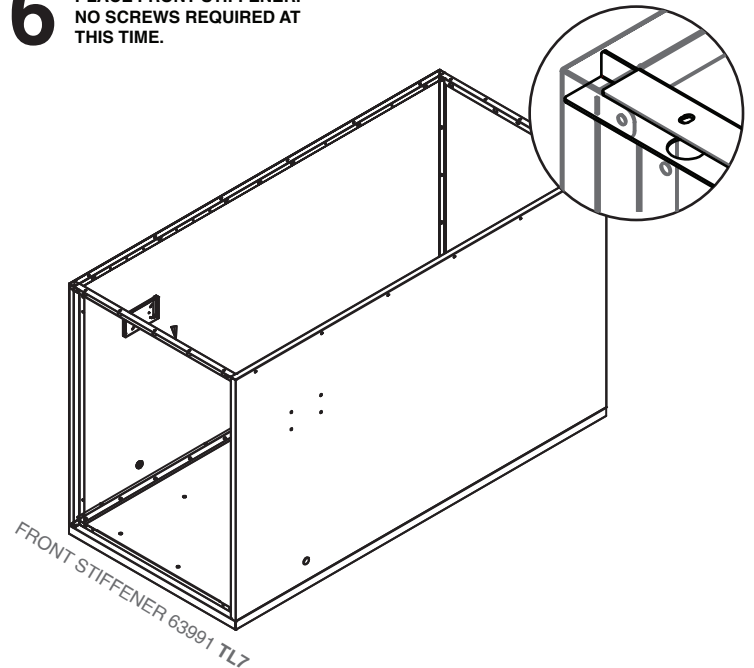
4 SCREW IN BACK PANEL



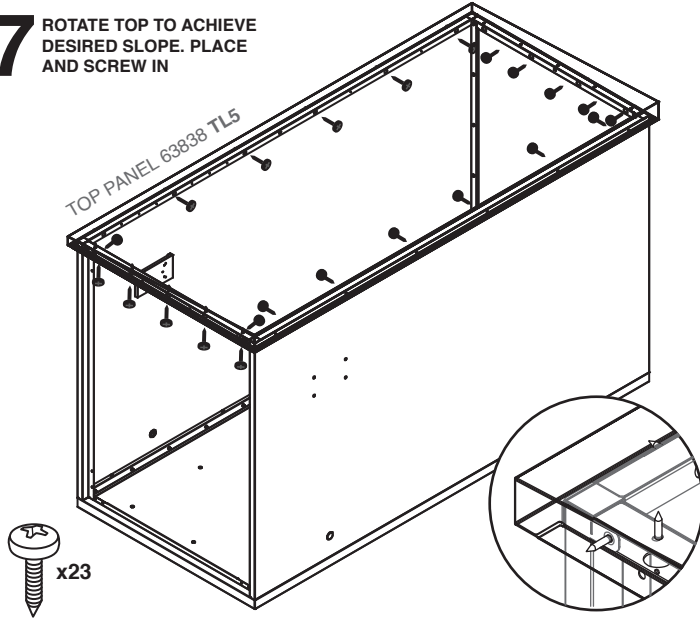
5 UNFOLD TABS ON BOTH SIDE PANELS



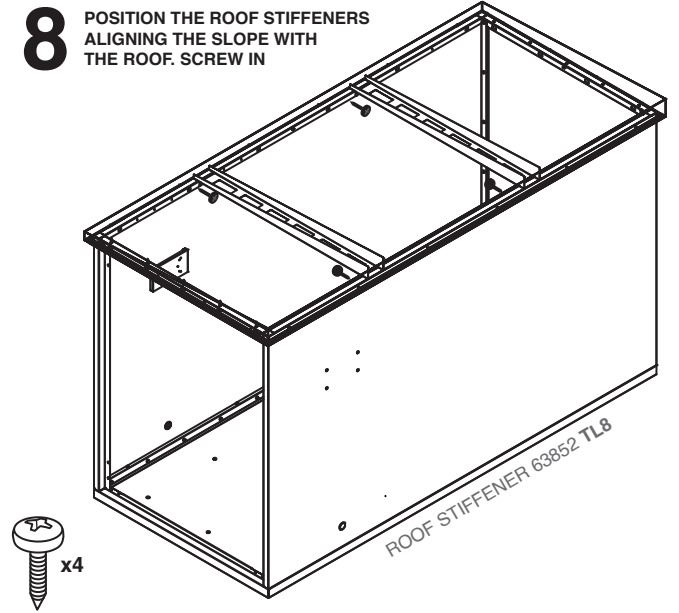
6 PLACE FRONT STIFFENER. NO SCREWS REQUIRED AT THIS TIME.



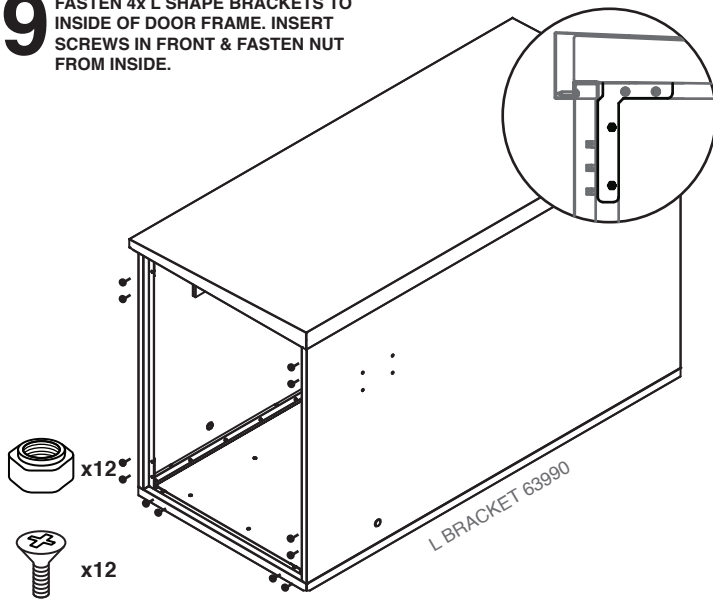
7 ROTATE TOP TO ACHIEVE DESIRED SLOPE. PLACE AND SCREW IN



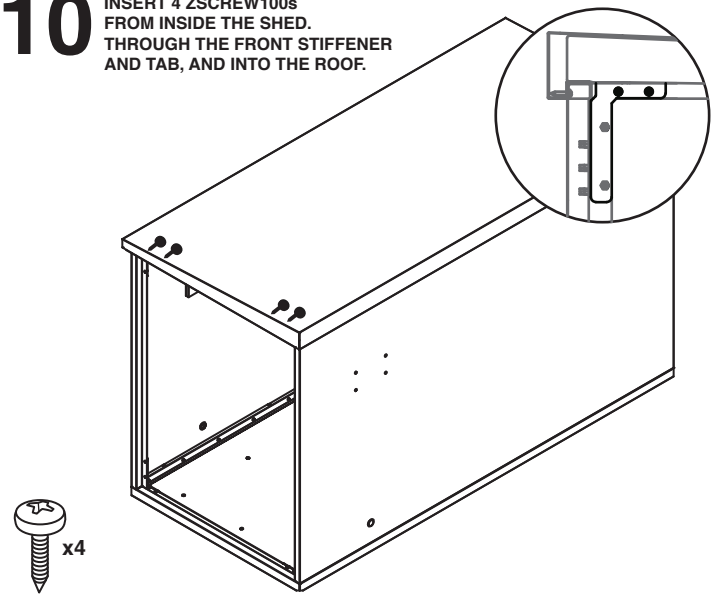
8 POSITION THE ROOF STIFFENERS ALIGNING THE SLOPE WITH THE ROOF. SCREW IN



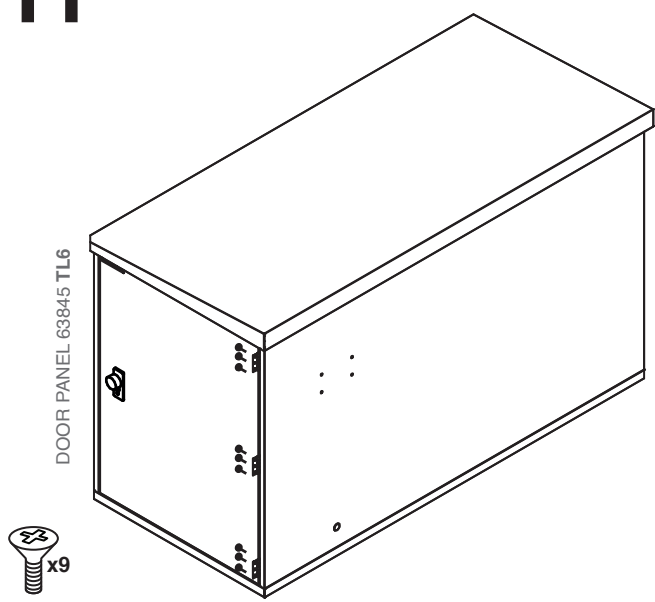
9 FASTEN 4x L SHAPE BRACKETS TO INSIDE OF DOOR FRAME. INSERT SCREWS IN FRONT & FASTEN NUT FROM INSIDE.



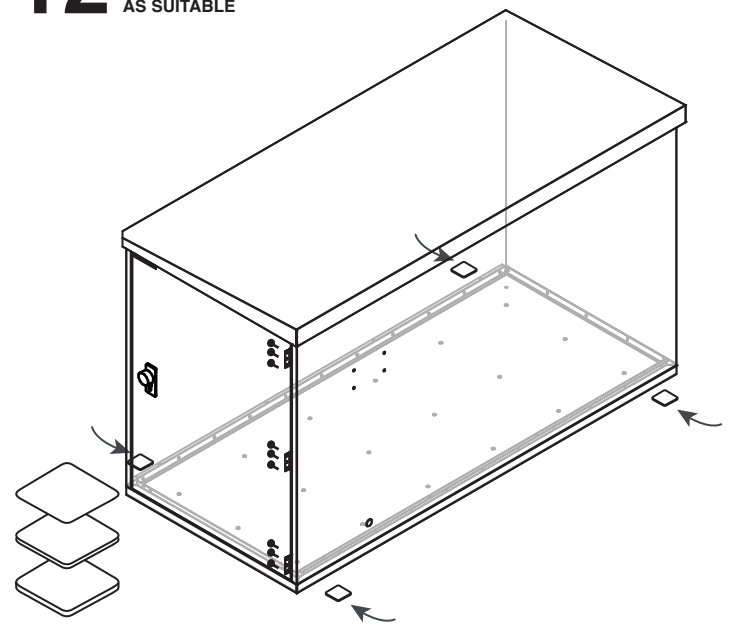
10 INSERT 4 ZSCREW100s FROM INSIDE THE SHED. THROUGH THE FRONT STIFFENER AND TAB, AND INTO THE ROOF.



11 SECURE THE DOOR



12 LEVEL SHED UNTIL DOORS ALIGN USING ZCOMPPLAS AS SUITABLE



13 BOLT DOWN THE LOCKER

