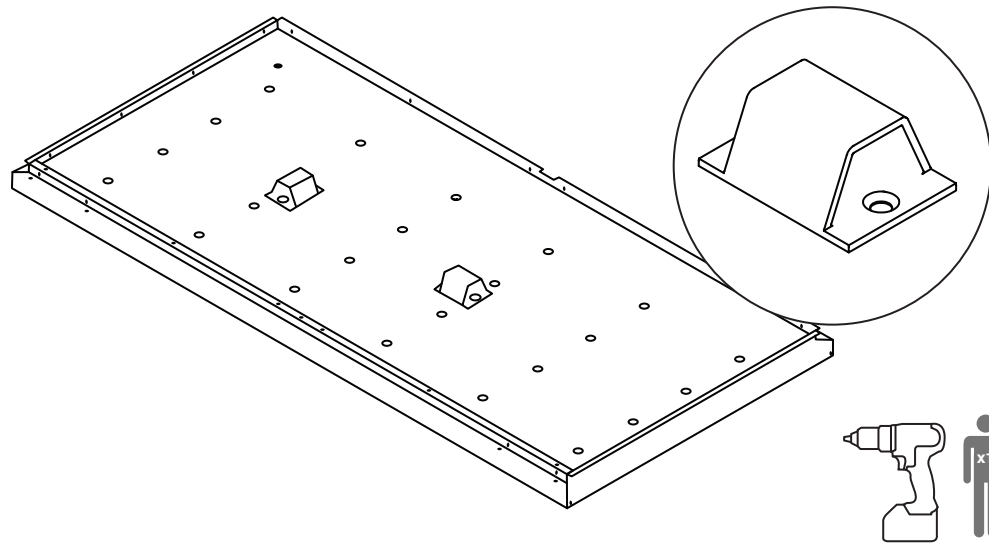


GROUND ANCHORS (example: as installed on a Access shed).

Place bracket on base where required and mark holes with marker pan. Follow fitting instructions for drilling that comes with the HD Chain bracket. All holes that have been drilled **MUST** be repainted with a suitable exterior quality paint to prevent rusting of the panel base. Paint pot samples are available on our website. Instructions are available on our website: <http://goo.gl/Hi5YP6>



ACCESSORIES



ACCESSORIES

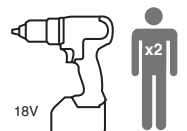
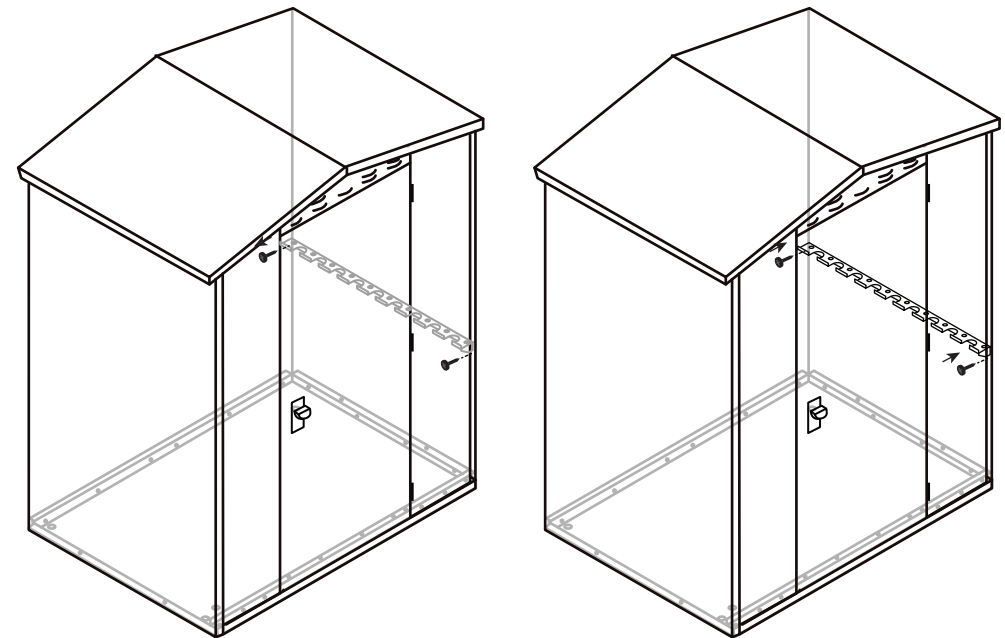
NOTE* Not all accessories are compatible with every Asgard unit. Please check on www.asgardsss.co.uk for compatibility. Accessories in this instruction pack included are hooks, eyelets, tool rails, wooden subfloors, ramps and ground anchors. For shelves and bike racks please refer to individual instructions.

PLEASE NOTE RAMPS NEED FITTING BEFORE THE SHEDS ARE COMPLETED.

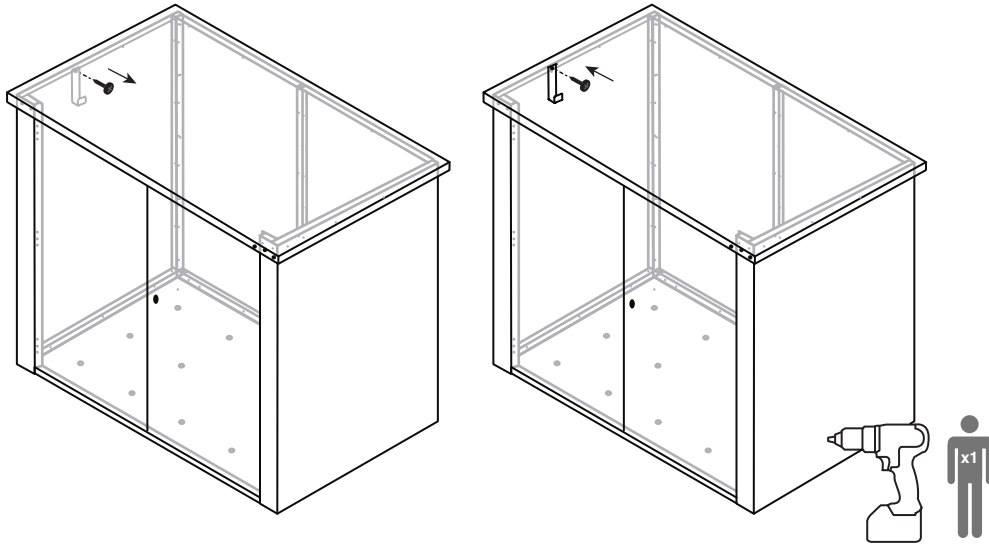
TOOLS REQUIRED: Power driver POSI-DRIV screwdriver.

TOOL RAIL (example: as installed on a Flexistore 1511 shed).

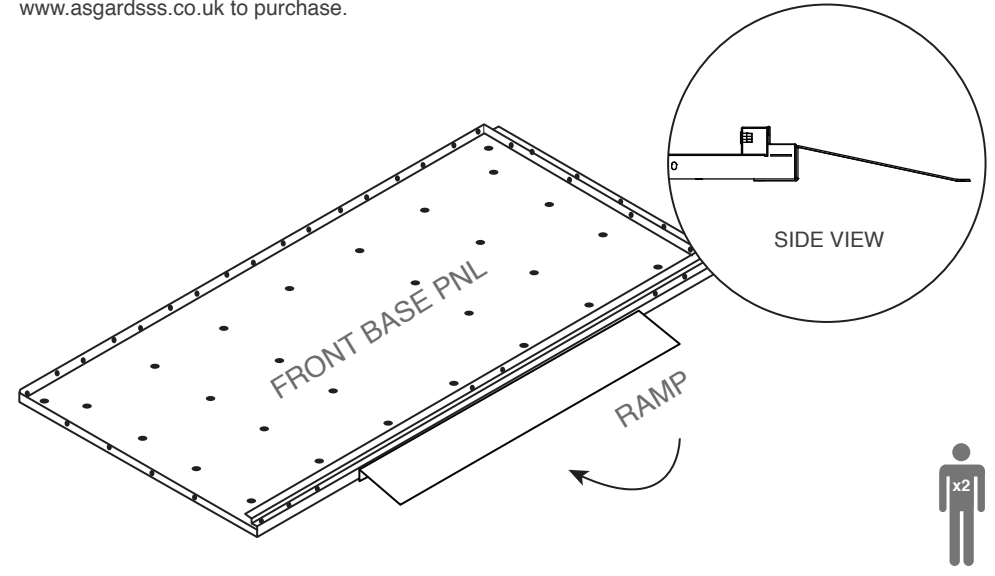
Align the tool rail in position and remove screws.
Reuse the screws to secure the tool rail on to the shed



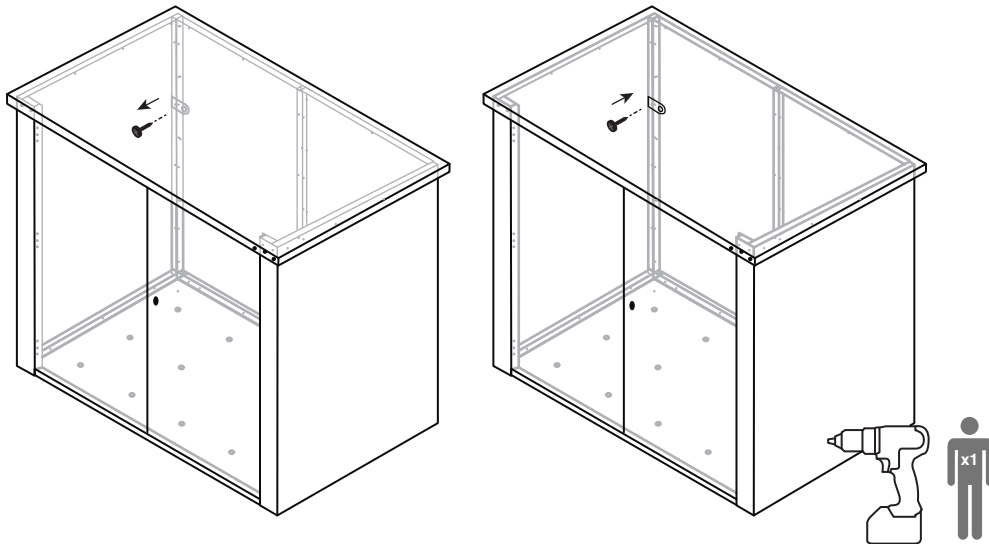
HOOKS (example: as installed on a Vanguard shed).
 Select desired location for hook and align with nearest screw.
 Remove screw, and re-use to secure the eyelet to the shed.



RAMPS (example: as installed on a Motorbike shed).
 Ramps are available for larger units and slide under the base panel, the weight of the unit keeps the ramp in place. Self adhesive grip tape is available for the ramps, please visit www.asgardsss.co.uk to purchase.



EYELETS (example: as installed on a Vanguard shed).
 Select desired location for eyelet and align with nearest screw.
 Remove screw, and re-use to secure the eyelet to the shed.



WOODEN SUBFLOOR (example: as installed on a Gladiator shed).
 All wooden subfloors are made to fit your chosen shed perfectly.
 Slot the subfloor on top of the each panel. These do not fix down.

