

YALE GROUND ANCHOR BRACKET

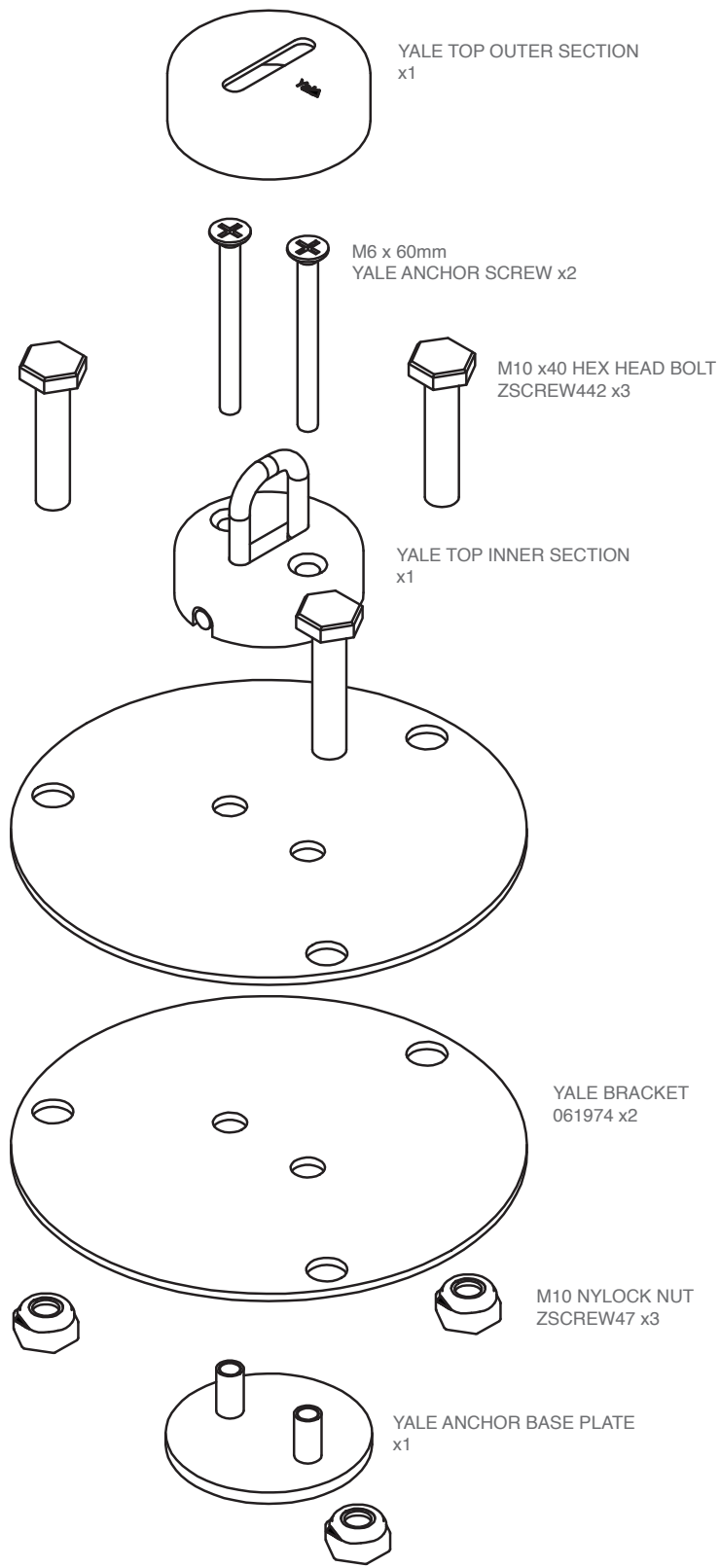


COMPATIBILITY

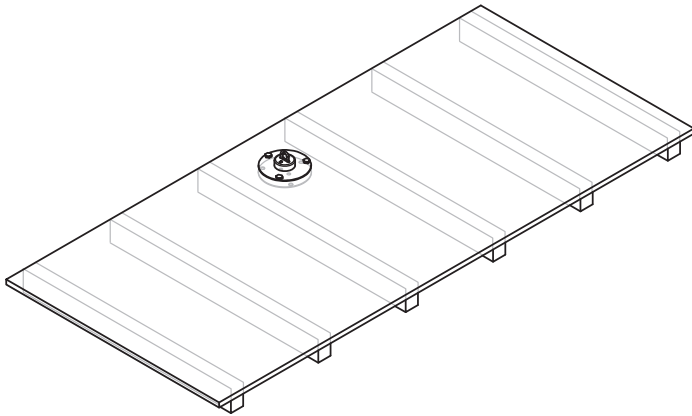
All sheds excluding Vertical Bike Locker and Flexistore range only if fitting it to a wooden subfloor

TOOLS REQUIRED

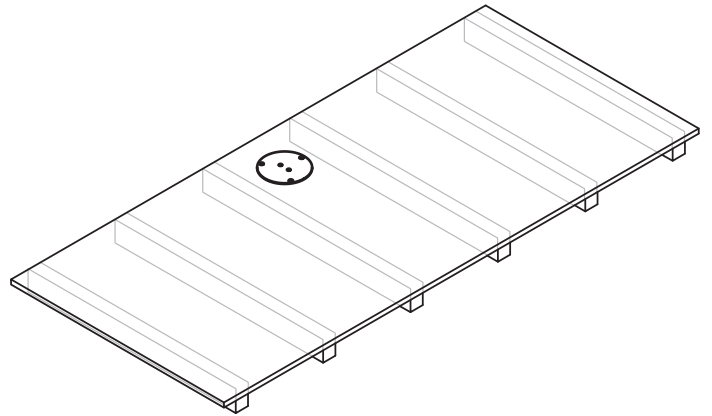
M10 Ratchet, M17 Spanner, Phipps Screwdriver, Marker Pen, 10mm Drill



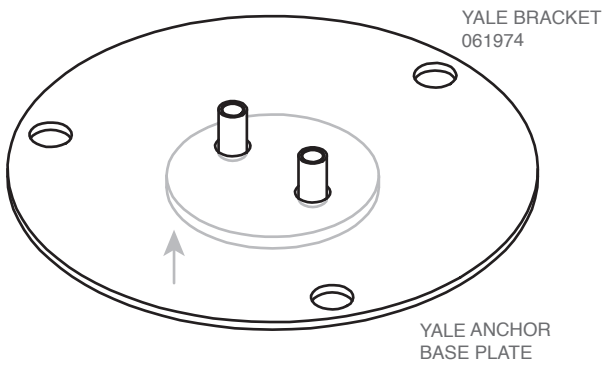
1! INSTALL PRIOR TO FITTING WOODEN SUBFLOOR,
IF SUBFLOOR ALREADY INSTALLED, PLEASE
REMOVE THE SUBFLOOR OUT OF THE SHED



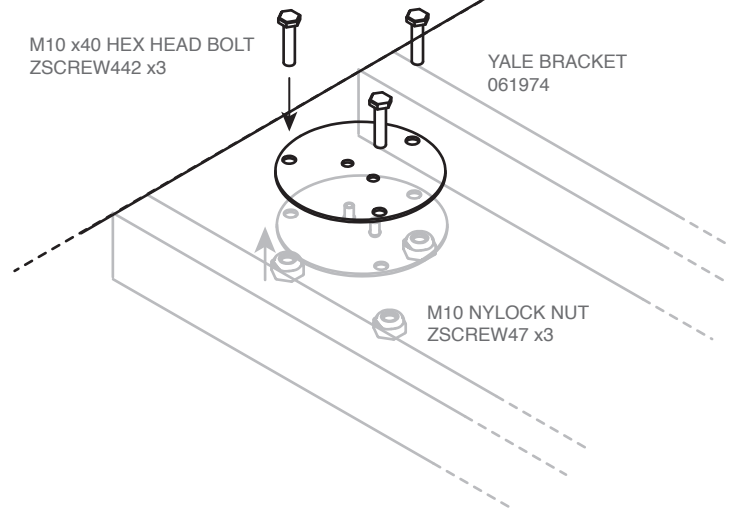
2! USE YALE BRACKET DISC AS TEMPLATE
TO DRILL 5x M10 HOLES



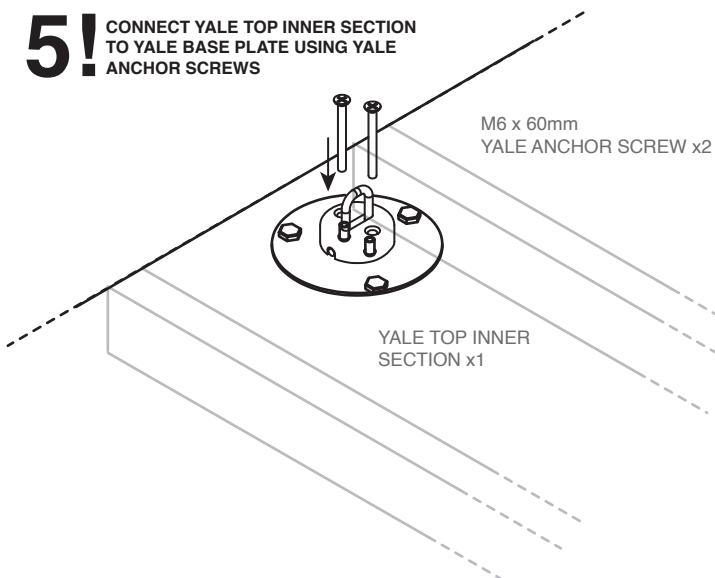
3! PLACE YALE ANCHOR PLATE UNDER
YALE BRACKET, SLOTTING TOGETHER
THE 2 CENTRE HOLES



4! PLACE STEP 3 CONFIGURATION UNDER
SUBFLOOR. ADD NEXT YALE BRACKET ON
TOP OF SUBFLOOR & CONNECT TOGETHER



5! CONNECT YALE TOP INNER SECTION
TO YALE BASE PLATE USING YALE
ANCHOR SCREWS



6! FINISH WITH YALE TOP OUTER
SECTION

