

YALE CAMERA MOUNT PLATE

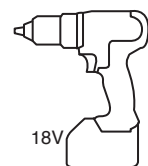
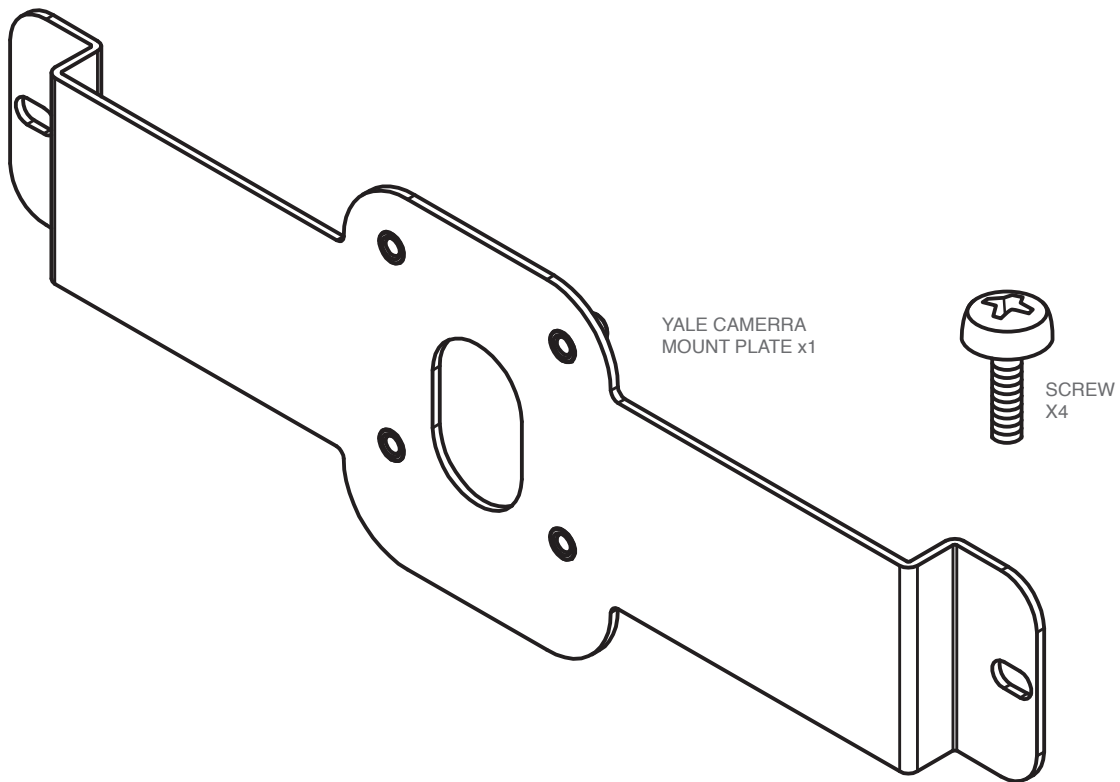


COMPATIBILITY

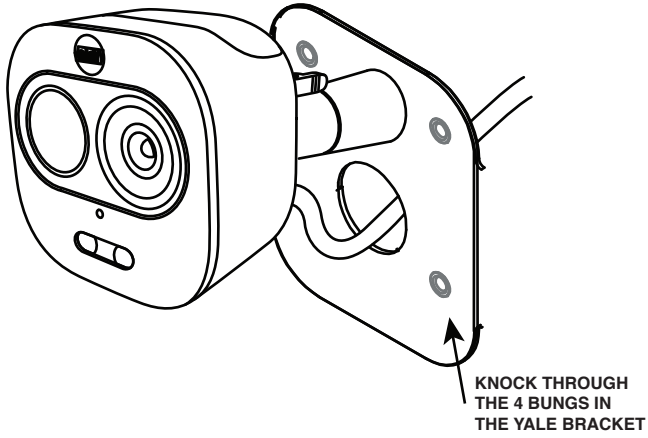
Centurion and Gladiator Bike and Motorcycle Sheds

TOOLS REQUIRED

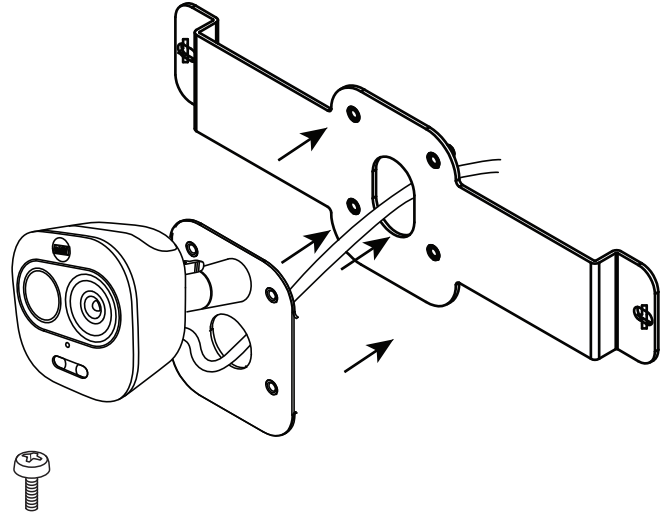
Stanley knife, Philips Screwdriver PZ2



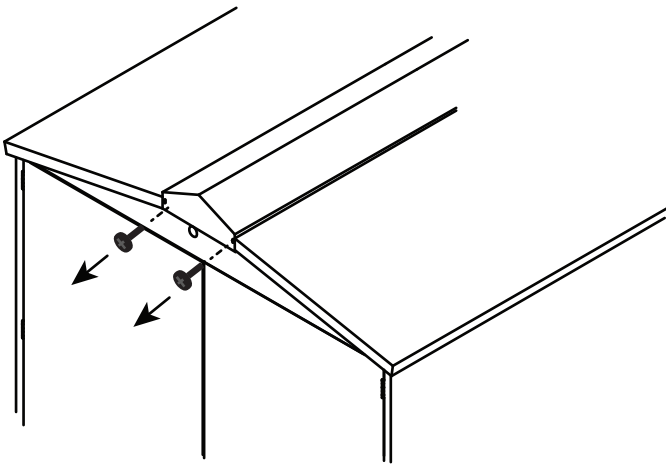
1! ASSEMBLE THE CAMERA & THREAD THE ELECTRICS THROUGH THE HOLE.



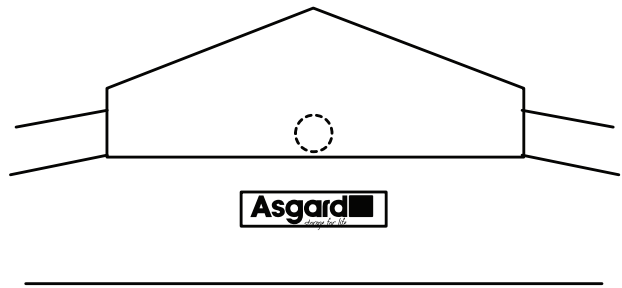
2! THREAD THE WIRE THROUGH THE ASGARD BRACKET AND FIX TOGETHER



3! REMOVE THE TWO FASCIA SCREWS

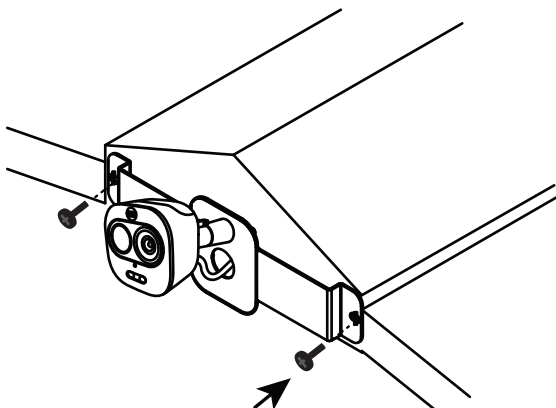


4! TWIST TO POP OUT THE PRE-CUT HOLE ABOVE THE BADGE



FOR OLDER SHEDS YOU WILL NEED TO DRILL A 25MM HOLE ABOVE THE ASGARD BADGE AS FAR UP AS POSSIBLE & SEAL WITH ANTI-RUST

5! THREAD THE WIRE THROUGH THE FASCIA HOLE & SCREW IN THE BRACKET



6! CUT THE BUNG & THREAD THROUGH OVER THE USB. PUSH IT INTO THE HOLE TO SEAL

