

TROJAN SHELF

COMPATIBILITY

Suitable for a Trojan unit or Trojan Plus unit.

WEIGHT ALLOWANCE

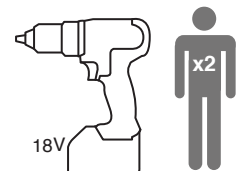
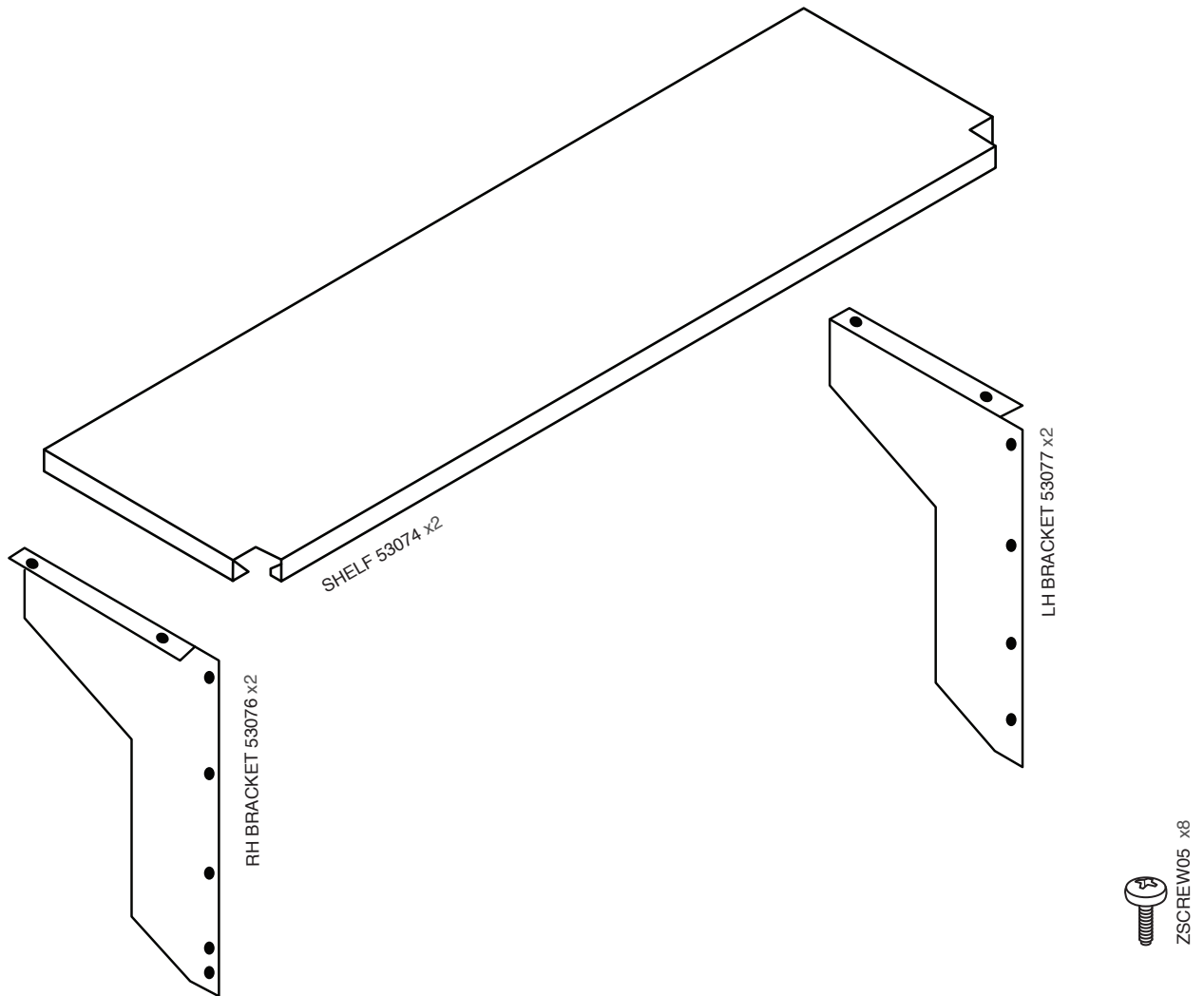
Maximum weight of 50Kg evenly distributed

CAPACITY

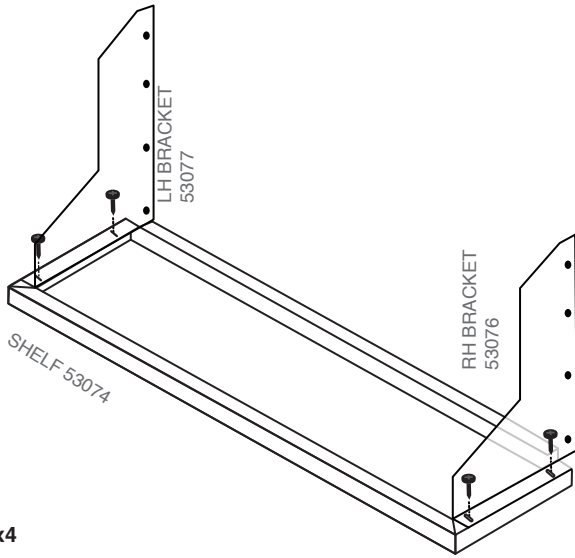
4 shelves can be fitted in each side

TOOLS REQUIRED

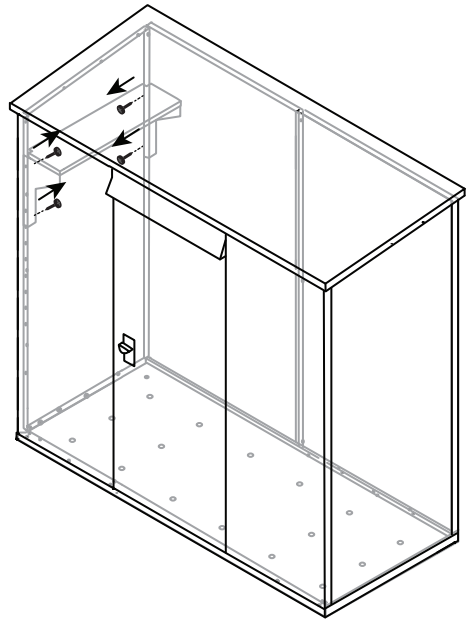
Power driver.



1



2



3

