

GLADIATOR & FLEXISTORE SHELF



COMPATIBILITY

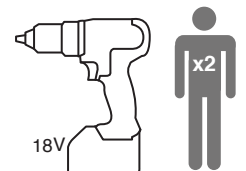
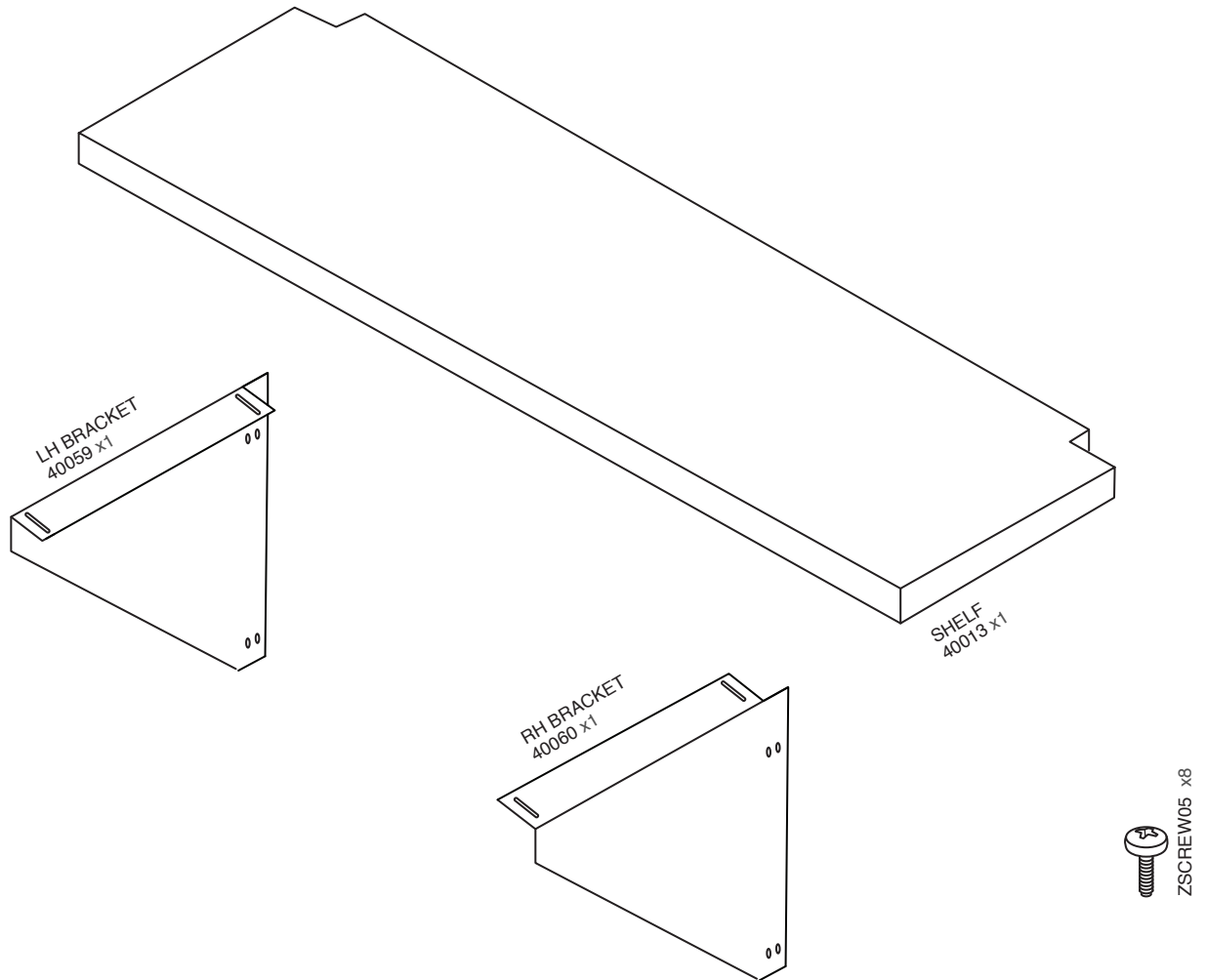
Suitable for a Flexistore 1522, Flexistore 1533, Gladiator, Gladiator Plus 1, Gladiator Plus 2 and Gladiator Motorbike/ Cycle Units.

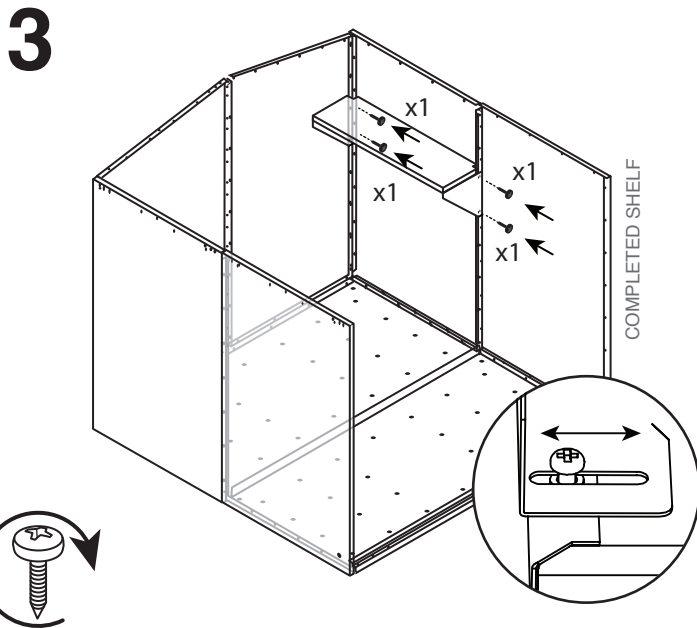
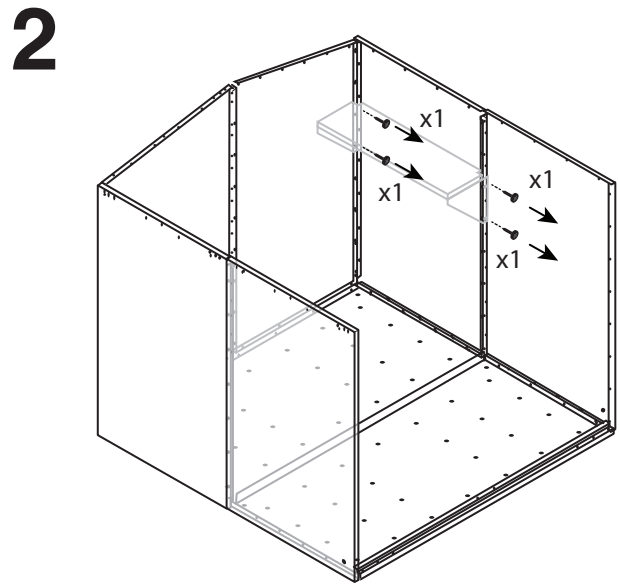
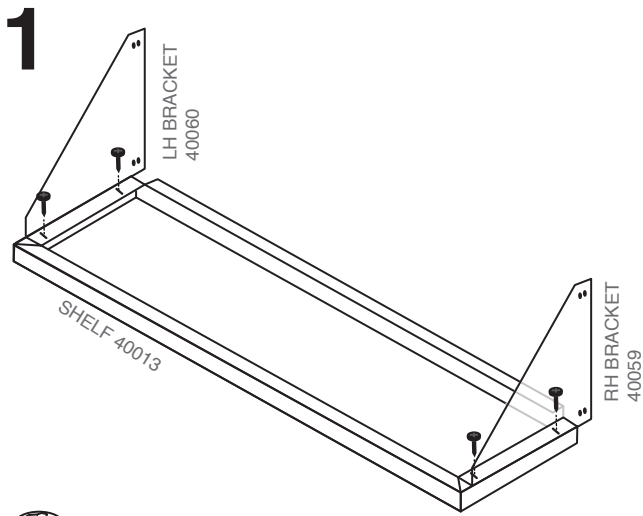
Instructions are illustrated on a Gladiator shed, however the method applies to both ranges and fits to the side of the shed.

CAPACITY Shelves can be fitted one above the other up to three high.

WEIGHT ALLOWANCE Maximum weight of 50Kg evenly distributed

TOOLS REQUIRED Power driver.





4

WHEN INSTALLING SHELVES SIDE BY SIDE USE TWO BRACKETS BACK TO BACK

