

## ACCESS SHELVES

### COMPATIBILITY

Access and Access Plus only.

### WEIGHT ALLOWANCE

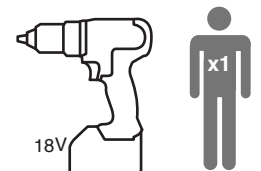
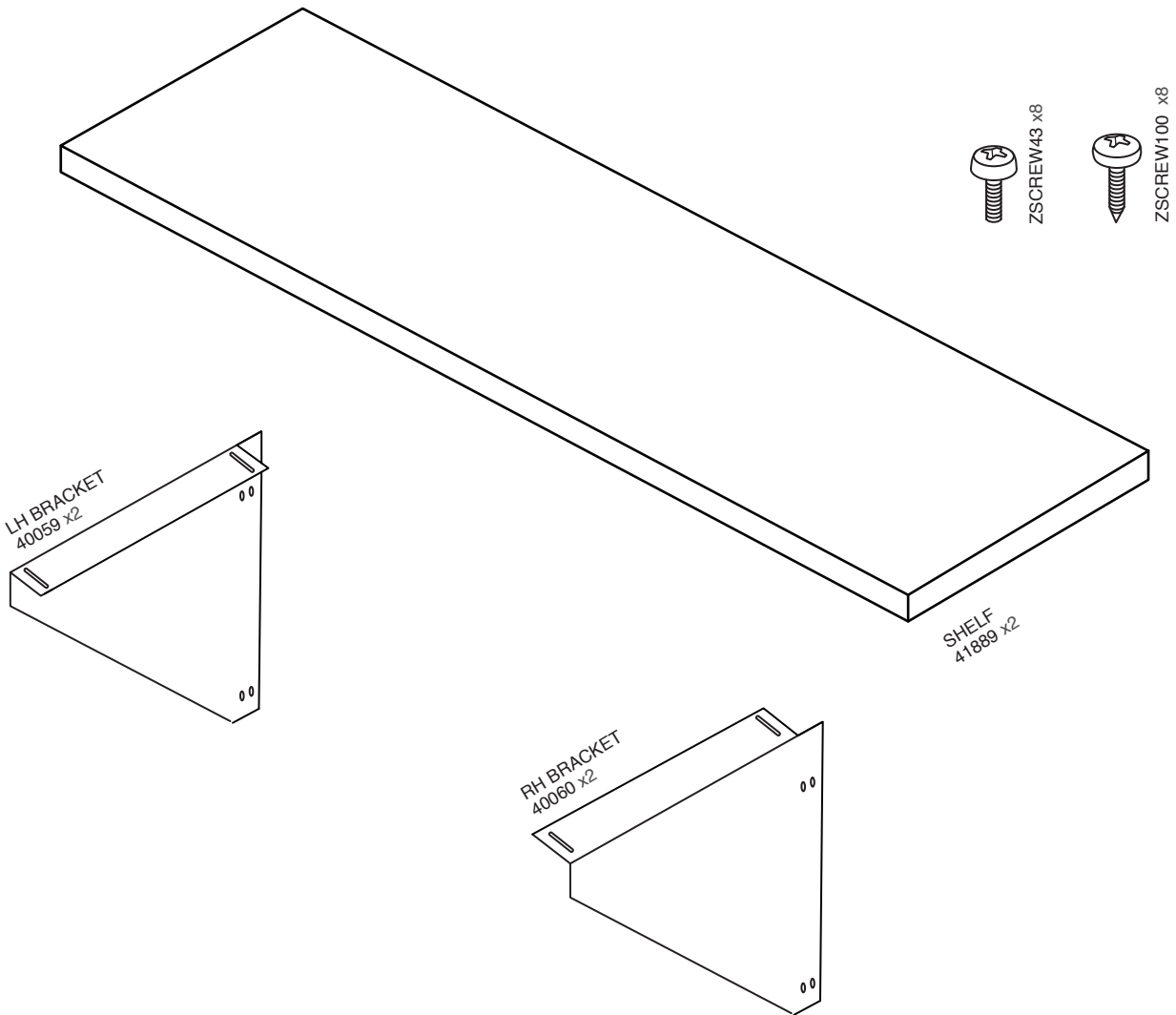
Maximum weight of 50Kg evenly distributed

### CAPACITY

4 shelves maximum. Supplied in packs of 2.

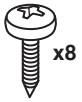
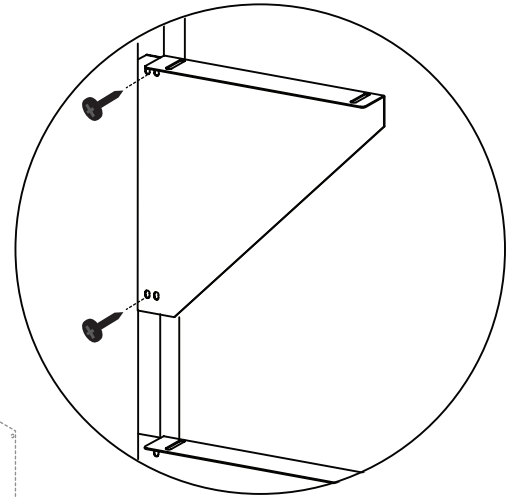
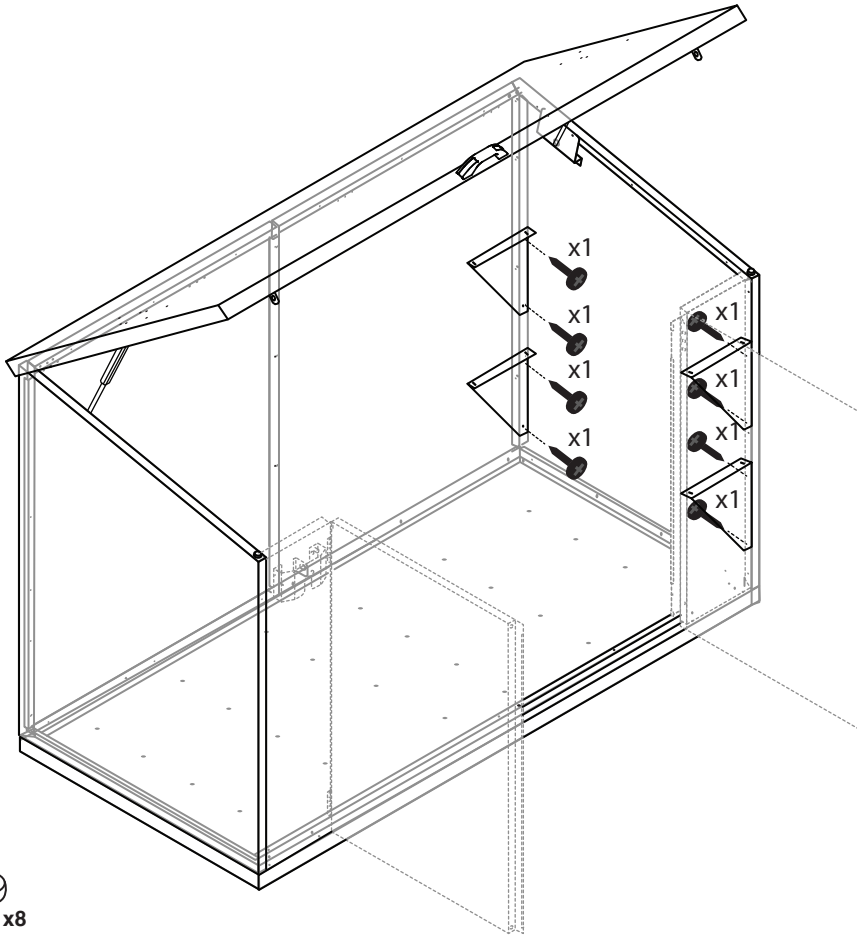
### TOOLS REQUIRED

Power driver POSI-DRIV screwdriver.

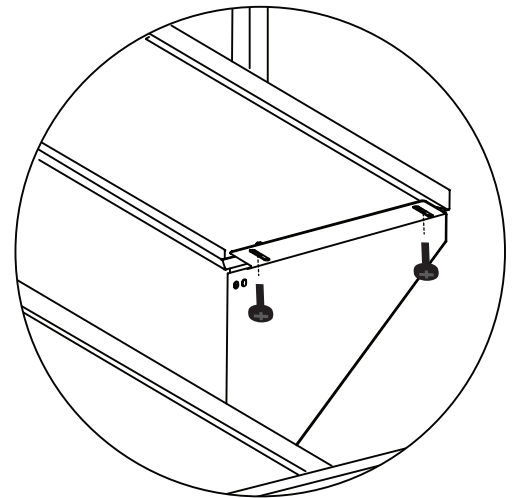
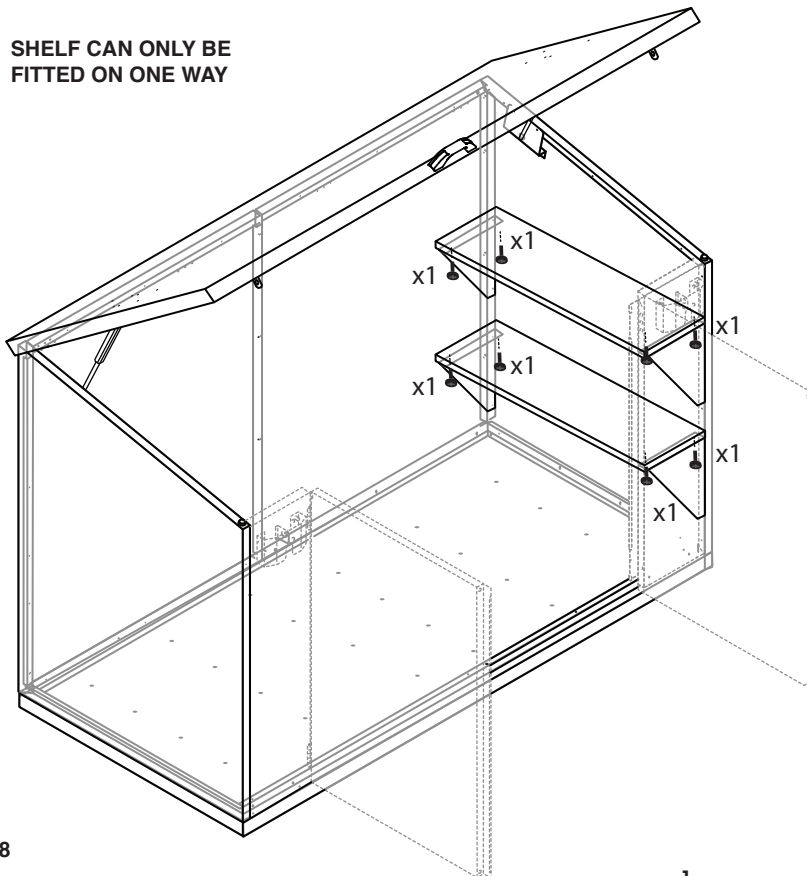


NOTE: MAXIMUM 4 SHELVES PER UNIT

1



2! SHELF CAN ONLY BE FITTED ON ONE WAY



[www.asgardsss.co.uk](http://www.asgardsss.co.uk)