

TROJAN

BASE INSTRUCTIONS

Flat and firm base. Recommended: concrete, tarmac or paving flags.
 Min. distance from walls/ shrubbery: 1000mm.
 Min. base size (WxDxH) 2350mm x 1100mm x 50mm.

LEVELING THE UNIT

Correctly level the constructed unit using the shims (ZCOMPPLAS) provided prior to fixing the unit to the ground. Slide the packing pieces under the corners of the unit base as required until an equal gap has been achieved around the door allowing for its smooth operation and alignment.

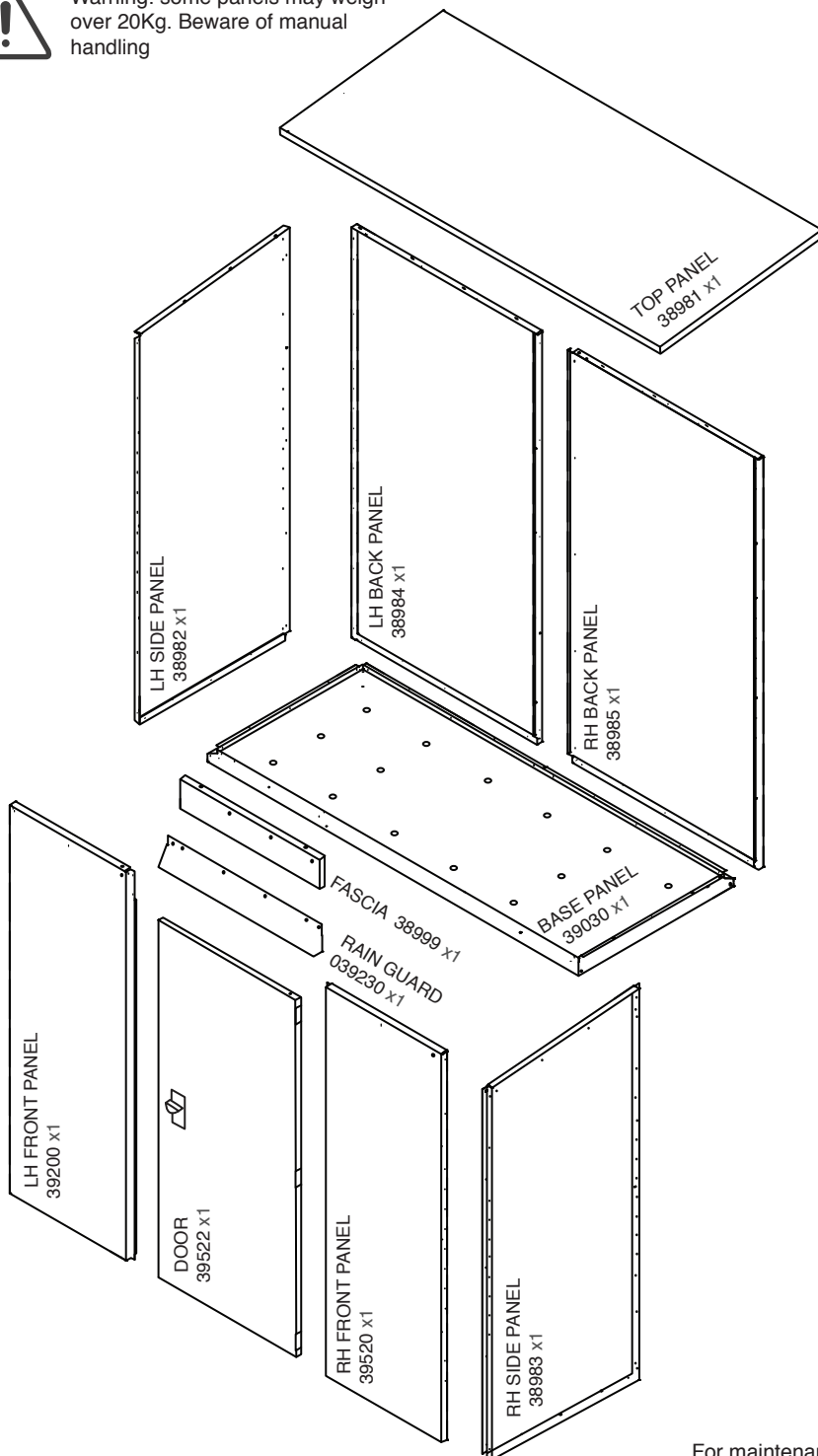
It is always recommended to anchor your unit to the ground. Drill through the four holes in the base of the unit using 6mm dia masonry drill to a depth of 70mm. Screw in the anchor fixings. (These have a self cutting thread). If not anchoring the unit, fit the self seal plugs BEFORE BUILDING to block the fixing holes from underneath.

TOOLS REQUIRED

Power driver POSI-DRIV screwdriver, 6mm dia. masonry drill and a 13mm socket or spanner.



Warning: some panels may weigh over 20Kg. Beware of manual handling



ZSCREW32 x4



ZCOMPPLZS02 x8



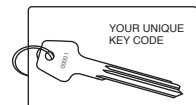
ZCOMPPLAS22-23-24 x12
 2x 2mm, 2x 3mm, 2x 5mm



ZSCREW340 x9



ZSCREW100 x126



Warning: Please keep this key card safe! Refer to if replacement key is required.



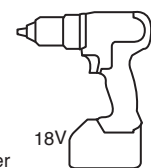
Posi-Drive Screwdriver



6mm Dia.



13mm Spanner



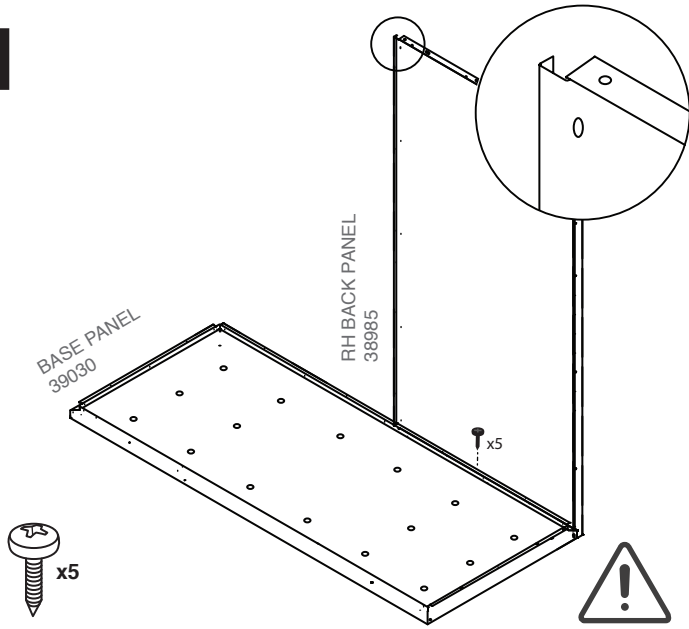
18V



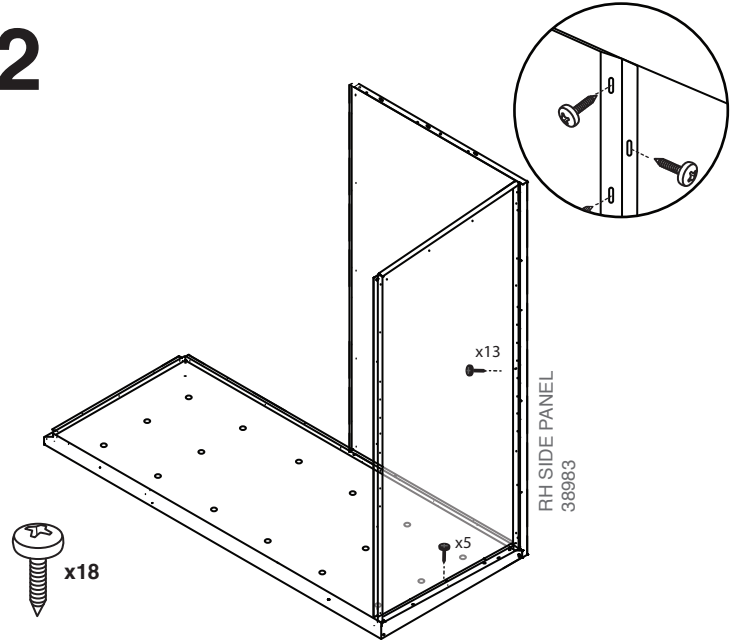
x2

PLEASE NOTE ALL SCREWS ARE FIXED FROM THE INSIDE

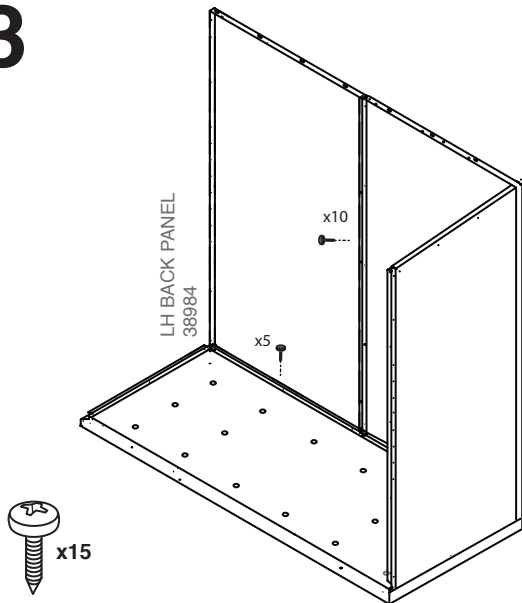
1



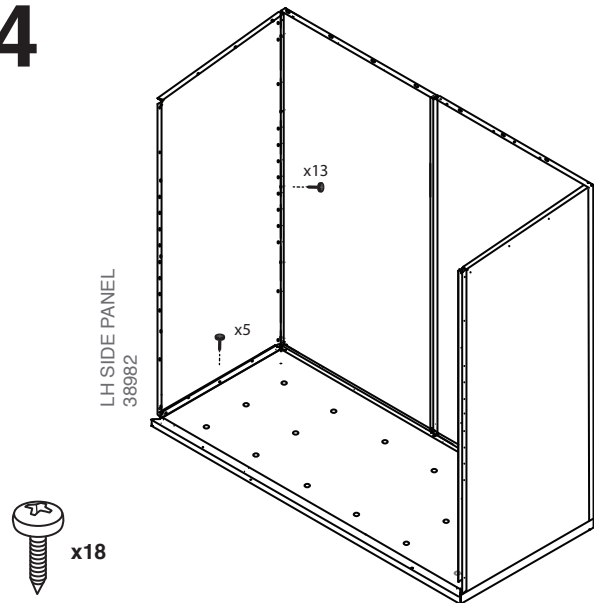
2



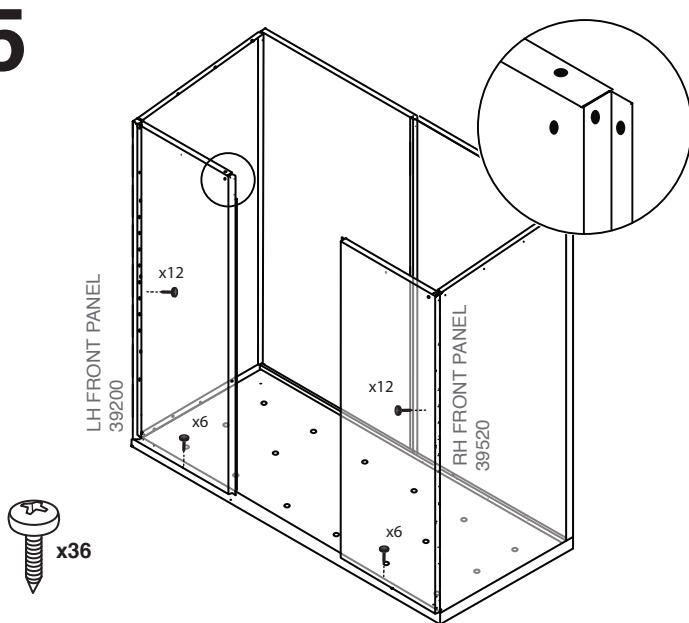
3



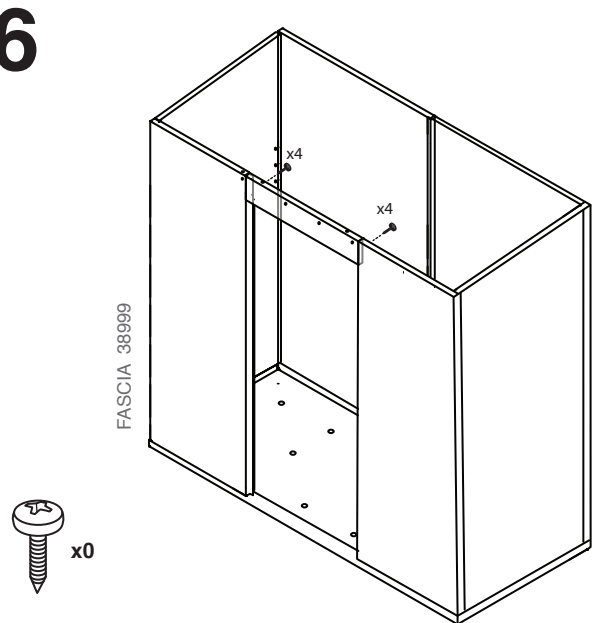
4



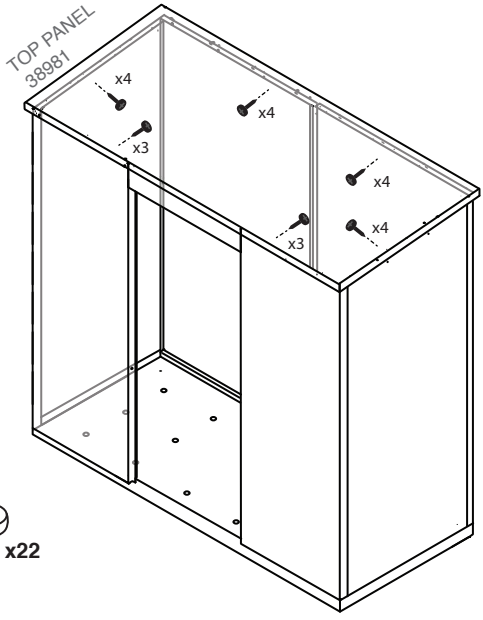
5



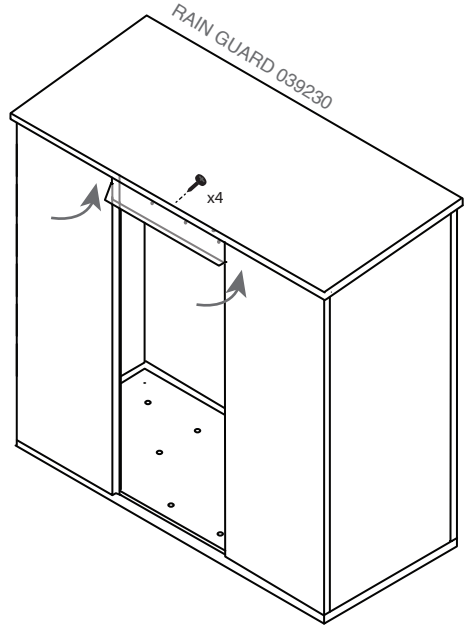
6



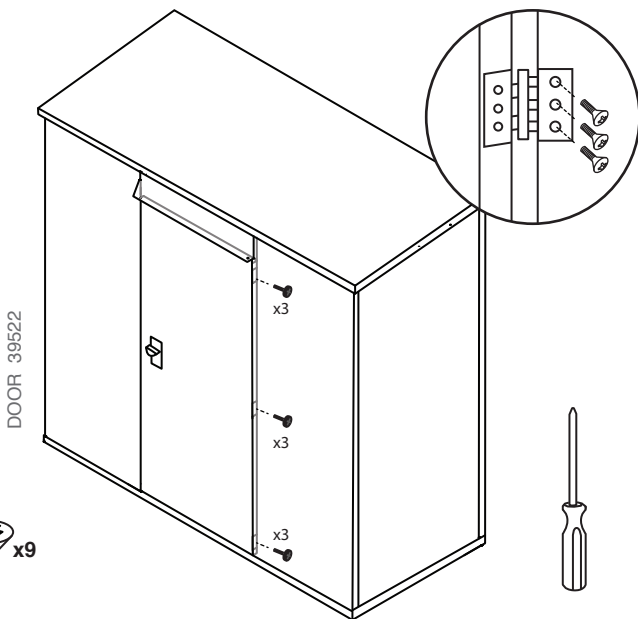
7



8



9



10

