

SMALL PARCEL BOX

BASE INSTRUCTIONS

Flat and firm base. Recommended: concrete, tarmac or paving flags.
 Min. distance from shrubbery: 1000mm.
 Min. base size (WxDxH) 450mm x 300mm x 50mm.

ANCHORING AND POSITIONING THE UNIT

Mark through the four holes in the bottom of the unit. Drill the slab / base using 6mm dia Masonry drill to a depth of 70mm. Screw in the anchor fixings. Fixing the box to the slab (These have a self cutting thread).

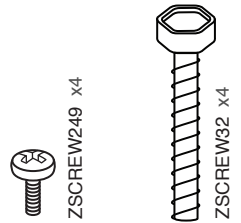
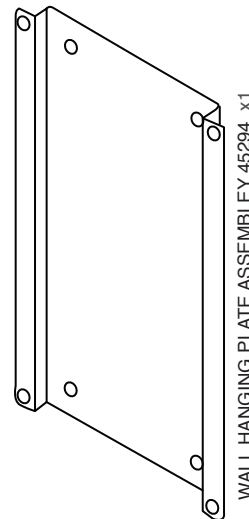
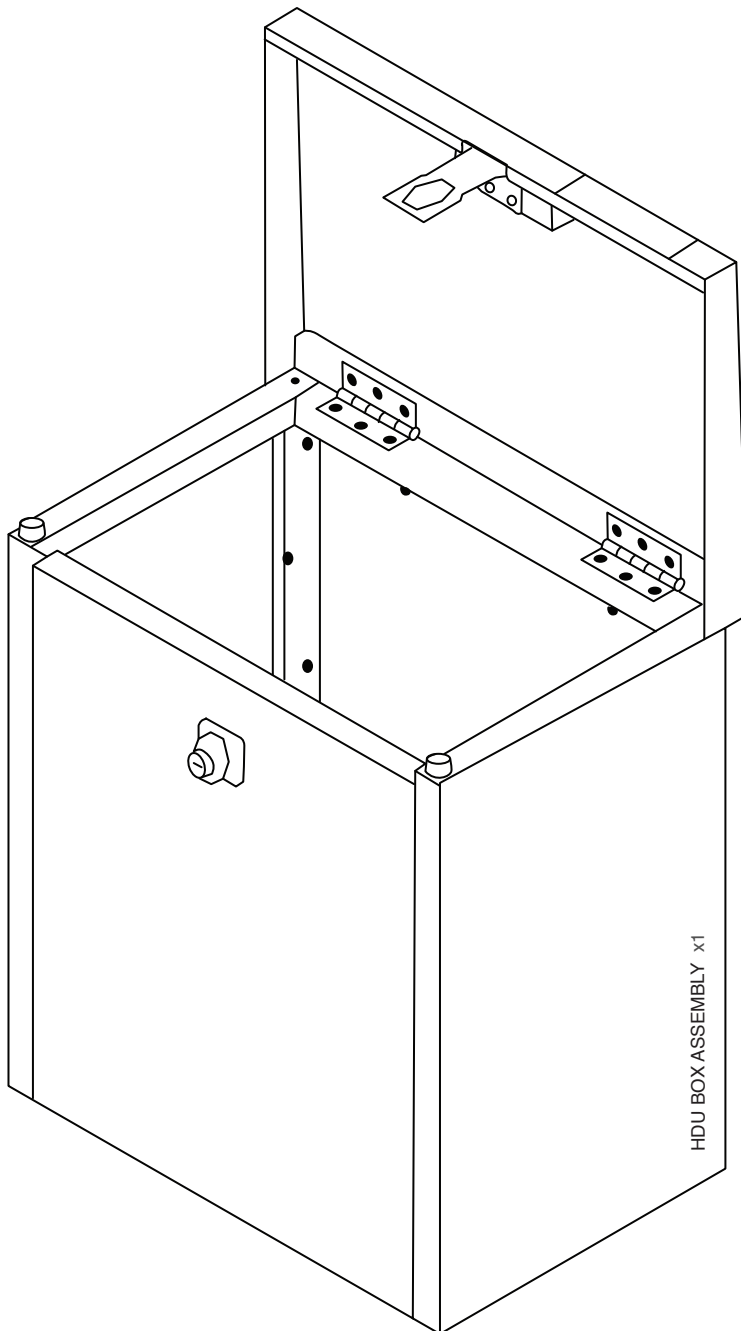
If hanging unit to the wall, secure the wall hanging plate to the wall first.

USING THE UNIT

To lock unit close lid with staple section. Turn lock to fasten. It is important you do not lock the unit with the key inside!

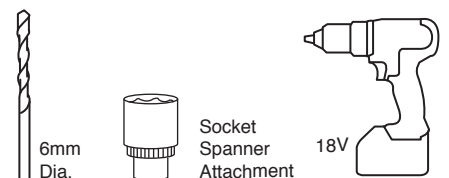
TOOLS REQUIRED

Power driver POSI-DRIV screwdriver, 6mm dia. masonry drill and a 13mm socket or spanner.



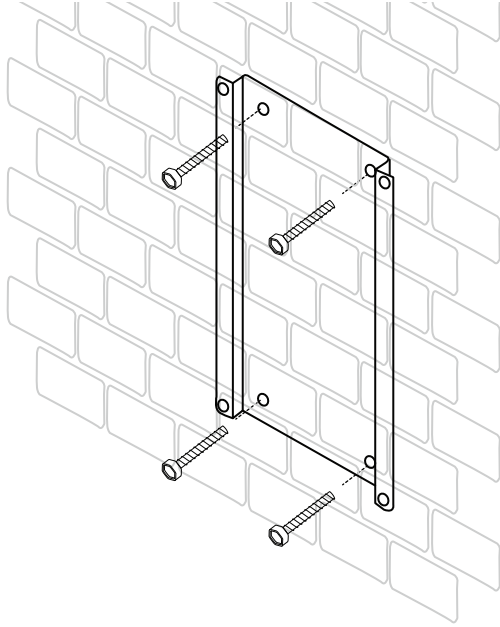
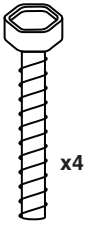
ZST197 x1

ASGARD DELIVERY BOX LABEL

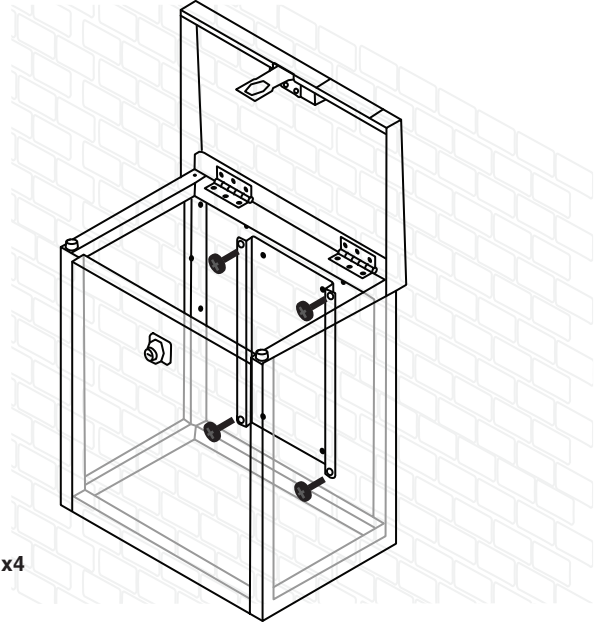


TWO MOUNTING OPTIONS AVAILABLE. OPTION 1: MOUNTING ON TO A WALL

1

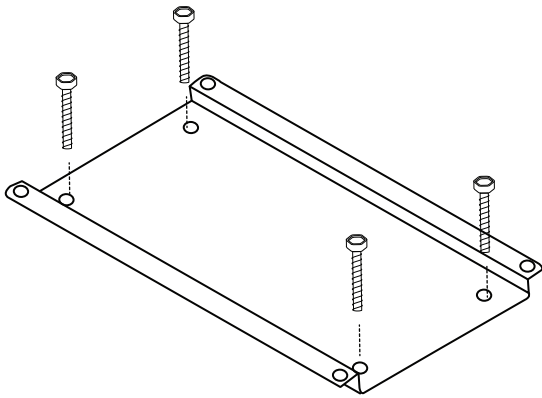
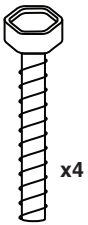


2



TWO MOUNTING OPTIONS AVAILABLE. OPTION 2: ANCHORING UNIT TO SLAB

1



2

