

## FLEXISTORE 1533

### BASE INSTRUCTIONS

Flat and firm base. Recommended: concrete, tarmac or paving flags.  
 Min. distance from walls/ shrubbery: 1000mm.  
 Min. base size (WxDxH) 1730mm x 3770mm x 50mm.

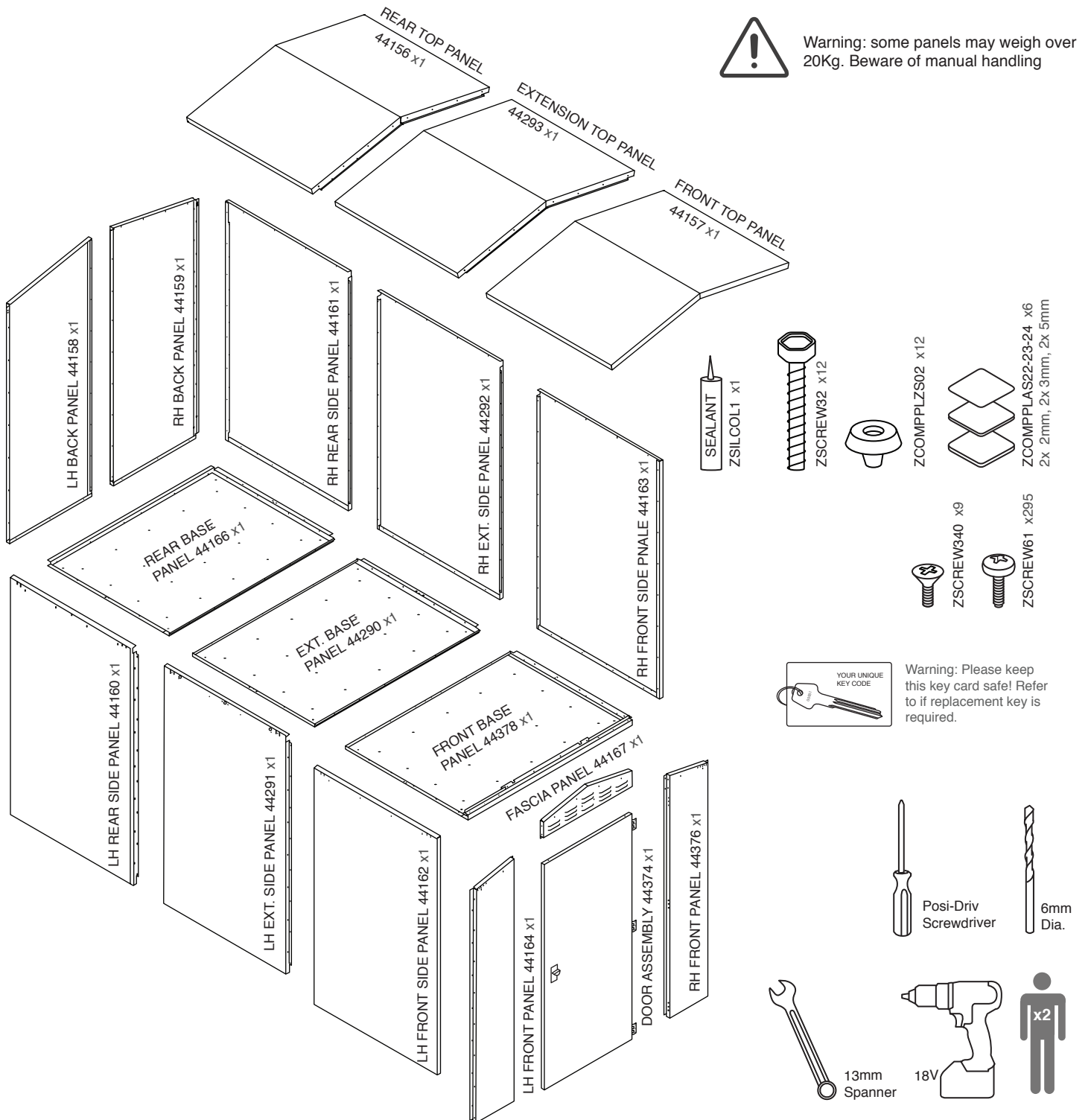
### LEVELING THE UNIT

Correctly level the constructed unit using the shims (ZCOMPPLAS) provided prior to fixing the unit to the ground. Slide the packing pieces under the corners of the unit base as required until an equal gap has been achieved around the door allowing for its smooth operation and alignment.

It is always recommended to anchor the unit to the ground. Drill through the four holes in the base of the unit using 6mm dia masonry drill to a depth of 70mm. Screw in the anchor fixings. (These have a self cutting thread). If not anchoring the unit, fit the self seal plugs BEFORE BUILDING to seal the fixing holes from underneath.

### TOOLS REQUIRED

Power driver POSI-DRIV screwdriver, 6mm dia. masonry drill, a 13mm socket or spanner.



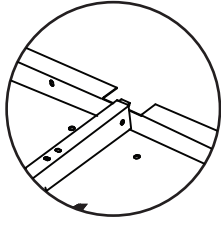
PLEASE NOTE ALL SCREWS ARE FIXED FROM THE INSIDE

1

REAR BASE  
PANEL 44166

EXT BASE PANEL  
44290

FRONT BASE  
PANEL 44378



x73

x13



2

RH BACK PANEL 44159

x3

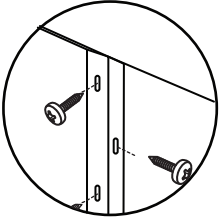


3

RH REAR SIDE PANEL 44161

x15

x7



4

LH BACK PANEL 44158

x16

x3



5

LH REAR SIDE PANEL 44160

x15

x7



6

REAR TOP PANEL 44156

x4

x4

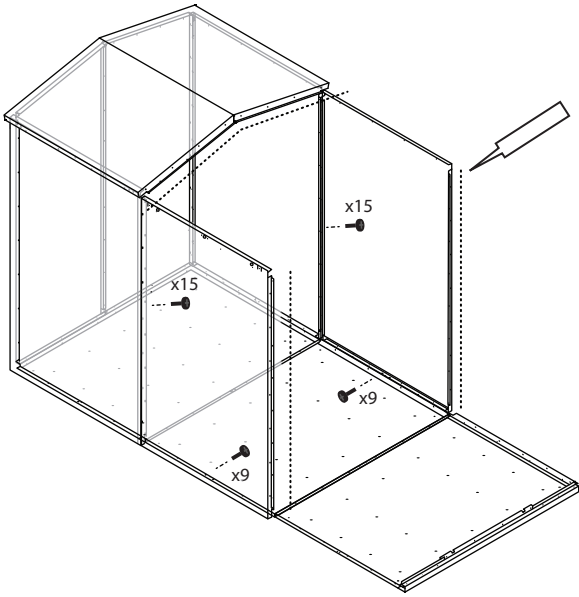
x4

x4



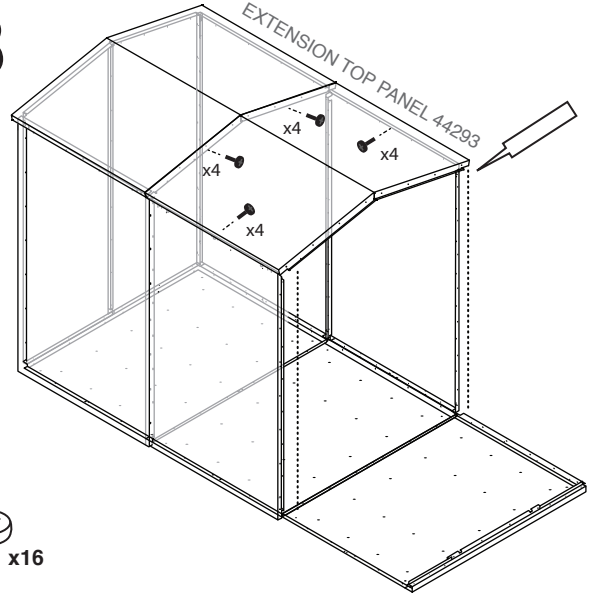
# 7

LH EXT. SIDE PANEL 44291  
RH EXT. SIDE PANEL 44292



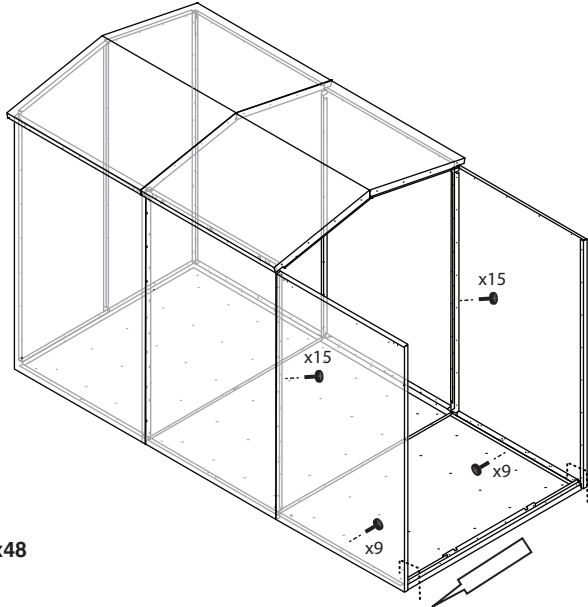
# 8

EXTENSION TOP PANEL 44293



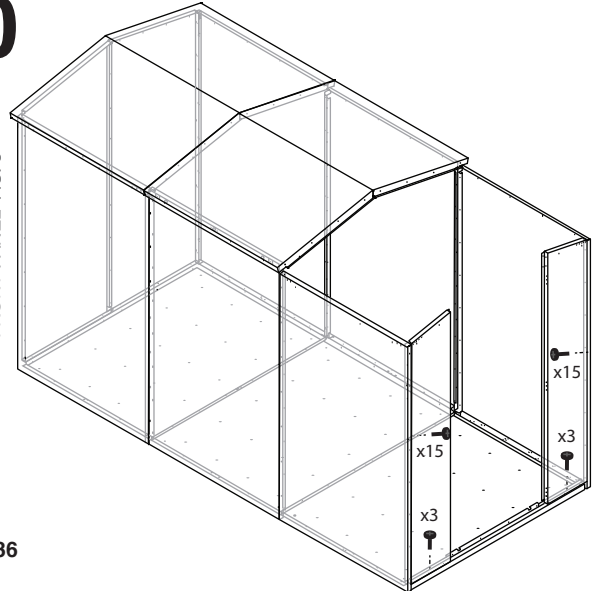
# 9

LH FRONT SIDE PANEL 44162  
RH FRONT SIDE PANEL 44163



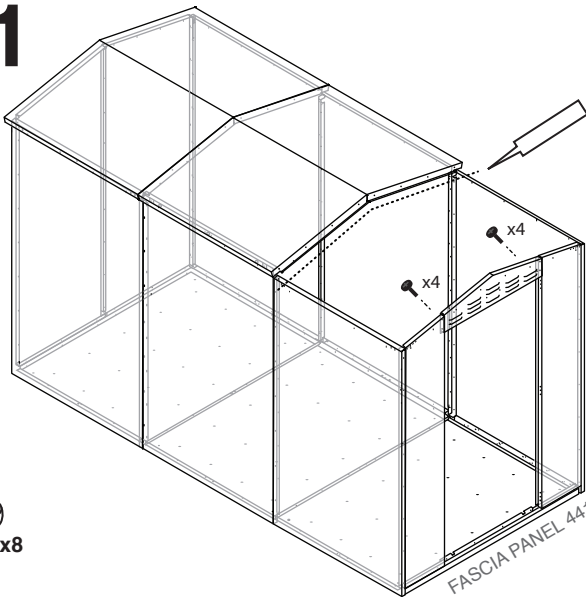
# 10

LH FRONT PANEL 44164  
RH FRONT PANEL 44376



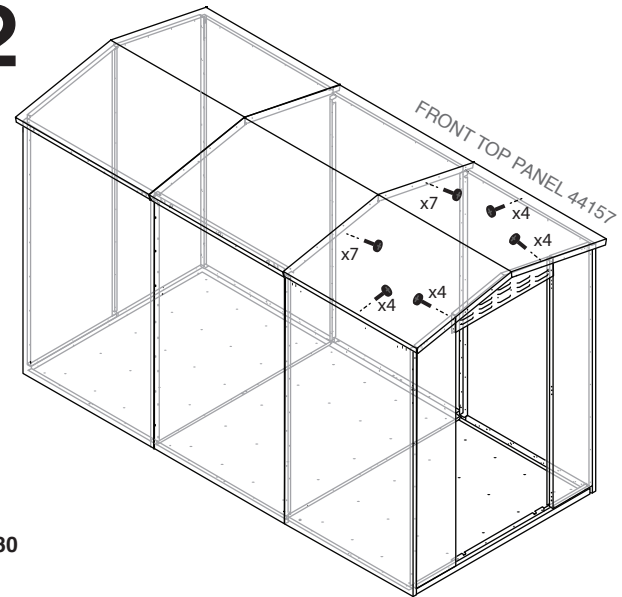
# 11

FASCIA PANEL 44167



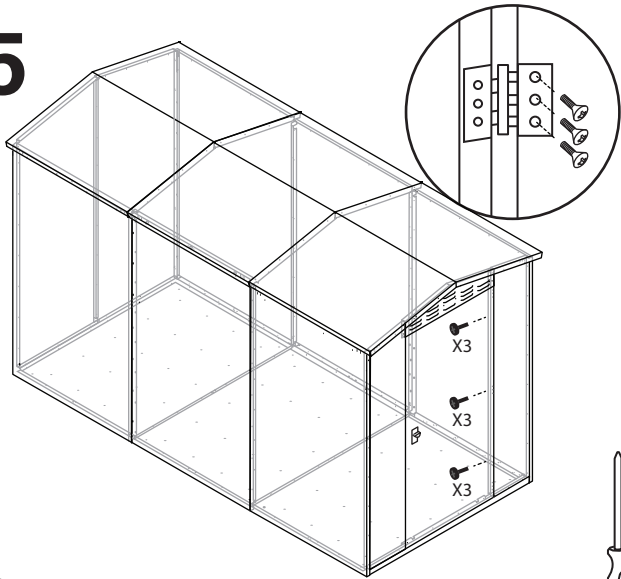
# 12

FRONT TOP PANEL 44157

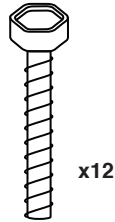


# 25

DOOR ASSEMBLY 44374



# 26



x12

# 27!

SEAL ALL INTERNAL CORNERS

