

## FLEXISTORE 1522

### BASE INSTRUCTIONS

Flat and firm base. Recommended: concrete, tarmac or paving flags.  
 Min. distance from walls/ shrubbery: 1000mm.  
 Min. base size (WxDxH) 1730mm x 2640mm x 50mm.

### LEVELING THE UNIT

Correctly level the constructed unit using the shims (ZCOMPPLAS) provided prior to fixing the unit to the ground. Slide the packing pieces under the corners of the unit base as required until an equal gap has been achieved around the door allowing for its smooth operation and alignment.

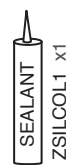
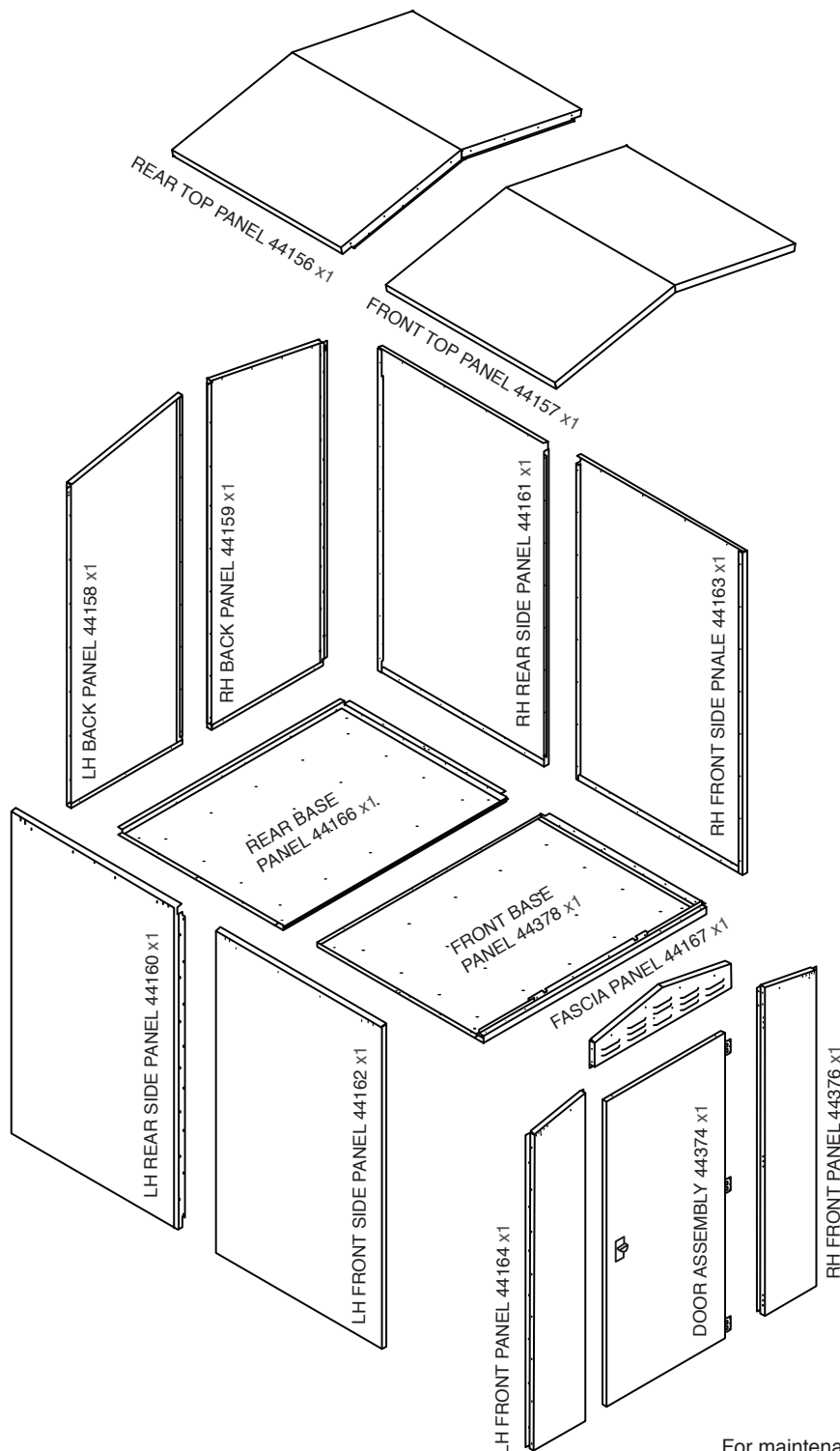
It is always recommended to anchor the unit to the ground. Drill through the four holes in the base of the unit using 6mm dia masonry drill to a depth of 70mm. Screw in the anchor fixings. (These have a self cutting thread). If not anchoring the unit, fit the self seal plugs BEFORE BUILDING to seal the fixing holes from underneath.

### TOOLS REQUIRED

Power driver POSI-DRIV screwdriver, 6mm dia. masonry drill, a 13mm socket or spanner.



Warning: some panels may weigh over 20Kg. Beware of manual handling



ZCOMPPLZS02 x8



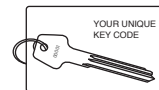
ZCOMPPLAS22-23-24 x6  
 2x 2mm, 2x 3mm, 2x 5mm



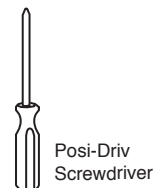
ZSCREW340 x9



ZSCREW61 x207

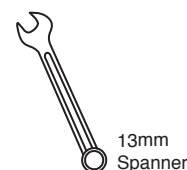


Warning: Please keep this key card safe! Refer to if replacement key is required.



Posi-Drive Screwdriver

6mm Dia.



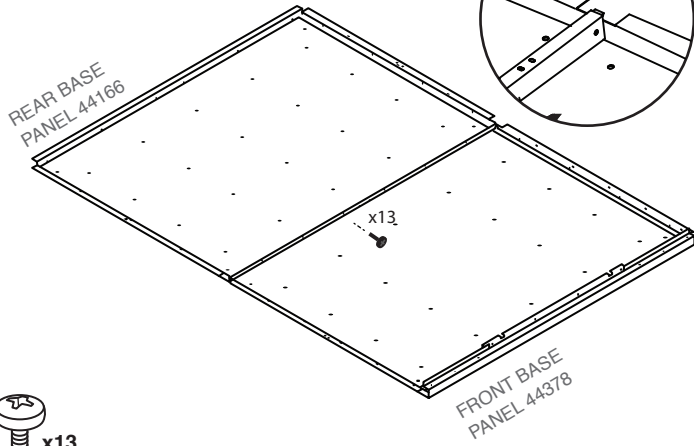
13mm Spanner

18V

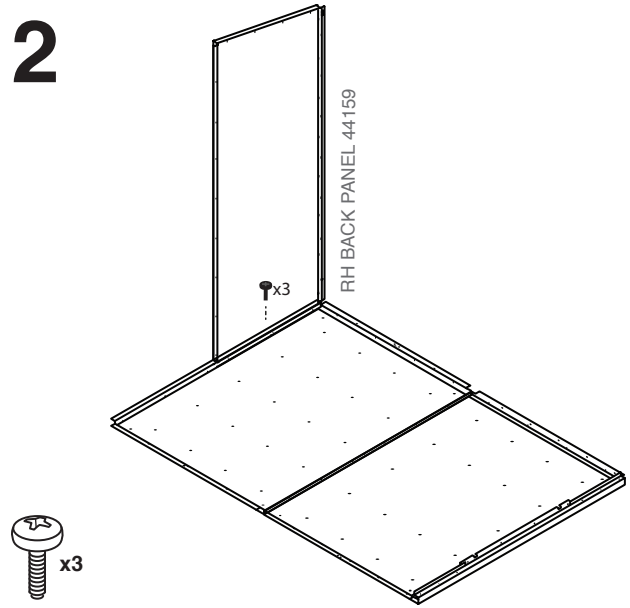


PLEASE NOTE ALL SCREWS ARE FIXED FROM THE INSIDE

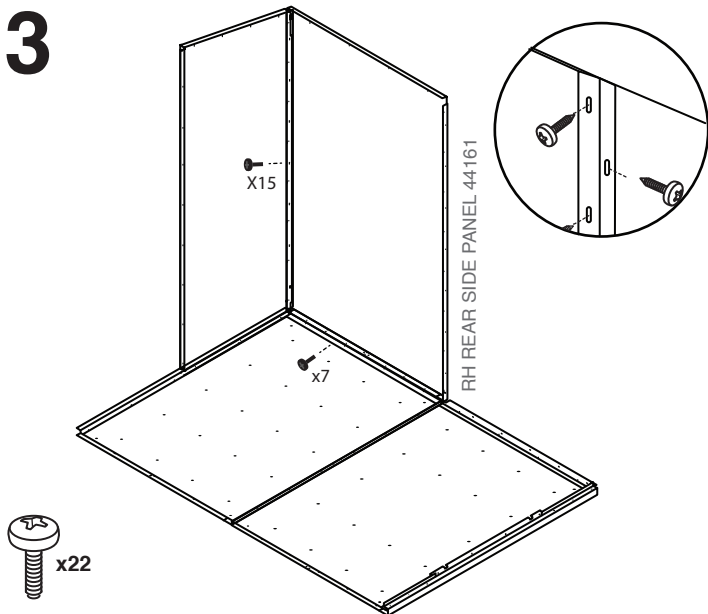
1



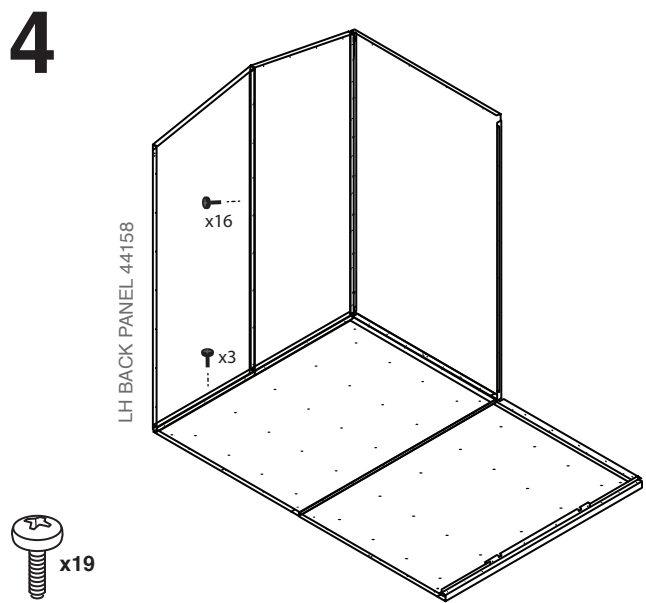
2



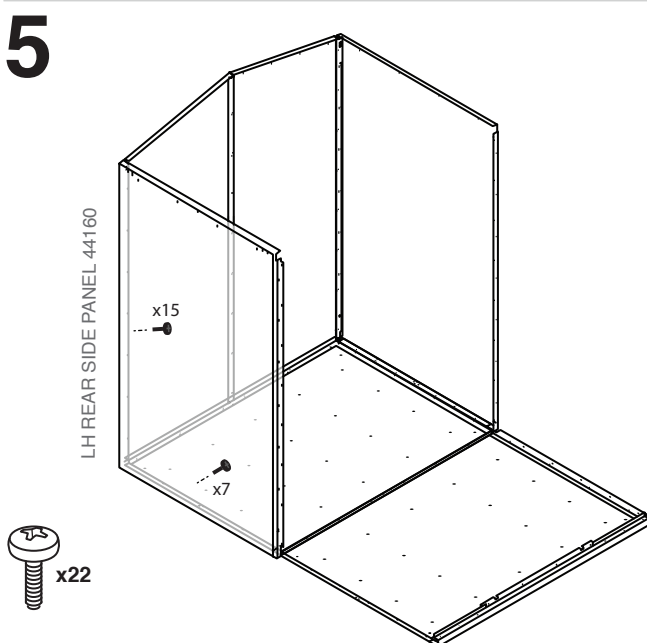
3



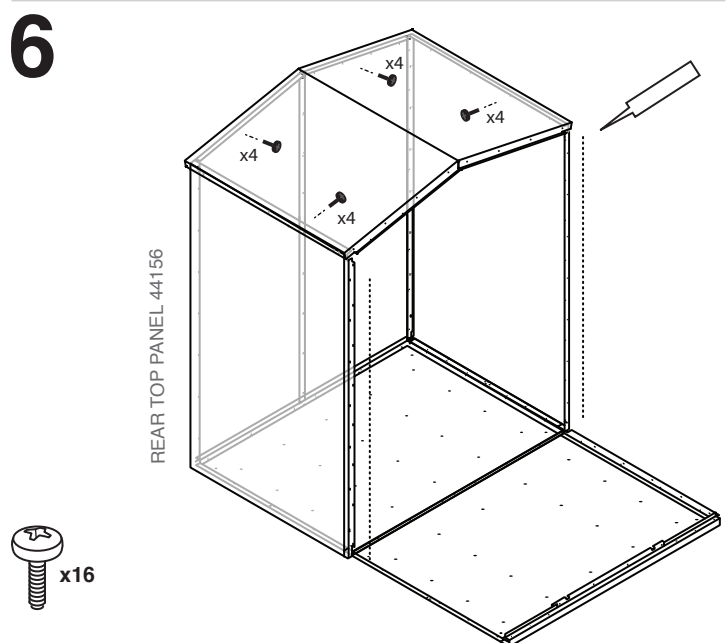
4



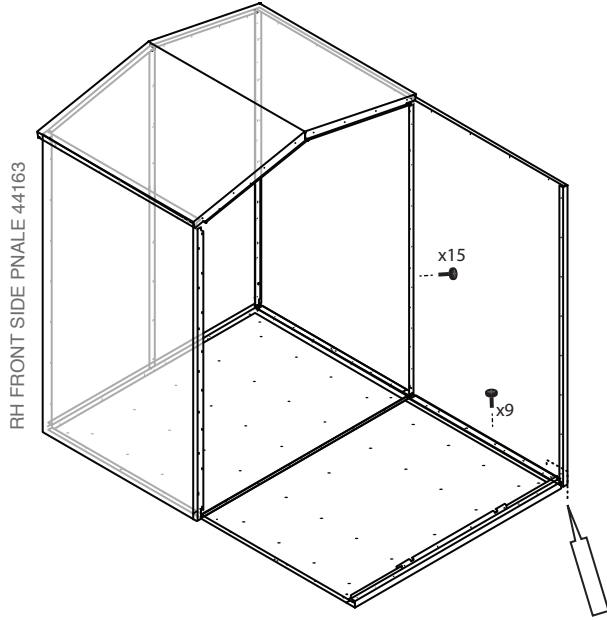
5



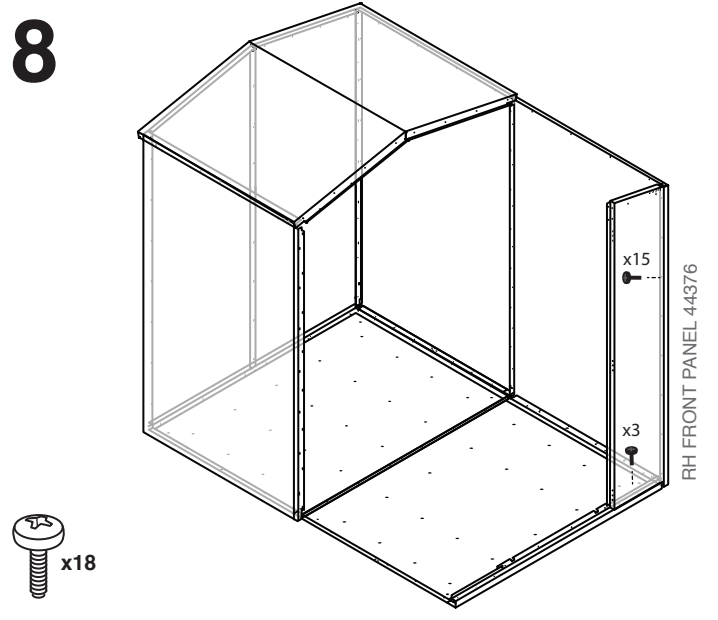
6



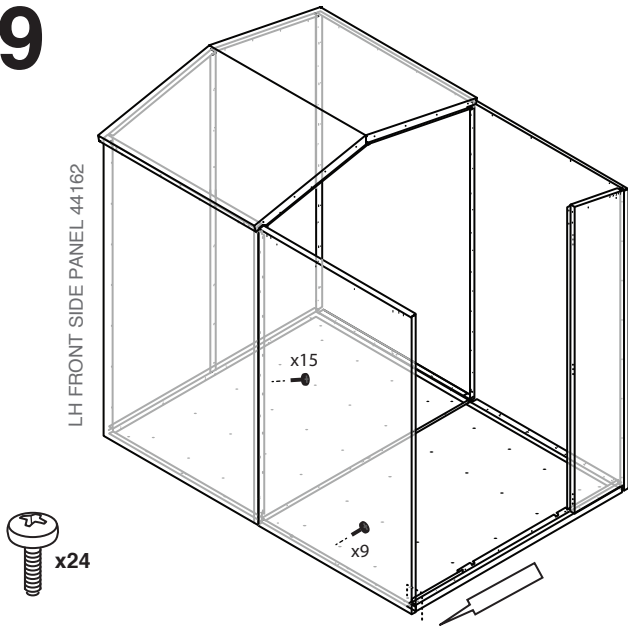
7



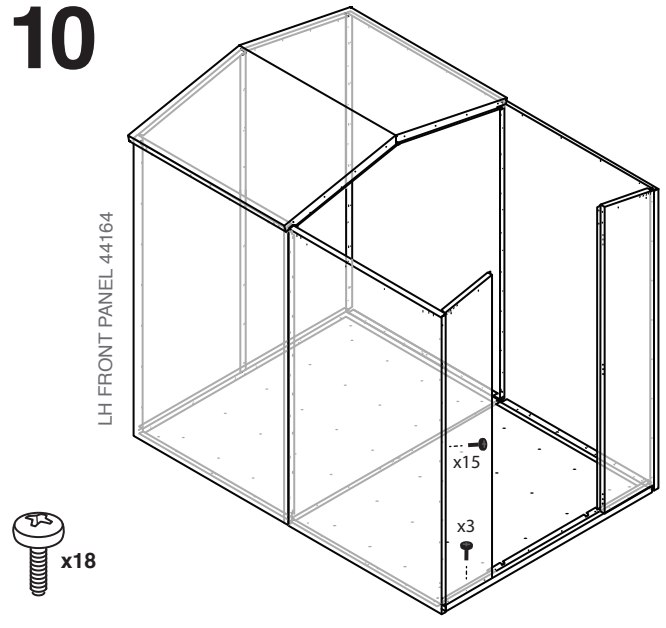
8



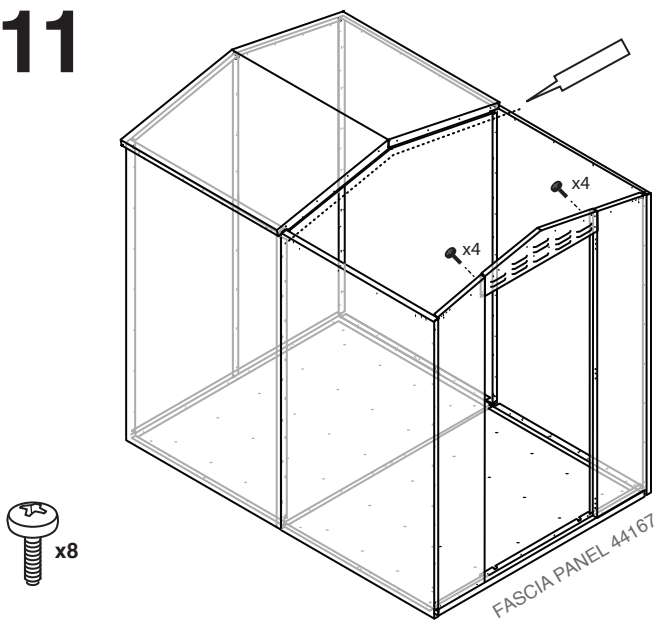
9



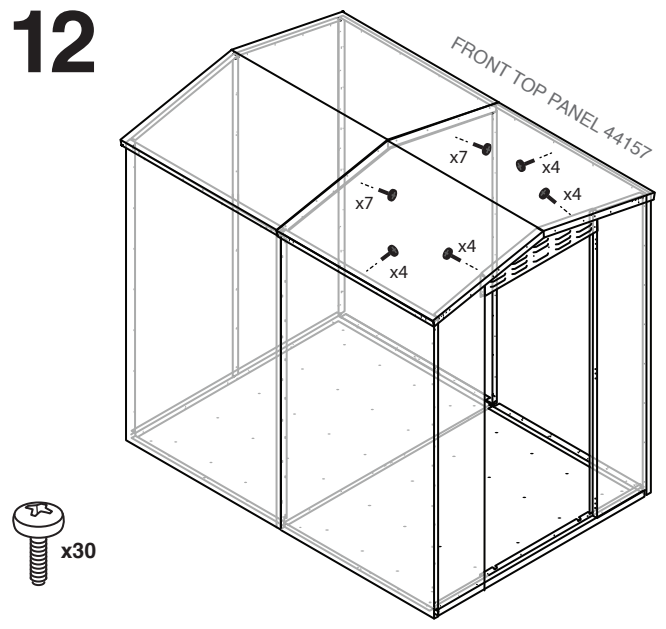
10



11

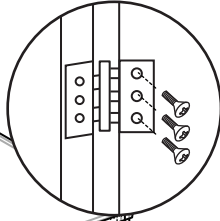


12

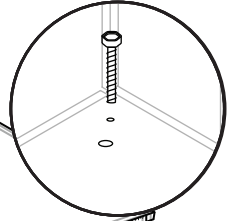


25

DOOR ASSEMBLY 44374



26



27! SEAL ALL INTERNAL CORNERS

