

VANGARD

BASE INSTRUCTIONS

Flat and firm base. Recommended: concrete, tarmac or paving flags.
 Min. distance from walls/ shrubbery: 1000mm.
 Min. base size (WxDxH) 1600mm x 1000mm x 50mm.

LEVELING THE UNIT

Correctly level the constructed unit using the shims (ZCOMPPLAS) provided prior to fixing the unit to the ground. Slide the packing pieces under the corners of the unit base as required until an equal gap has been achieved around the door allowing for its smooth operation and alignment.

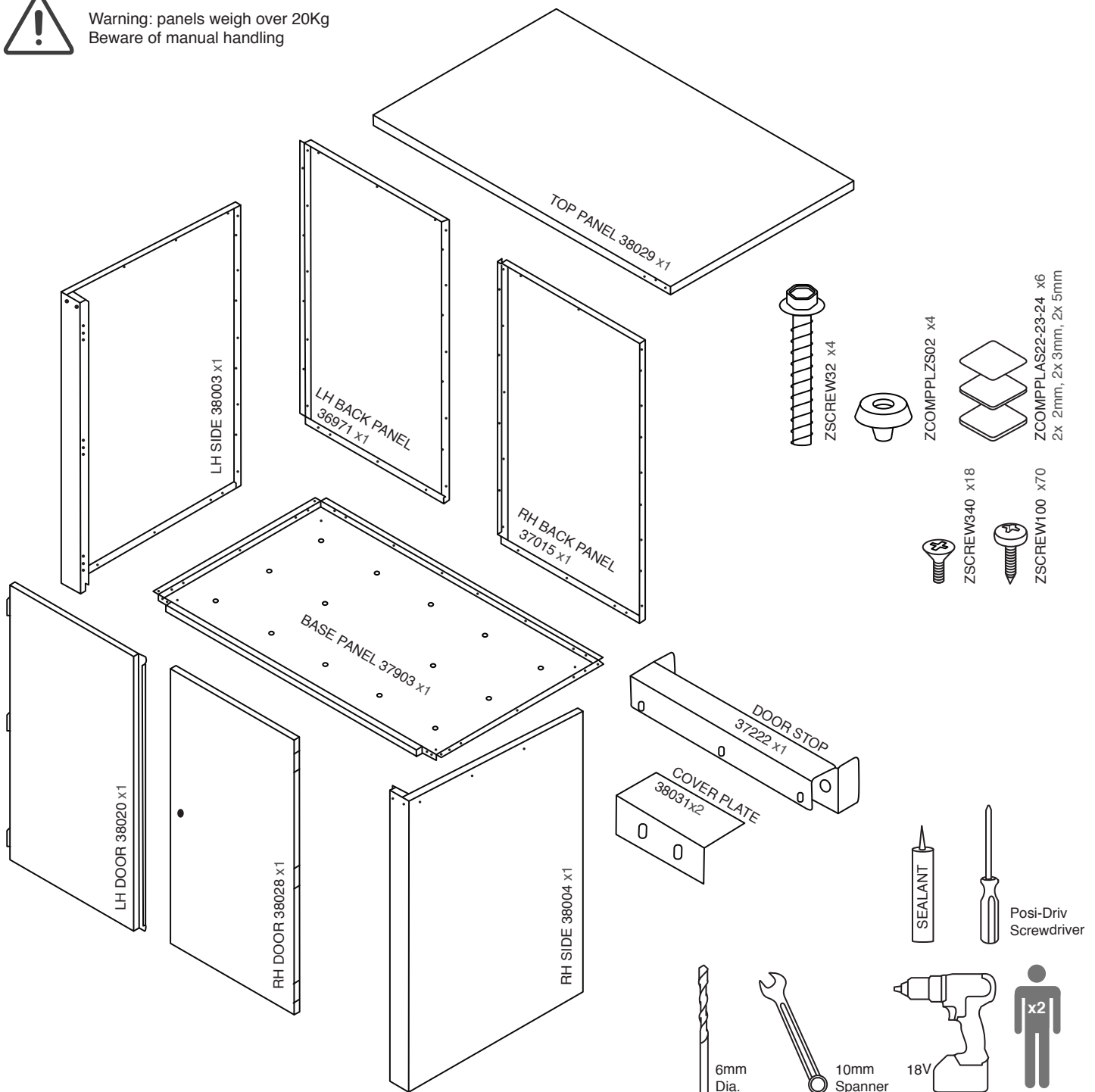
Drill through the four holes in the base of the unit using 6mm dia masonry drill to a depth of 70mm. Screw in the anchor fixings. (These have a self cutting thread). If not anchoring the unit, fit the self seal plugs BEFORE BUILDING to seal the fixing holes from underneath.

TOOLS REQUIRED

Power driver POSI-DRIV screwdriver, 6mm dia. masonry drill, a 10mm socket spanner and all weather sealant suitable for steel and concrete.

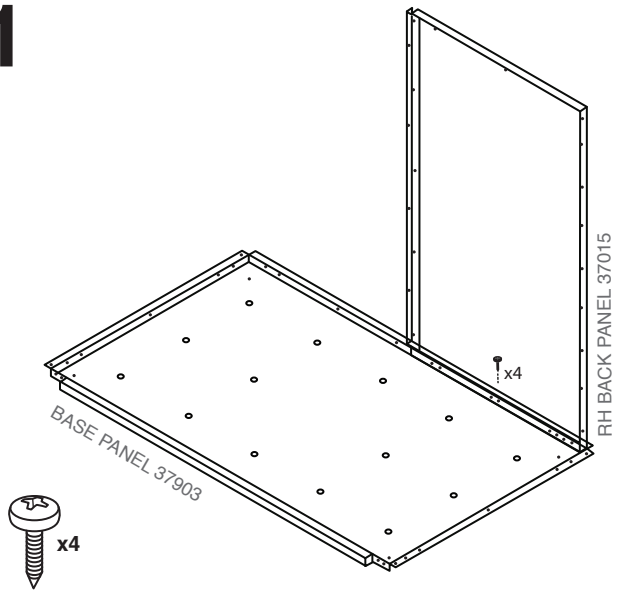


Warning: panels weigh over 20Kg
 Beware of manual handling

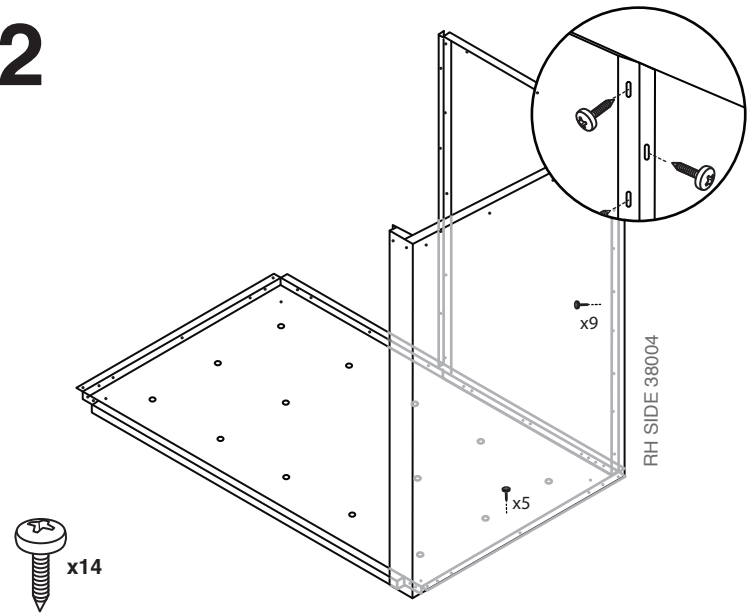


PLEASE NOTE ALL SCREWS ARE FIXED FROM THE INSIDE

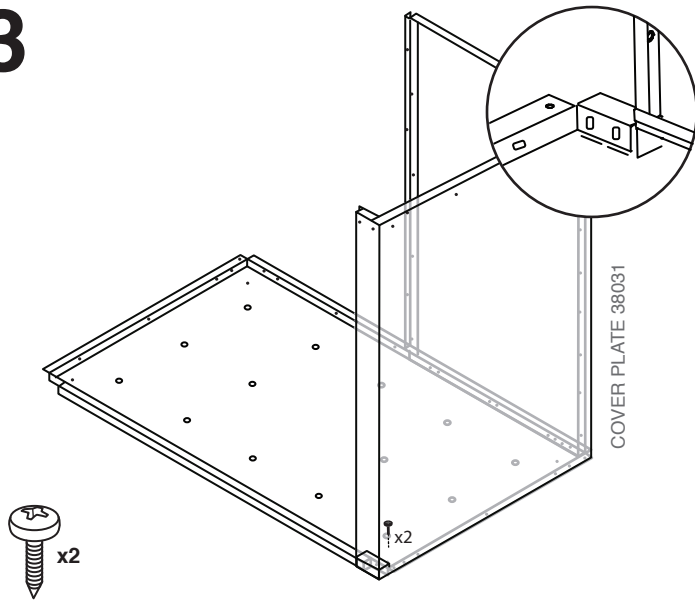
1



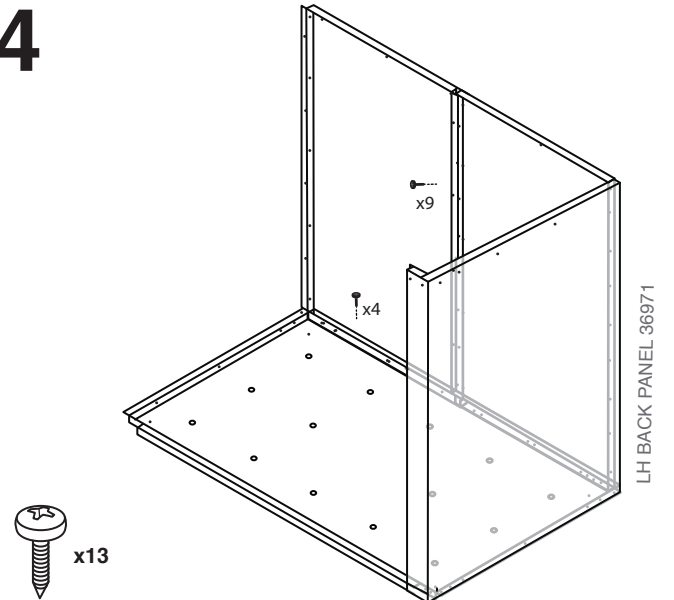
2



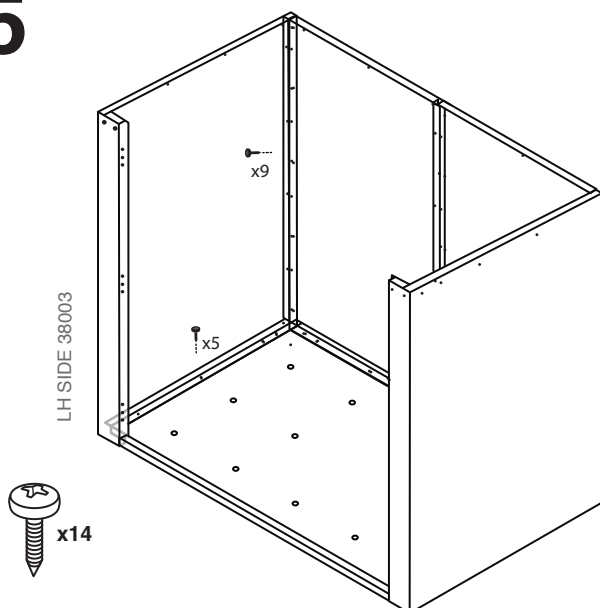
3



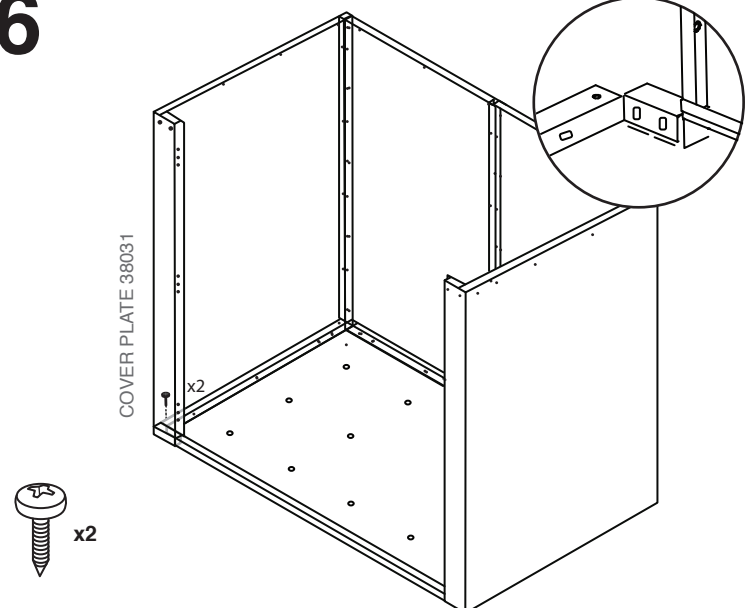
4



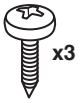
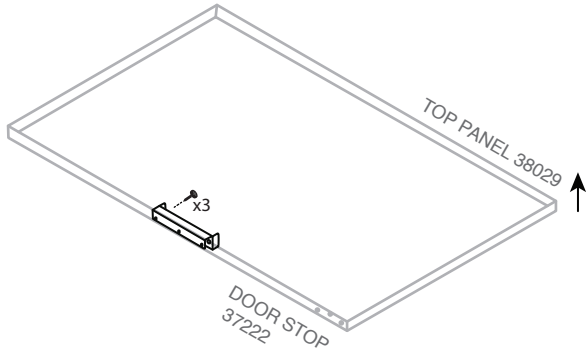
5



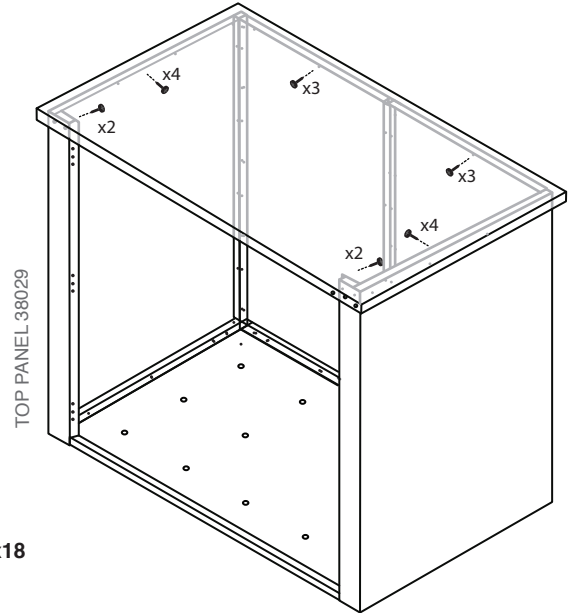
6



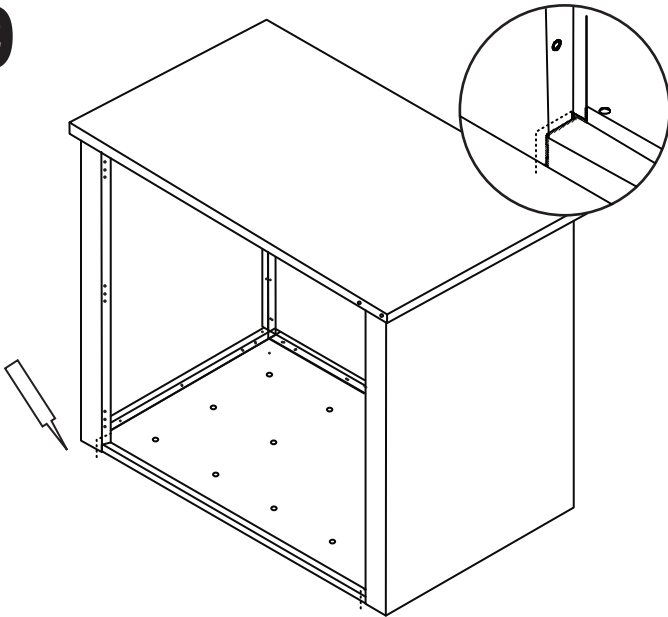
7 PLEASE NOTE THIS PANEL IS UPSIDE DOWN AND FIXES TO THE FRONT OF THE PANEL



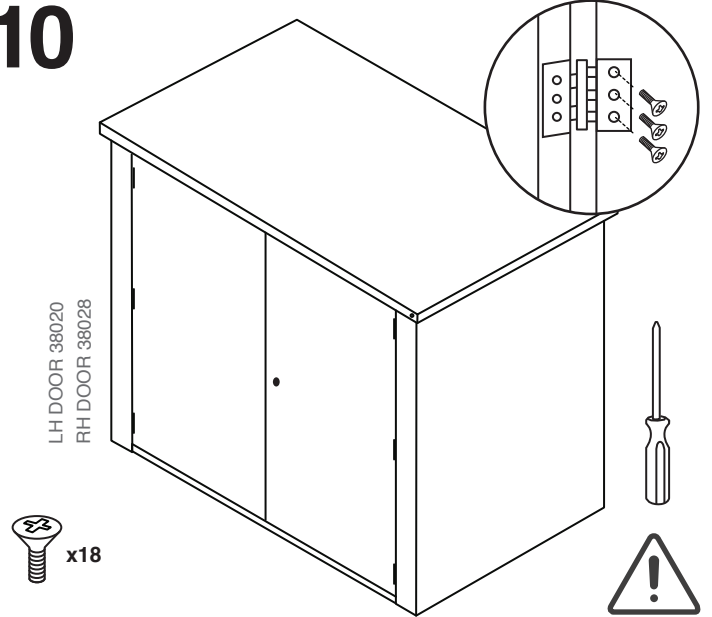
8



9



10



11

